

**Structure ID: 556+50 RT CBI-A, 4-2**

**P1 BX2436-08BVF BOX BASE 8inW, 8inF, Variable Ht**

P3) 24" x 120" - CBITA10-TL - CB INLET KY A 10' TOP LEFT - 0.833' P2) 24" x 120" - CBITA10-BL - CB INLET KY A 10' BOTTOM LEFT - 1.5' P1) 24" x 36" - BX2436-08BVF - BOX BASE 8inW, 8inF, Variable Ht - 3.167' 1) 24" x 36" - SGL 1"x14.5' Butyl - 0' 1) Hole - 0' 1) Hole - 0' 2) Hole - 0'	<table style="width:100%; border-collapse: collapse;"> <tr><td>3400 lb</td></tr> <tr><td>5270 lb</td></tr> <tr><td>4797 lb</td></tr> <tr><td>0 lb</td></tr> <tr><td>0 lb</td></tr> <tr><td>0 lb</td></tr> <tr><td>0 lb</td></tr> <tr><td>0 lb</td></tr> <tr><td style="border-top: 1px solid black;">13467 lb</td></tr> </table> Structure Total: 13467 lb	3400 lb	5270 lb	4797 lb	0 lb	0 lb	0 lb	0 lb	0 lb	13467 lb
3400 lb										
5270 lb										
4797 lb										
0 lb										
0 lb										
0 lb										
0 lb										
0 lb										
13467 lb										

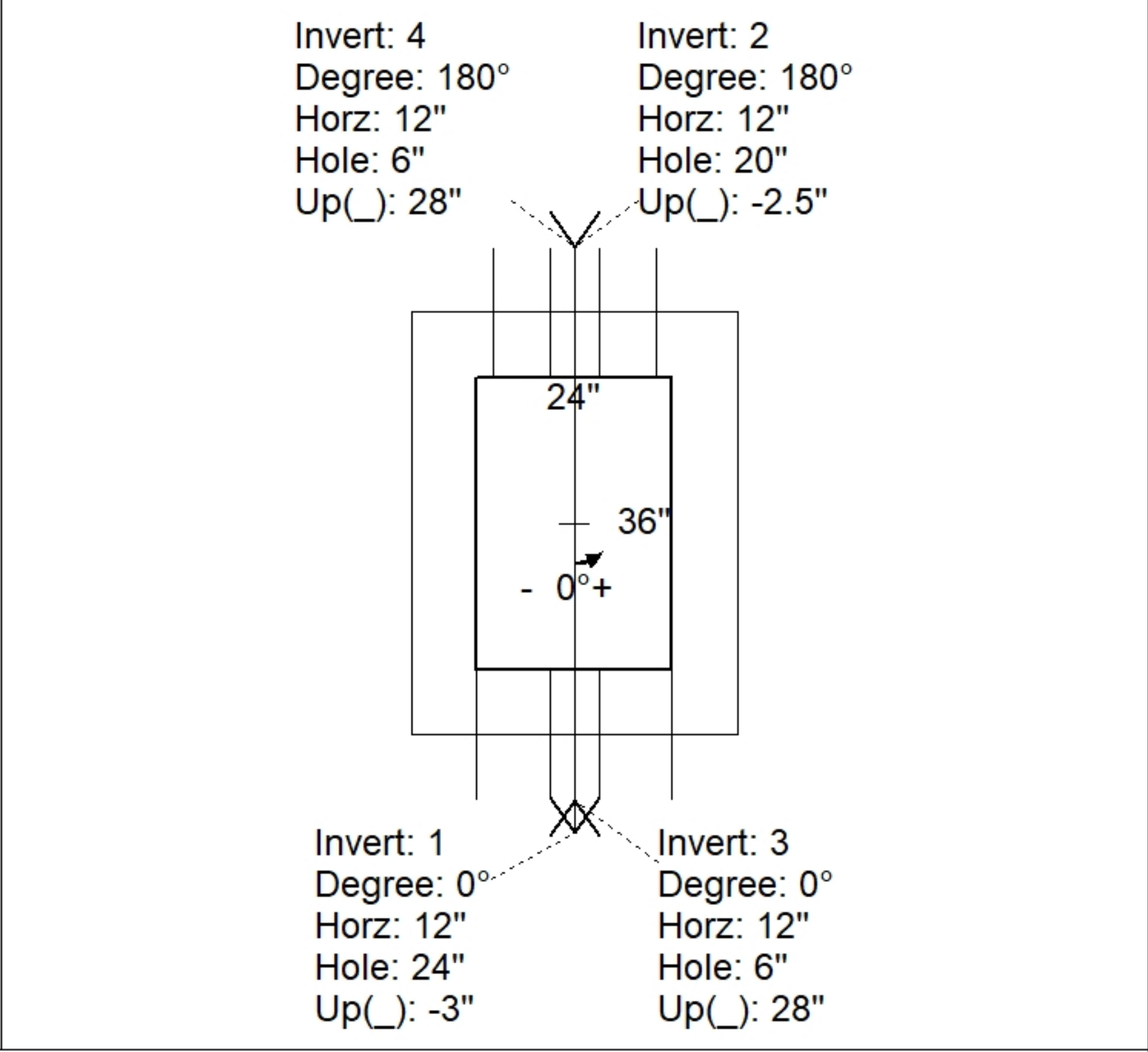
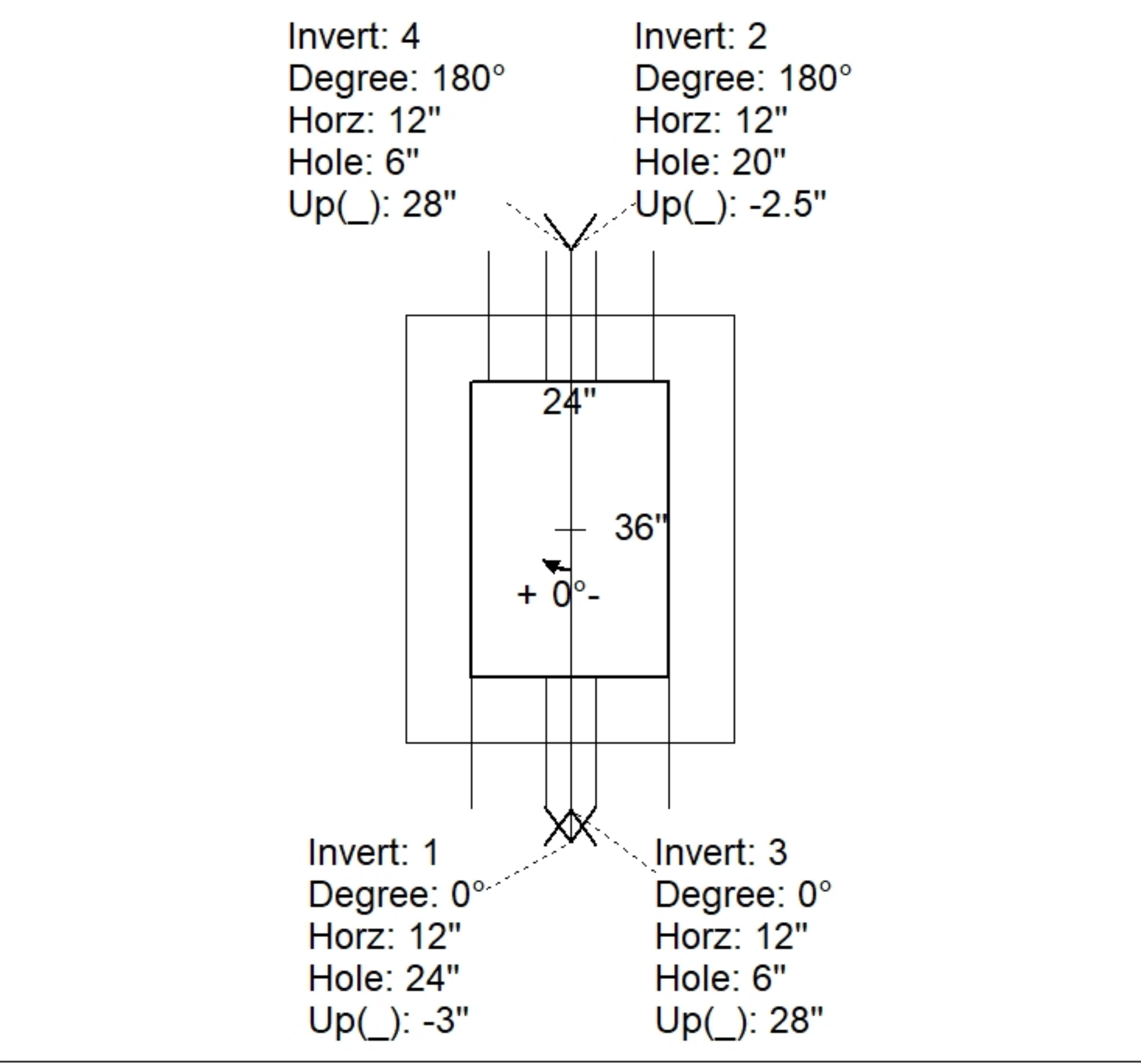
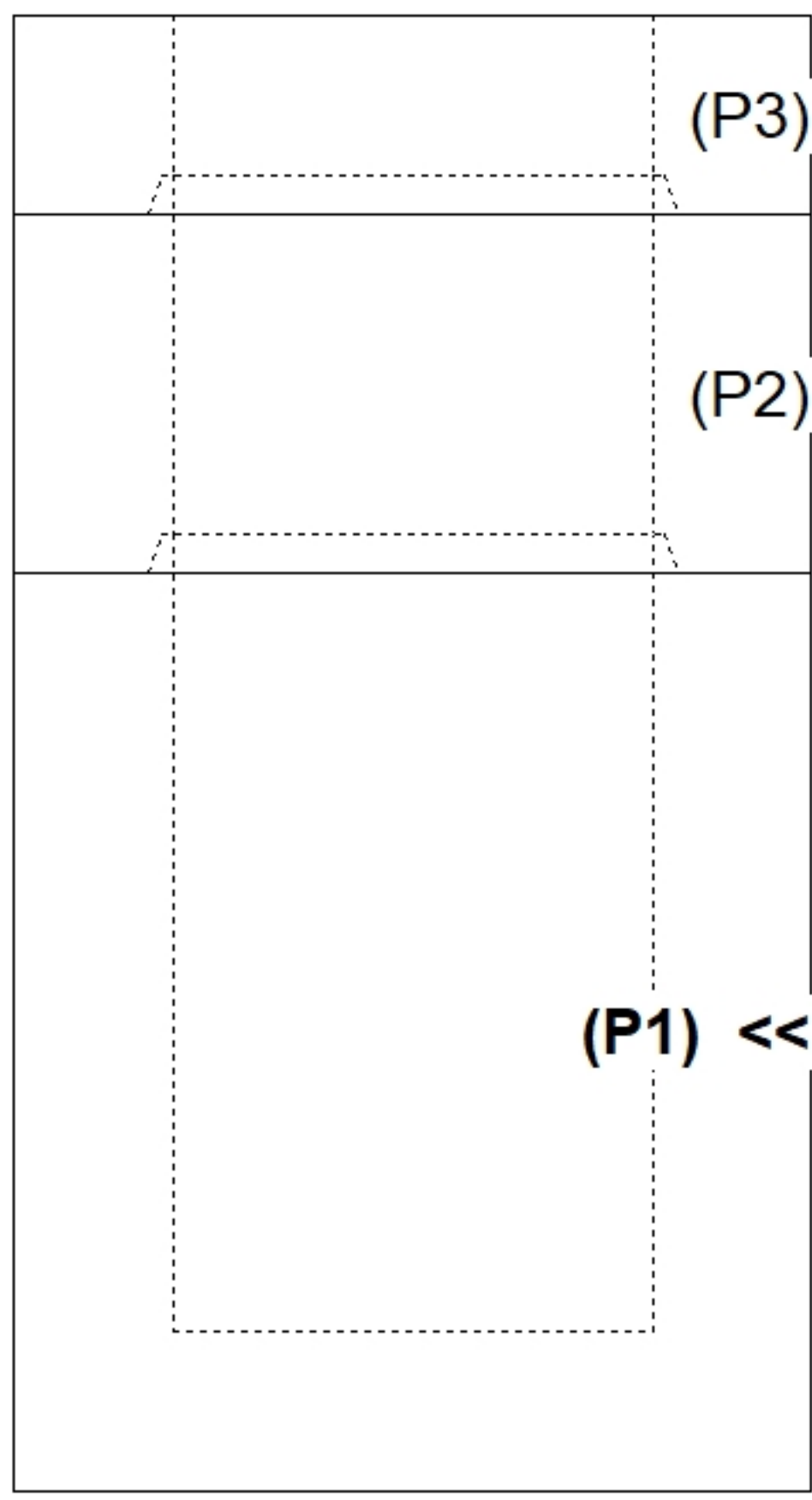
**Structure Notes:**  
 -KYTC STATE PROJECT 241306  
 -MANUFACTURED PER KYTC SPECIFICATIONS.  
 -REINFORCING: #5 BAR @ 12" C/C E.W.  
 -KYTC CERTIFICATIONS REQUIRED.

Rim: 745.49'    Rim to Invert: 5.91'    Slack: 0.41'    Sump: 0'    Step Position:

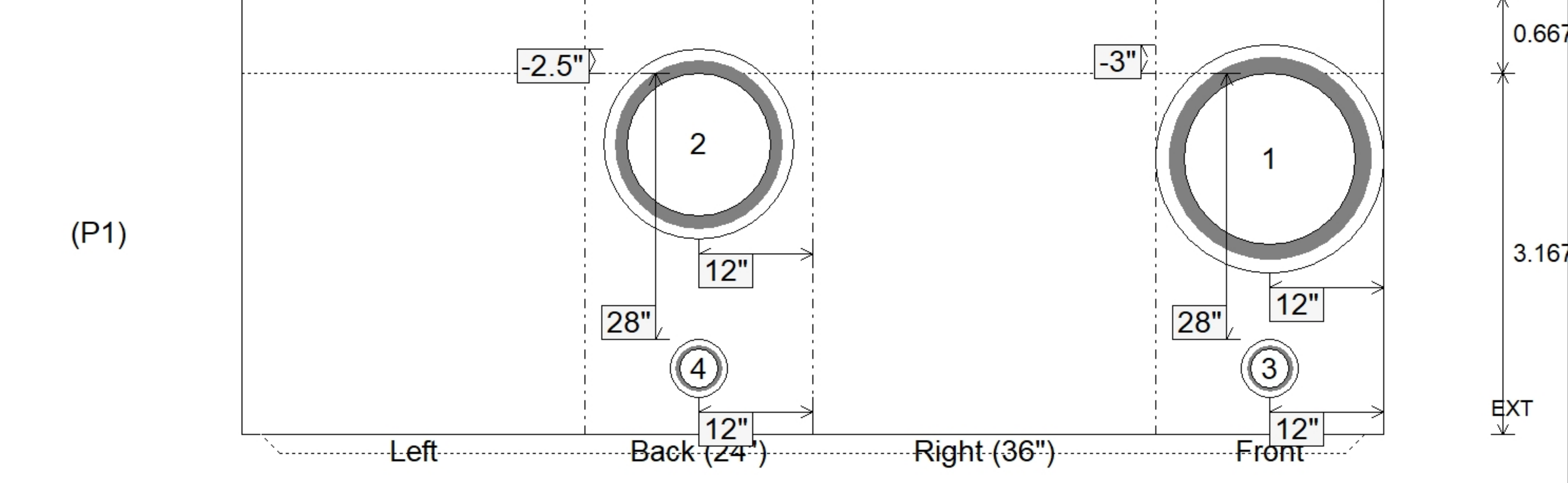
Position	Elev	Angle	Ext. (cw)	Pipe	Pipe OD	Connector	Hole	Horz Size	Up ( )	Offset
Invert 1	739.58'	0°	20"	18" HDPE	21.2"	Hole 24	24"	24"	-3"	0"
Invert 2	739.58'	180°	20"	15" HDPE	17.6"	Hole 20	20"	20"	-2.5"	0"
Invert 3	742'	0°	20"	4" HDPE	4.8"	Hole 6	6"	6"	28"	0"
Invert 4	742'	180°	20"	4" HDPE	4.8"	Hole 6	6"	6"	28"	0"
Invert 5										
Invert 6										
Invert 7										
Invert 8										

**RIGHT-SIDE UP VIEW (int. dimensions)**

**UPSIDE-DOWN VIEW (int. dimensions)**



**INSIDE WALL DIMENSIONS**



Coating (Int): Coating (Ext):	Seam Up: Tongue Seam Dn: n/a	Wall Thickness: 8" Floor Height: 0.667'	Height (Int): 3.167' Height (Ext): 3.833'	Weight (Net): 4797 lb Volume (Net): 1.23cu.yd
----------------------------------	---------------------------------	--	--	--