

Job Name: 24-1632B KYTC Breathitt Co. Call 100-241306

Job Location: Breathitt Co., Ky.

Contractor: Triton Construction, Inc.

PC: C. Goff

TECH: N. Richards

Plant: Beaver Dam



Structure ID: 553+50 RT CBI-A, 4-2

Spec: KYTC

Type: CBI TYPE A (10')

Size: 24" x 36"

Rim: 747.25'

Invert: 742.07'

Rim to Invert: 5.18'

Sump: 0'

Floor (Top): 742.07'

Floor Height: 0.667'

Floor (Bot): 741.403'

Overall Height: 5.5'

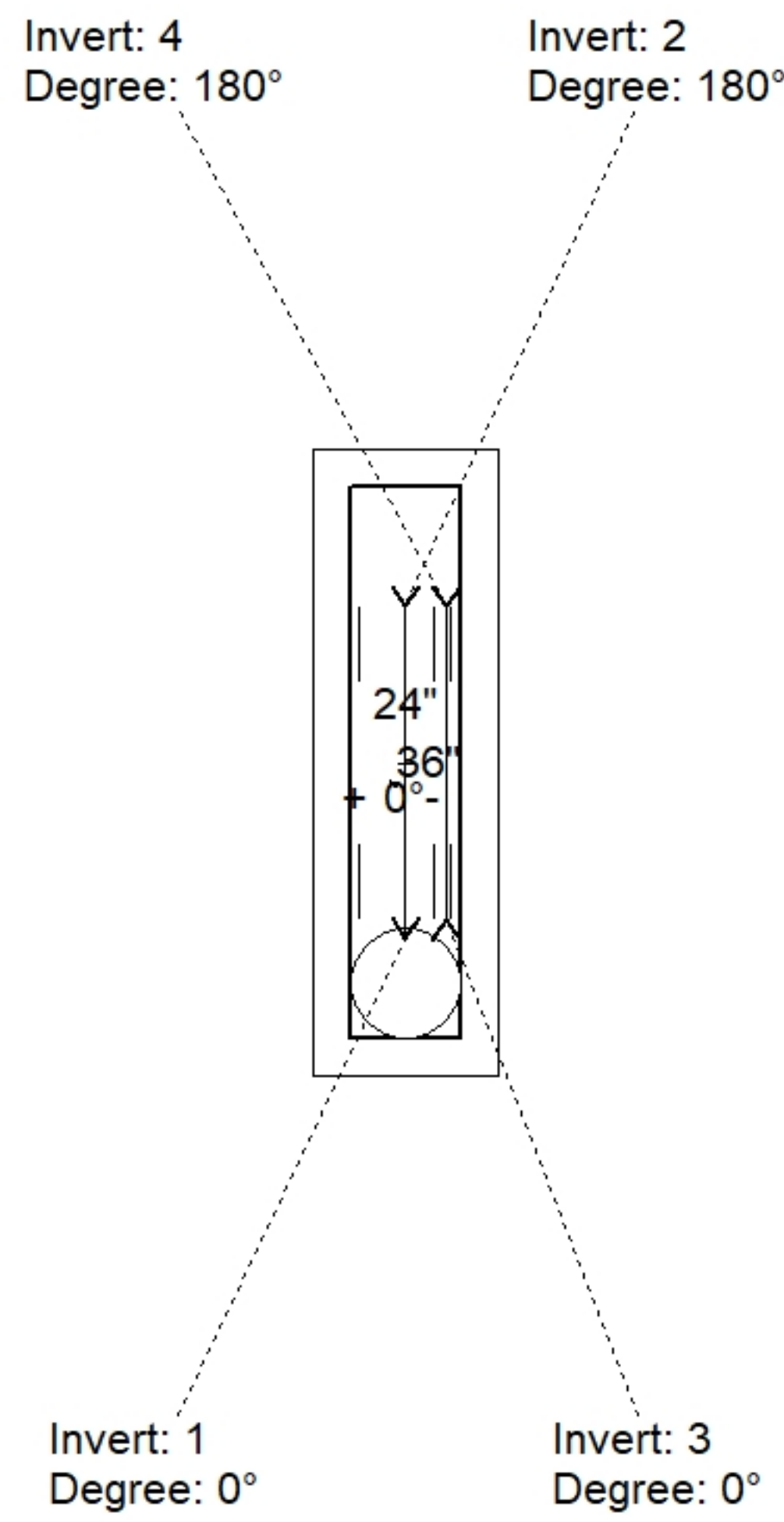
Slack: 0.347'

Structure Notes:

- KYTC STATE PROJECT 241306
- MANUFACTURED PER KYTC SPECIFICATIONS.
- REINFORCING: #5 BAR @ 12" C/C E.W.
- KYTC CERTIFICATIONS REQUIRED.

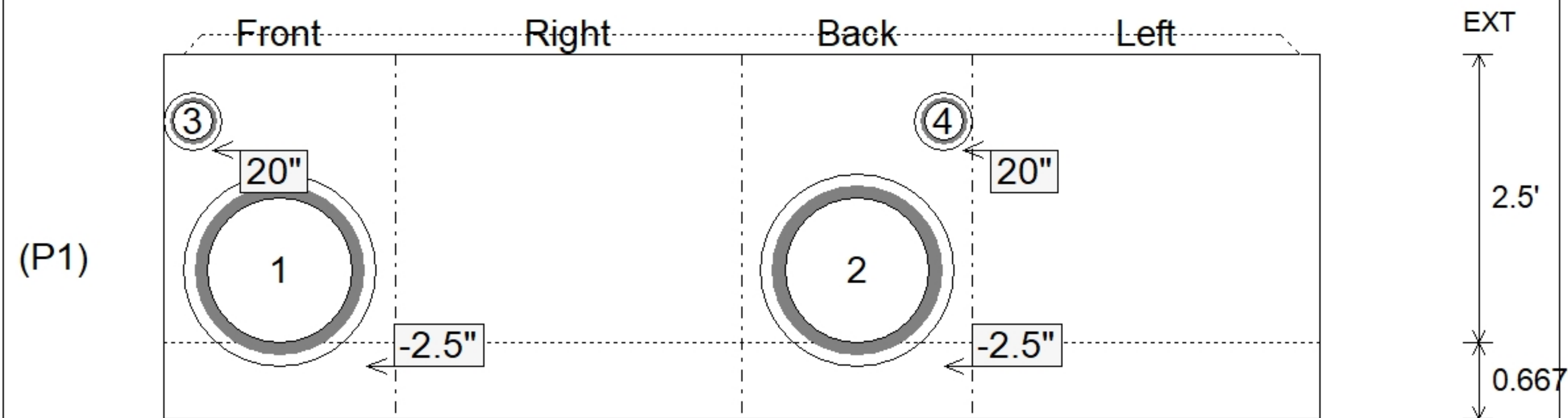
STRUCTURE SUMMARY:

| | |
|--|-----------------|
| P3) 24" x 120" - CBITA10-TL - CB INLET KY A 10' TOP LEFT - 0.833' | 3400 lb |
| P2) 24" x 120" - CBITA10-BL - CB INLET KY A 10' BOTTOM LEFT - 1.5' | 5270 lb |
| P1) 24" x 36" - BX2436-08BA30 - BOX BASE 8inW, 8inF - 2.5' | 4036 lb |
| 1) 24" x 36" - SGL 1"x14.5' Butyl - 0' | 0 lb |
| 2) Hole - 0' | 0 lb |
| 2) Hole - 0' | 0 lb |
| Structure Total: | 12705 lb |



| Position | Elev | Angle | Pipe | Pipe OD | Hole | Connector | Up () | Ref |
|----------|---------|-------|----------|---------|------|-----------|--------|-----|
| Rim | 747.25' | | | | | | | |
| Reducer | | | | | | | | |
| Invert 1 | 742.07' | 0° | 15" HDPE | 17.6" | 20" | Hole 20 | -2.5" | P1 |
| Invert 2 | 742.07' | 180° | 15" HDPE | 17.6" | 20" | Hole 20 | -2.5" | P1 |
| Invert 3 | 743.82' | 0° | 4" HDPE | 4.8" | 6" | Hole 6 | 20" | P1 |
| Invert 4 | 743.82' | 180° | 4" HDPE | 4.8" | 6" | Hole 6 | 20" | P1 |
| Invert 5 | | | | | | | | |
| Invert 6 | | | | | | | | |
| Invert 7 | | | | | | | | |
| Invert 8 | | | | | | | | |

Default - Interior Dimensions



24" x 120" - CBITA10-TL - CB INLET KY A 10' TOP LEFT - 0.833' - (P3)

24" x 120" - CBITA10-BL - CB INLET KY A 10' BOTTOM LEFT - 1.5' - (P2)

24" x 36" - BX2436-08BA30 - BOX BASE 8inW, 8inF - 2.5' - (P1)

Submittal Drawing
2/12/2026 6:17:44 AM

SUBMITTAL
APPROVED BY: