

Job Name: 24-1632B KYTC Breathitt Co. Call 100-241306  
 Job Location: Breathitt Co., Ky.  
 Contractor: Triton Construction, Inc.

Plant: Beaver Dam  
 2/12/2026 6:18:39 AM

Tech: N. Richards  
 PC: C. Goff



**Structure ID: 553+50 RT CBI-A, 4-2**

**P1 BX2436-08BA30 BOX BASE 8inW, 8inF**

P3) 24" x 120" - CBITA10-TL - CB INLET KY A 10' TOP LEFT - 0.833'	3400 lb
P2) 24" x 120" - CBITA10-BL - CB INLET KY A 10' BOTTOM LEFT - 1.5'	5270 lb
P1) 24" x 36" - BX2436-08BA30 - BOX BASE 8inW, 8inF - 2.5'	4036 lb
1) 24" x 36" - SGL 1"x14.5' Butyl - 0'	0 lb
2) Hole - 0'	0 lb
2) Hole - 0'	0 lb
Structure Total:	12705 lb

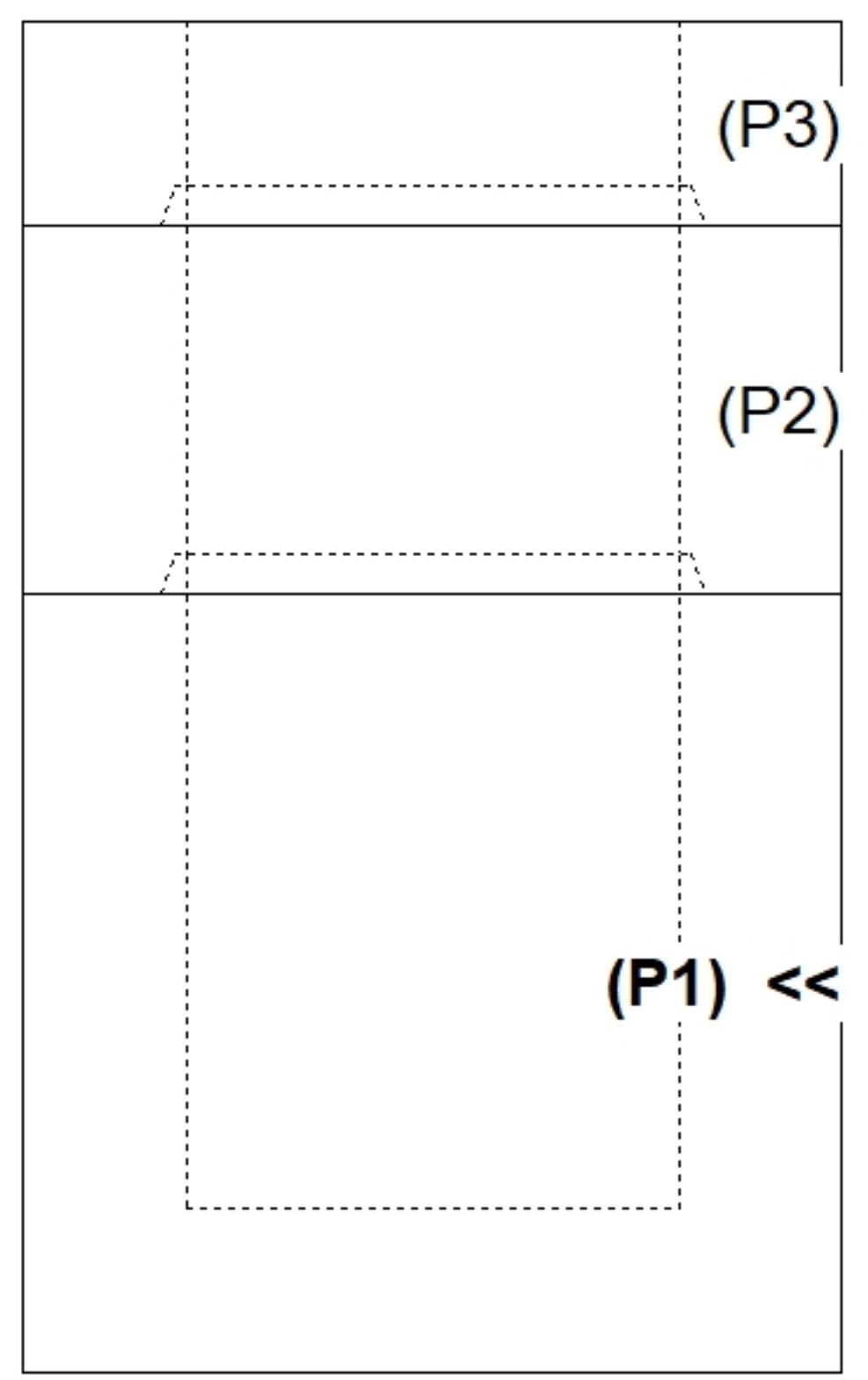
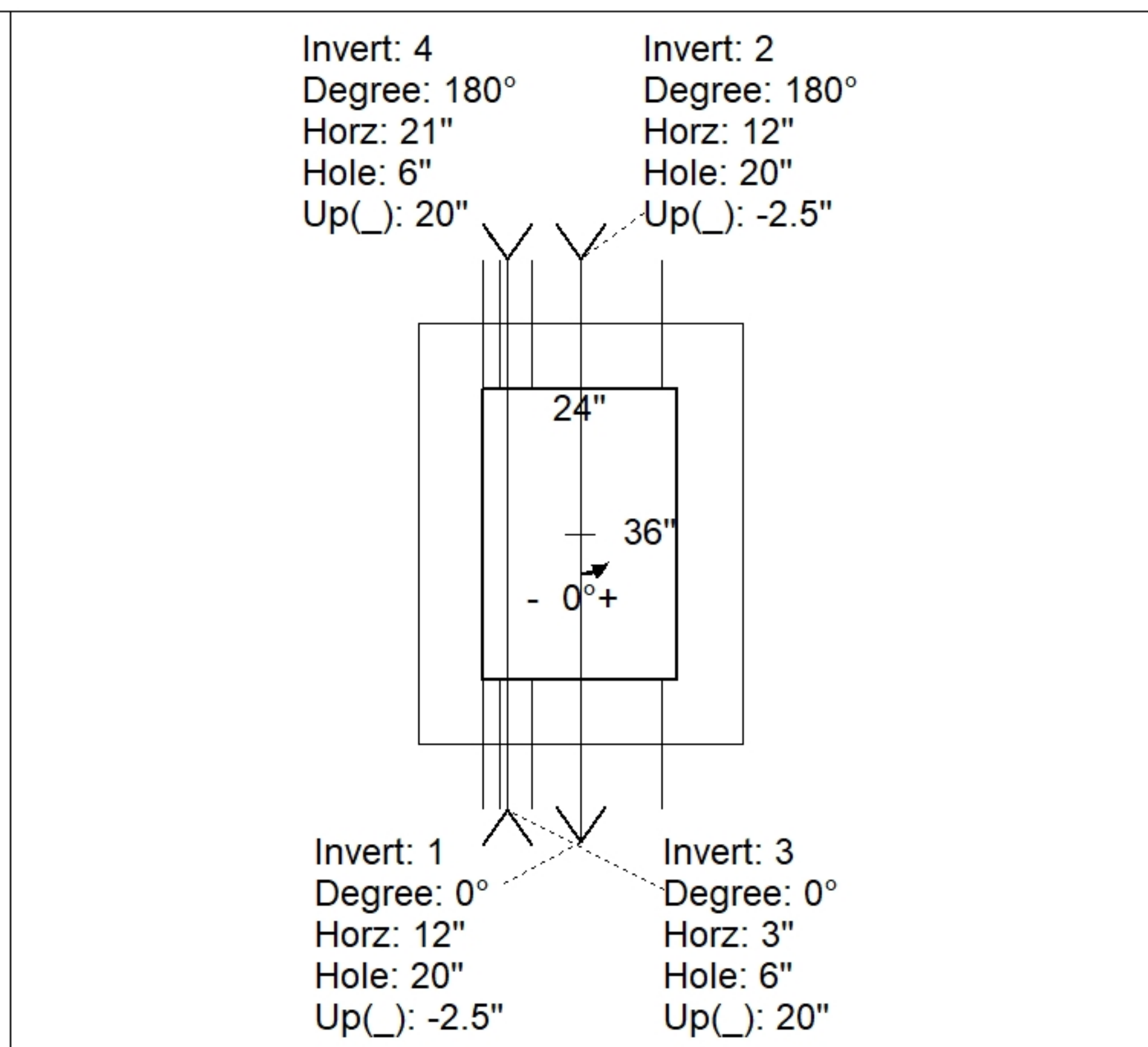
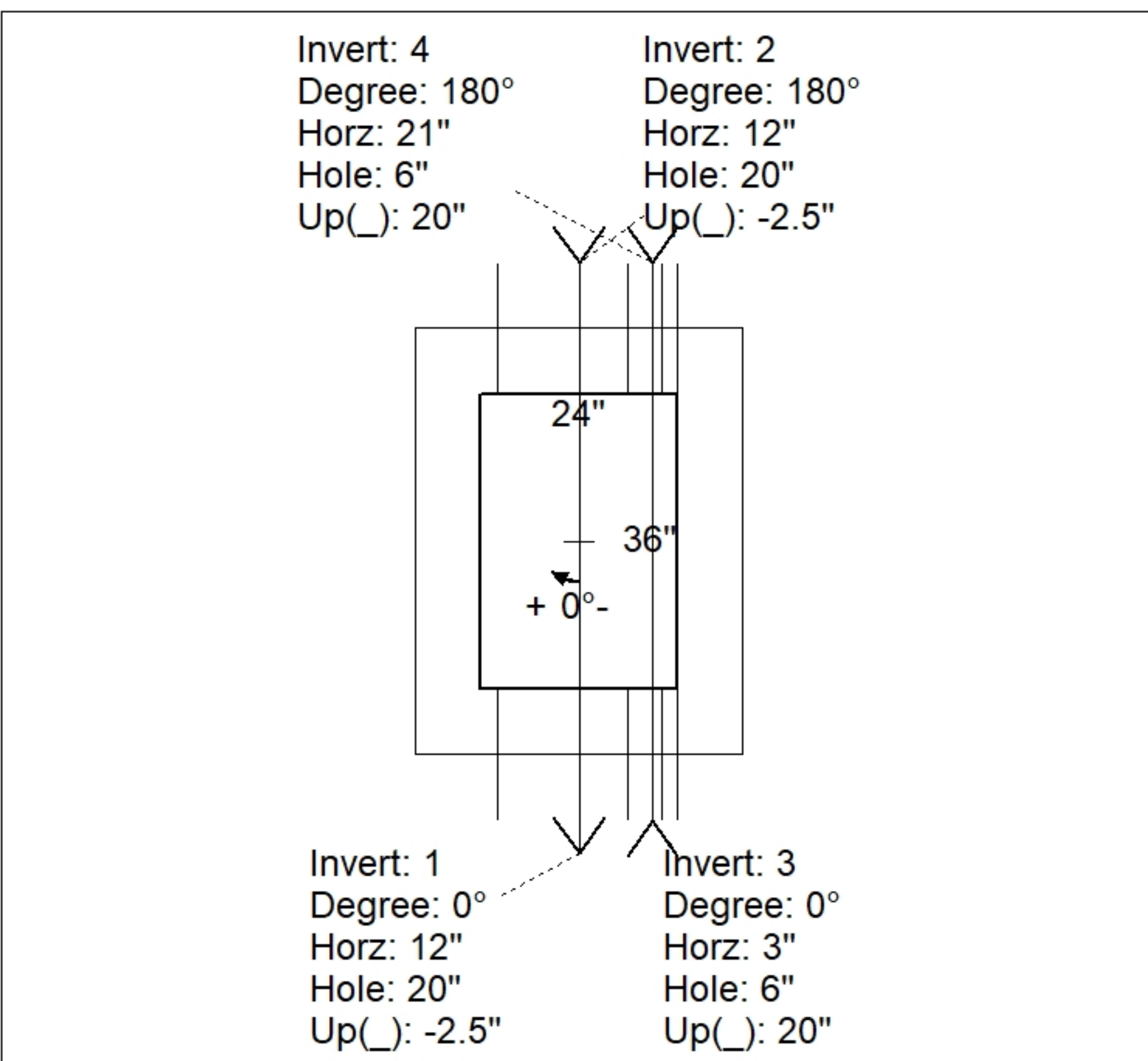
**Structure Notes:**  
 -KYTC STATE PROJECT 241306  
 -MANUFACTURED PER KYTC SPECIFICATIONS.  
 -REINFORCING: #5 BAR @ 12" C/C E.W.  
 -KYTC CERTIFICATIONS REQUIRED.

Rim: 747.25' Rim to Invert: 5.18' Slack: 0.347' Sump: 0' Step Position:

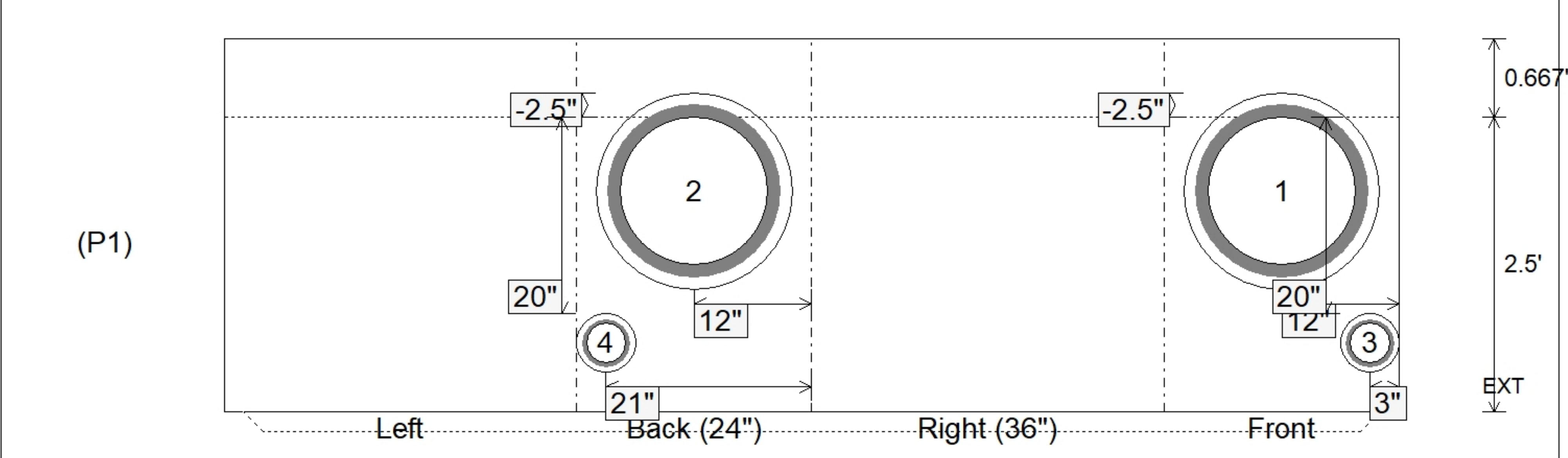
Position	Elev	Angle	Ext. (cw)	Pipe	Pipe OD	Connector	Hole	Horz Size	Up ( )	Offset
Invert 1	742.07'	0°	20"	15" HDPE	17.6"	Hole 20	20"	20"	-2.5"	0"
Invert 2	742.07'	180°	20"	15" HDPE	17.6"	Hole 20	20"	20"	-2.5"	0"
Invert 3	743.82'	0°	11"	4" HDPE	4.8"	Hole 6	6"	6"	20"	-9"
Invert 4	743.82'	180°	29"	4" HDPE	4.8"	Hole 6	6"	6"	20"	9"
Invert 5										
Invert 6										
Invert 7										
Invert 8										

RIGHT-SIDE UP VIEW (int. dimensions)

UPSIDE-DOWN VIEW (int. dimensions)



INSIDE WALL DIMENSIONS



Coating (Int): Coating (Ext):	Seam Up: Tongue Seam Dn: n/a	Wall Thickness: 8" Floor Height: 0.667'	Height (Int): 2.5' Height (Ext): 3.167'	Weight (Net): 4036 lb Volume (Net): 1.03cu.yd
----------------------------------	---------------------------------	--	--	--