

**Job Name: 24-1632B KYTC Breathitt Co. Call 100-241306**  
**Job Location: Breathitt Co., Ky.**  
**Contractor: Triton Construction, Inc.**

PC: C. Goff  
 TECH: N. Richards  
 Plant: Beaver Dam



Structure ID: **552+25 RT CBI-A, 4-2**  
 Spec: KYTC  
 Type: CBI TYPE A (10')  
 Size: 24" x 36"

Rim: 747.94'  
 Invert: 743.19'  
 Rim to Invert: 4.75'

Sump: 0'  
 Floor (Top): 743.19'  
 Floor Height: 0.667'

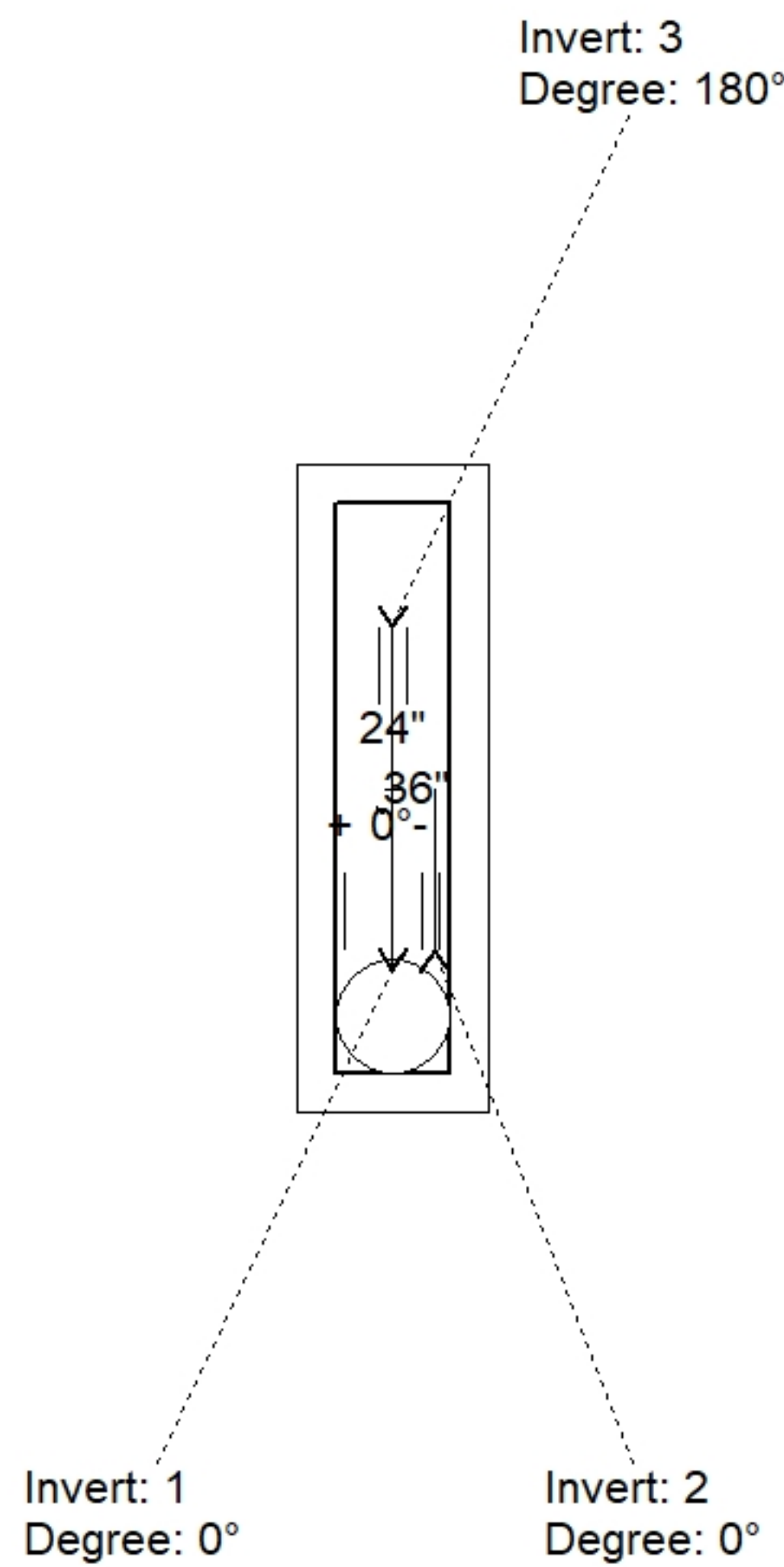
Floor (Bot): 742.523'  
 Overall Height: 5.25'  
 Slack: 0.167'

**Structure Notes:**

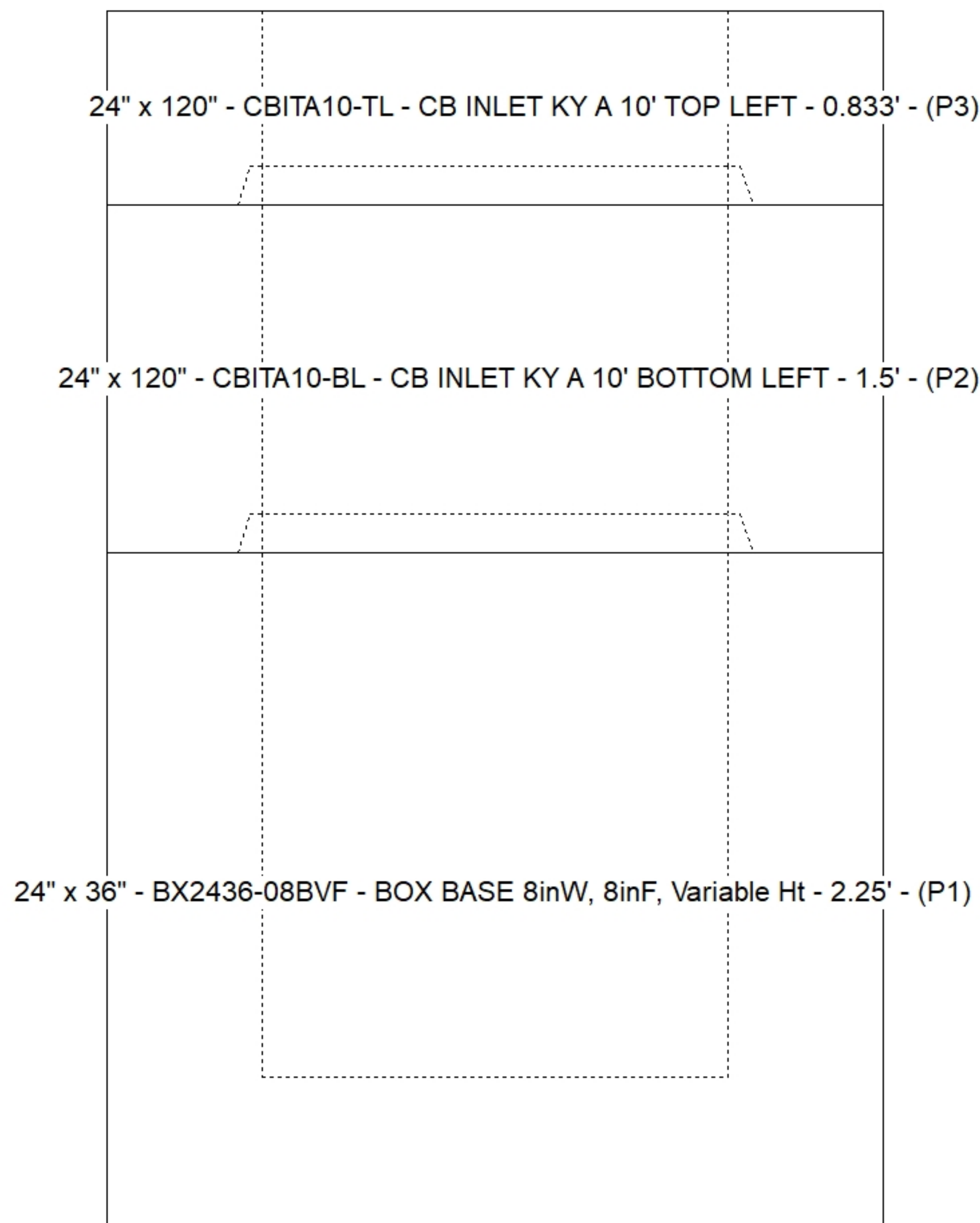
- KYTC STATE PROJECT 241306
- MANUFACTURED PER KYTC SPECIFICATIONS.
- REINFORCING: #5 BAR @ 12" C/C E.W.
- KYTC CERTIFICATIONS REQUIRED.

**STRUCTURE SUMMARY:**

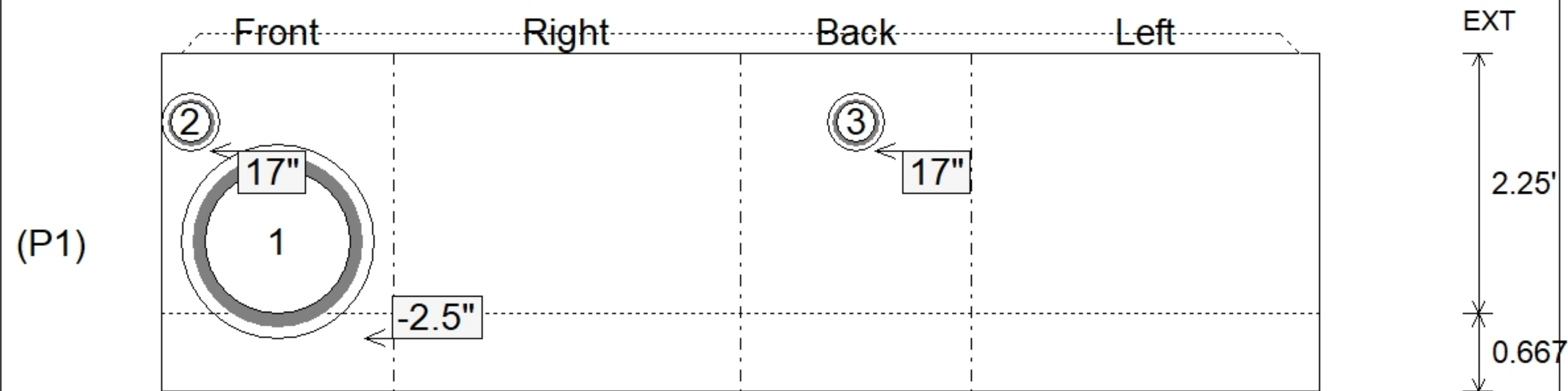
P3) 24" x 120" - CBITA10-TL - CB INLET KY A 10' TOP LEFT - 0.833'	3400 lb
P2) 24" x 120" - CBITA10-BL - CB INLET KY A 10' BOTTOM LEFT - 1.5'	5270 lb
P1) 24" x 36" - BX2436-08BVF - BOX BASE 8inW, 8inF, Variable Ht - 2.25'	3936 lb
1) 24" x 36" - SGL 1"x14.5' Butyl - 0'	0 lb
1) Hole - 0'	0 lb
2) Hole - 0'	0 lb
<b>Structure Total:</b>	<b>12605 lb</b>



Position	Elev	Angle	Pipe	Pipe OD	Hole	Connector	Up (")	Ref
Rim	747.94'							
Reducer								
Invert 1	743.19'	0°	15" HDPE	17.6"	20"	Hole 20	-2.5"	P1
Invert 2	744.68'	0°	4" HDPE	4.8"	6"	Hole 6	17"	P1
Invert 3	744.68'	180°	4" HDPE	4.8"	6"	Hole 6	17"	P1
Invert 4								
Invert 5								
Invert 6								
Invert 7								
Invert 8								



**Default - Interior Dimensions**



Submittal Drawing  
 2/12/2026 6:17:43 AM

SUBMITTAL  
 APPROVED BY: