

Structure ID: 550+50 RT CBI-A, 4-2

P1 BX2436-08BVF BOX BASE 8inW, 8inF, Variable Ht

P3) 24" x 120" - CBITA10-TR - CB INLET KY A 10' TOP RIGHT - 0.833'	3398 lb
P2) 24" x 120" - CBITA10-BR - CB INLET KY A 10' BOTTOM RIGHT - 1.5'	5270 lb
P1) 24" x 36" - BX2436-08BVF - BOX BASE 8inW, 8inF, Variable Ht - 2.417'	3698 lb
1) 24" x 36" - SGL 1"x14.5' Butyl - 0'	0 lb
2) Hole - 0'	0 lb
2) Hole - 0'	0 lb
Structure Total:	12366 lb

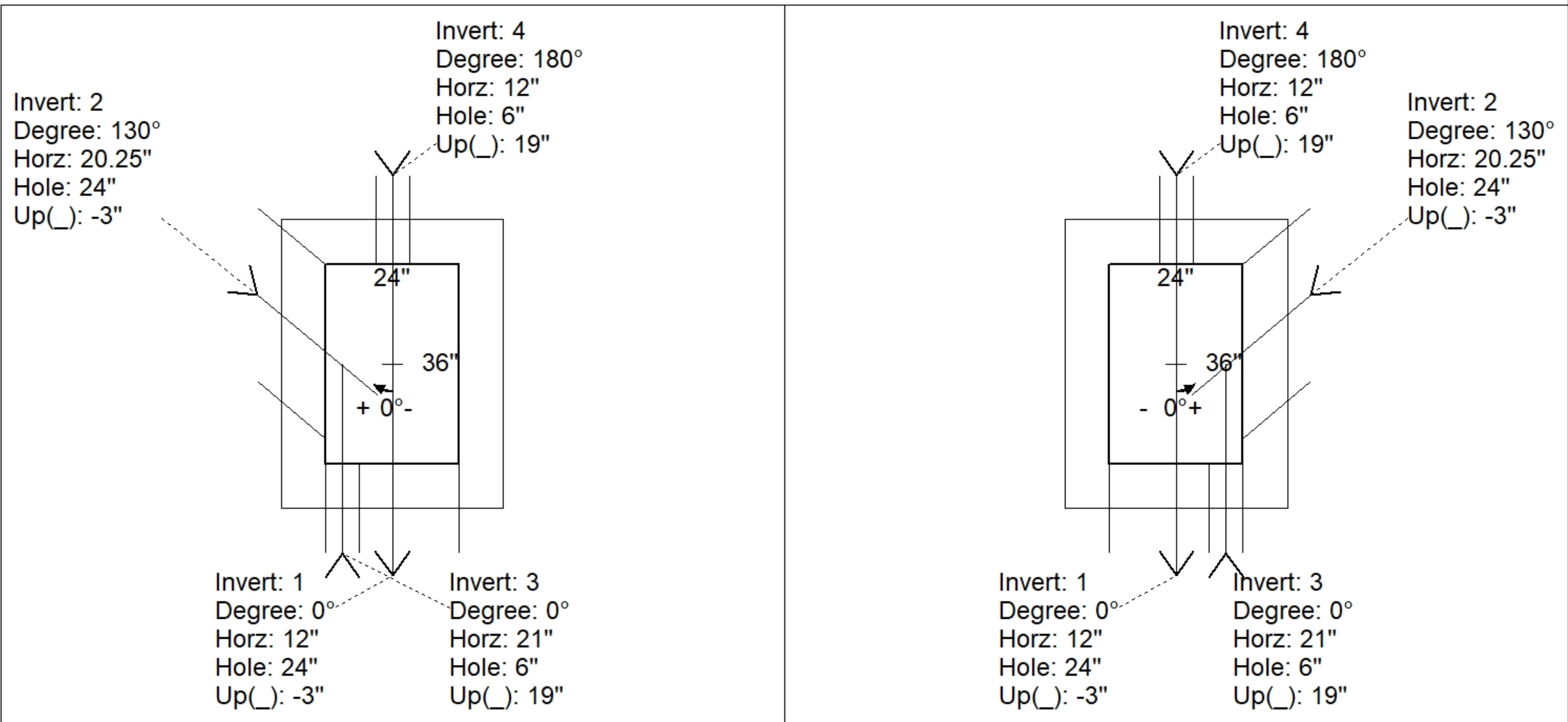
Structure Notes:
 -KYTC STATE PROJECT 241306
 -MANUFACTURED PER KYTC SPECIFICATIONS.
 -REINFORCING: #5 BAR @ 12" C/C E.W.
 -KYTC CERTIFICATIONS REQUIRED.
 -VERIFY PIPE SIZES.

Rim: 747.75' Rim to Invert: 4.8' Slack: 0.05' Sump: 0' Step Position:

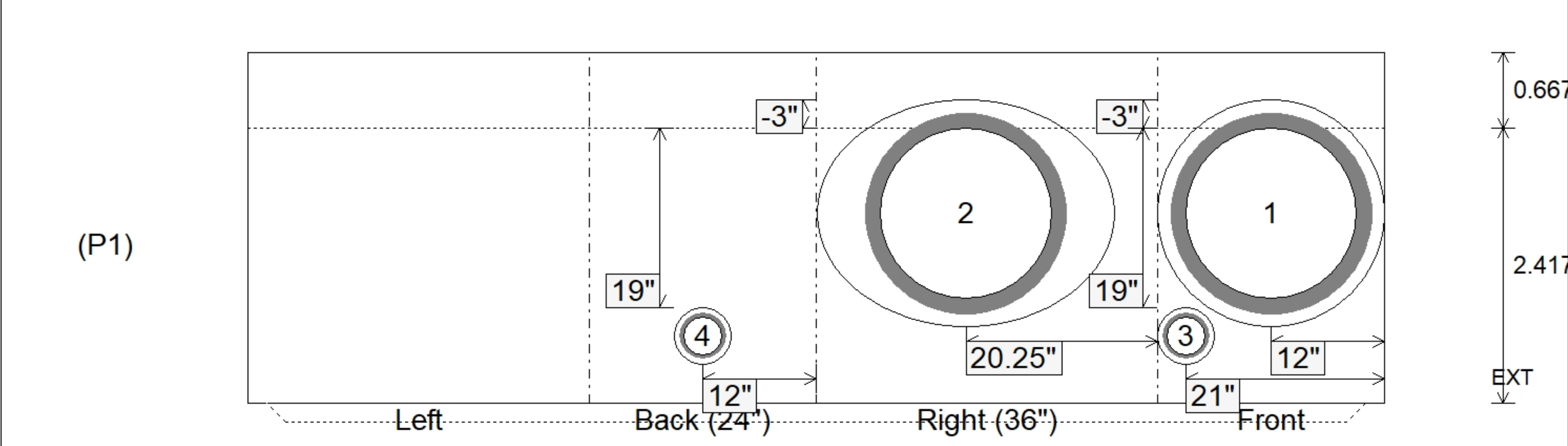
Position	Elev	Angle	Ext. (cw)	Pipe	Pipe OD	Connector	Hole	Horz Size	Up ()	Offset
Invert 1	742.95'	0°	20"	18" HDPE	21.2"	Hole 24	24"	24"	-3"	0"
Invert 2	742.95'	130°	35"	18" HDPE	21.2"	Hole 24	24"	31.33"	-3"	-6"
Invert 3	744.61'	0°	29"	4" HDPE	4.8"	Hole 6	6"	6"	19"	9"
Invert 4	744.61'	180°	20"	4" HDPE	4.8"	Hole 6	6"	6"	19"	0"
Invert 5										
Invert 6										
Invert 7										
Invert 8										

RIGHT-SIDE UP VIEW (int. dimensions)

UPSIDE-DOWN VIEW (int. dimensions)



INSIDE WALL DIMENSIONS



Coating (Int):	Seam Up: Tongue	Wall Thickness: 8"	Height (Int): 2.417'	Weight (Net): 3698 lb
Coating (Ext):	Seam Dn: n/a	Floor Height: 0.667'	Height (Ext): 3.083'	Volume (Net): 0.94cu.yd