

Job Name: 24-1632B KYTC Breathitt Co. Call 100-241306
 Job Location: Breathitt Co., Ky.
 Contractor: Triton Construction, Inc.

Plant: Beaver Dam
 2/12/2026 6:18:34 AM

Tech: N. Richards
 PC: C. Goff



Structure ID: 544+00 RT CBI-A, 4-2

P1 BX2436-08BA36 BOX BASE 8inW, 8inF

| | |
|---|----------|
| P3) 24" x 120" - CBITA10-TR - CB INLET KY A 10' TOP RIGHT - 0.833' | 3398 lb |
| P2) 24" x 120" - CBITA10-BR - CB INLET KY A 10' BOTTOM RIGHT - 1.5' | 5270 lb |
| P1) 24" x 36" - BX2436-08BA36 - BOX BASE 8inW, 8inF - 3' | 4576 lb |
| 1) 24" x 36" - SGL 1"x14.5' Butyl - 0' | 0 lb |
| 2) Hole - 0' | 0 lb |
| 2) Hole - 0' | 0 lb |
| Structure Total: | 13244 lb |

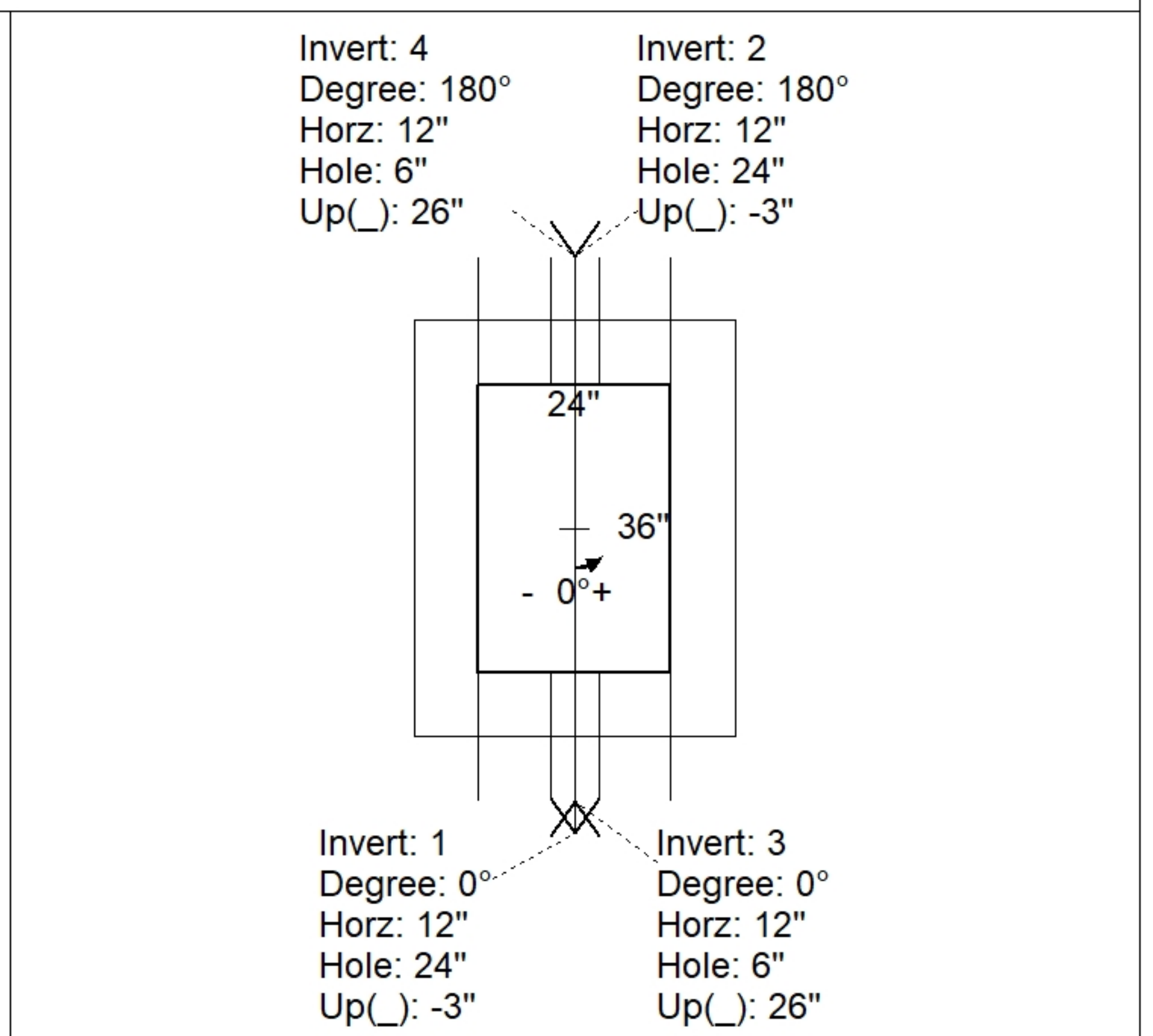
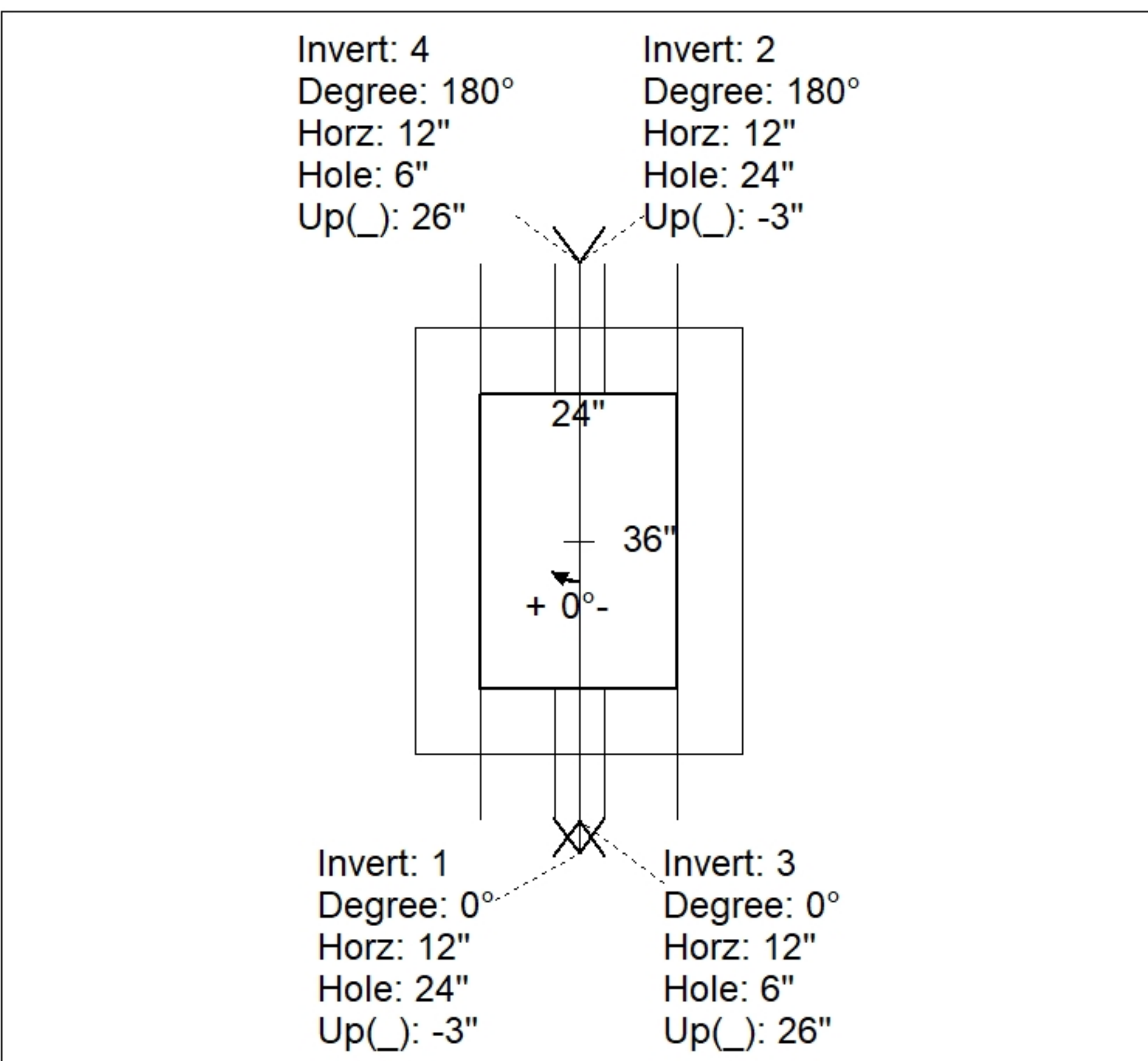
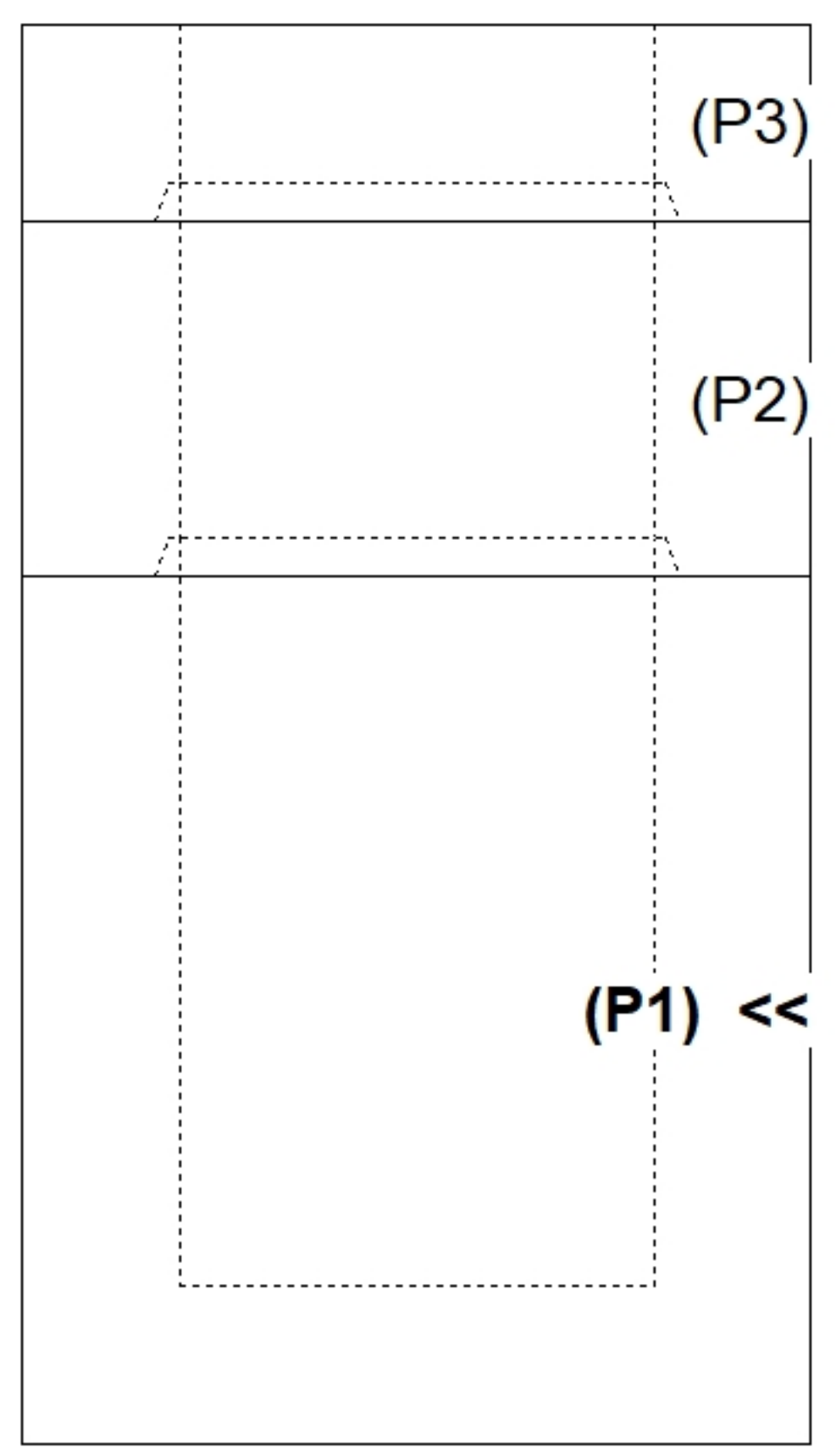
Structure Notes:
 -KYTC STATE PROJECT 241306
 -MANUFACTURED PER KYTC SPECIFICATIONS.
 -REINFORCING: #5 BAR @ 12" C/C E.W.
 -KYTC CERTIFICATIONS REQUIRED.

Rim: 744.02' Rim to Invert: 5.62' Slack: 0.287' Sump: 0' Step Position:

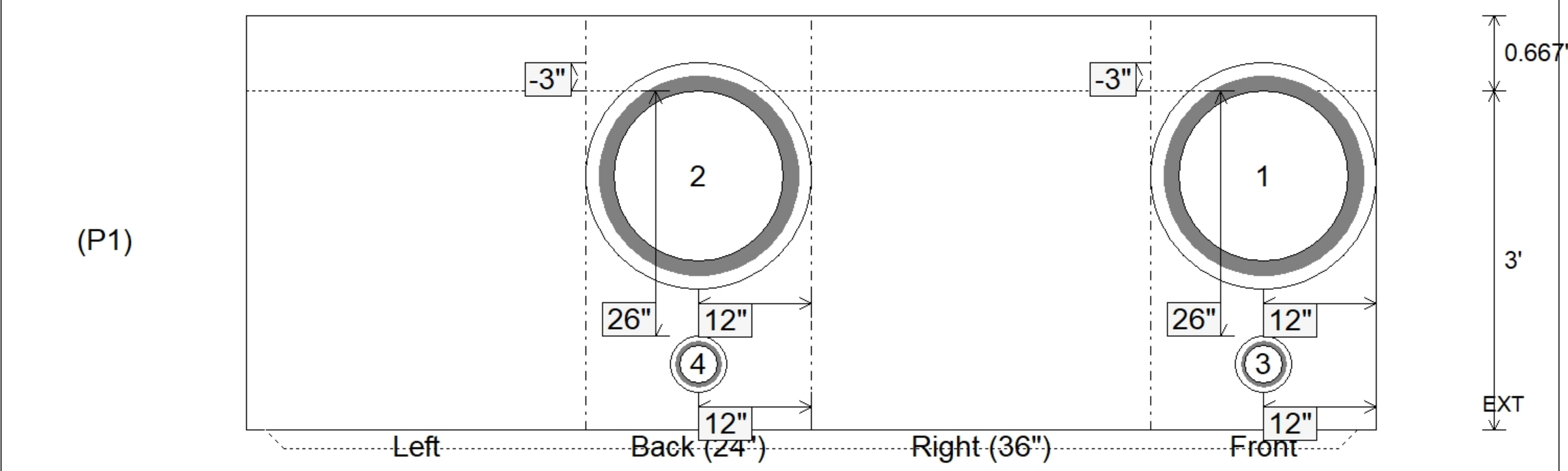
| Position | Elev | Angle | Ext. (cw) | Pipe | Pipe OD | Connector | Hole | Horz Size | Up () | Offset |
|----------|---------|-------|-----------|----------|---------|-----------|------|-----------|--------|--------|
| Invert 1 | 738.4' | 0° | 20" | 18" HDPE | 21.2" | Hole 24 | 24" | 24" | -3" | 0" |
| Invert 2 | 738.4' | 180° | 20" | 18" HDPE | 21.2" | Hole 24 | 24" | 24" | -3" | 0" |
| Invert 3 | 740.65' | 0° | 20" | 4" HDPE | 4.8" | Hole 6 | 6" | 6" | 26" | 0" |
| Invert 4 | 740.65' | 180° | 20" | 4" HDPE | 4.8" | Hole 6 | 6" | 6" | 26" | 0" |
| Invert 5 | | | | | | | | | | |
| Invert 6 | | | | | | | | | | |
| Invert 7 | | | | | | | | | | |
| Invert 8 | | | | | | | | | | |

RIGHT-SIDE UP VIEW (int. dimensions)

UPSIDE-DOWN VIEW (int. dimensions)



INSIDE WALL DIMENSIONS



| | | | | |
|----------------------------------|---------------------------------|--|--|--|
| Coating (Int): Coating (Ext): | Seam Up: Tongue Seam Dn: n/a | Wall Thickness: 8" Floor Height: 0.667' | Height (Int): 3' Height (Ext): 3.667' | Weight (Net): 4576 lb Volume (Net): 1.17cu.yd |
|----------------------------------|---------------------------------|--|--|--|