

Structure ID: 541+50 RT CBI-A, 4-2

P1 BX2436-08BVF

BOX BASE 8inW, 8inF, Variable Ht

P3) 24" x 120" - CBITA10-TR - CB INLET KY A 10' TOP RIGHT - 0.833' P2) 24" x 120" - CBITA10-BR - CB INLET KY A 10' BOTTOM RIGHT - 1.5' P1) 24" x 36" - BX2436-08BVF - BOX BASE 8inW, 8inF, Variable Ht - 3.167' 1) 24" x 36" - SGL 1"x14.5' Butyl - 0' 2) Hole - 0' 2) Hole - 0'	3398 lb 5270 lb 4780 lb 0 lb 0 lb 0 lb ----- Structure Total: 13448 lb
---	---

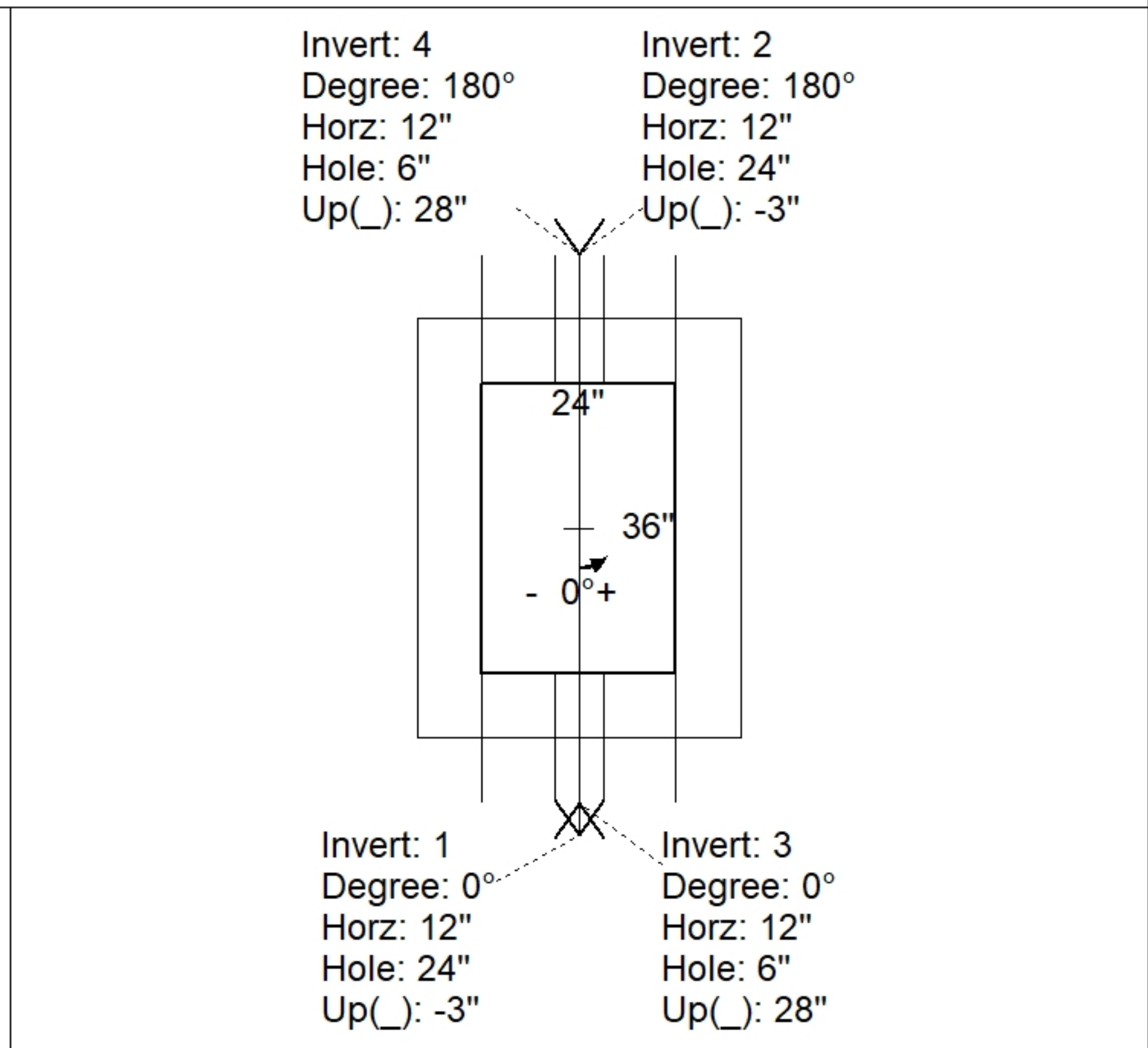
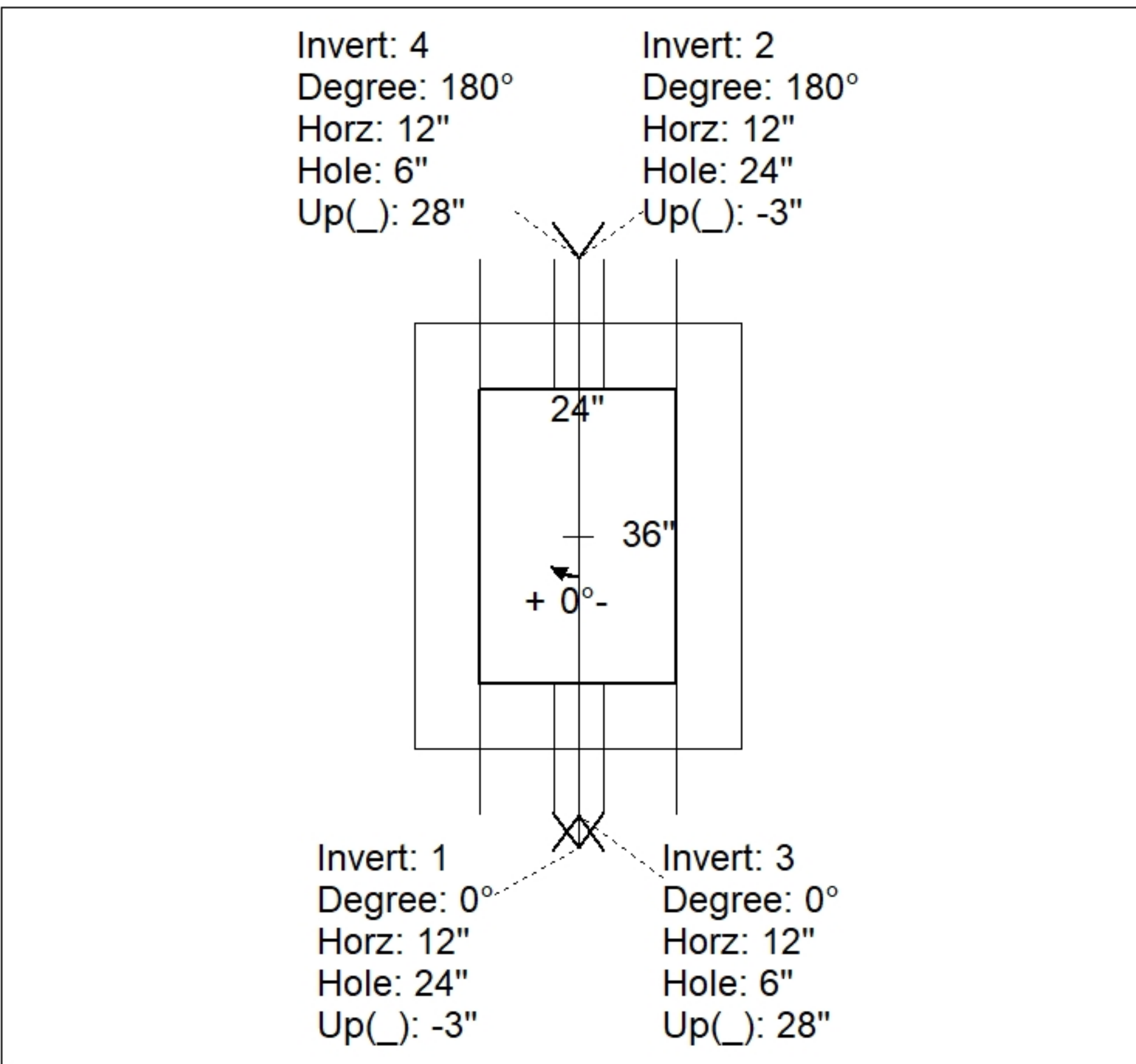
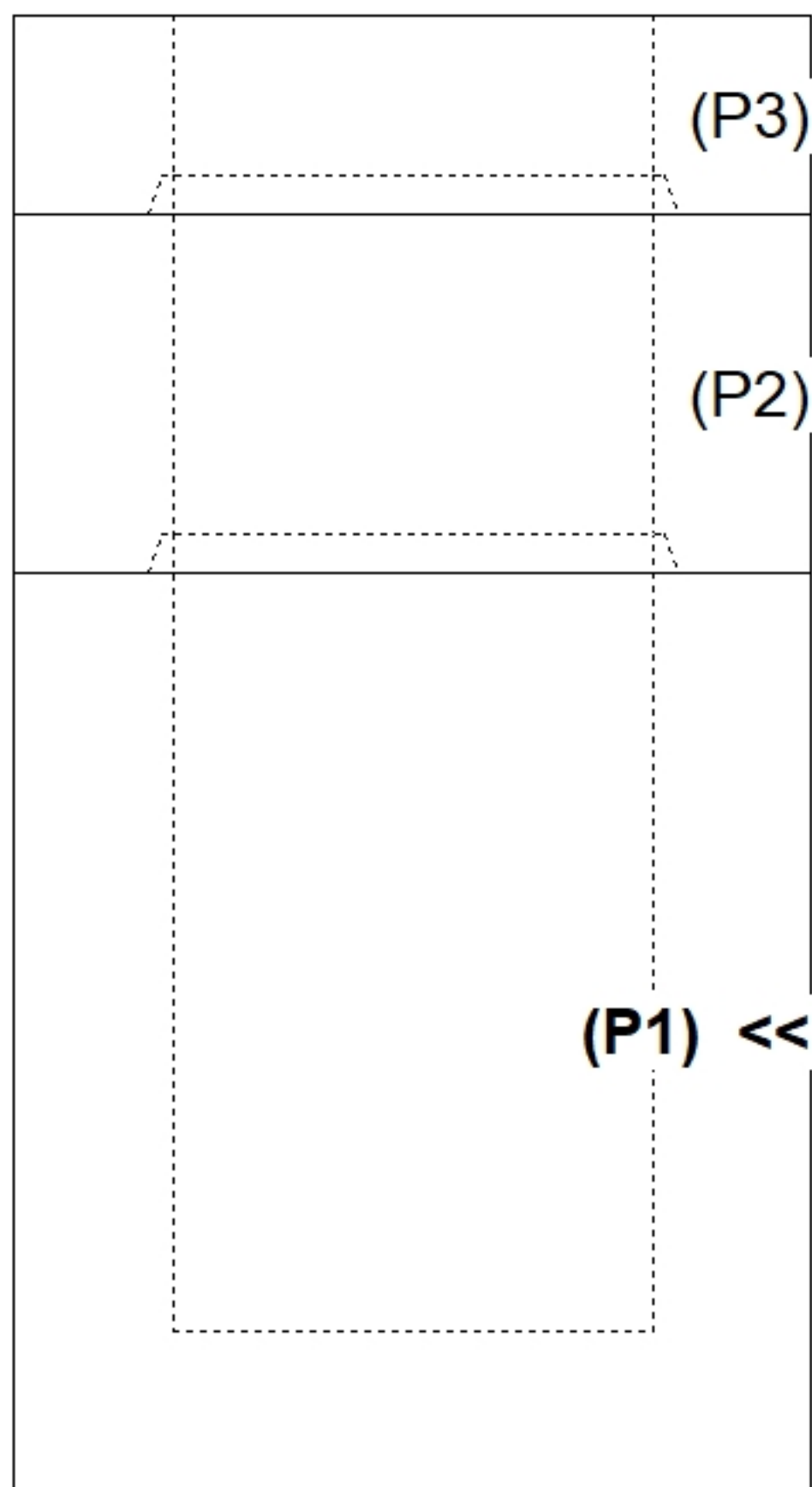
Structure Notes:
 -KYTC STATE PROJECT 241306
 -MANUFACTURED PER KYTC SPECIFICATIONS.
 -REINFORCING: #5 BAR @ 12" C/C E.W.
 -KYTC CERTIFICATIONS REQUIRED.

Rim: 742.58' Rim to Invert: 5.93' Slack: 0.43' Sump: 0' Step Position:

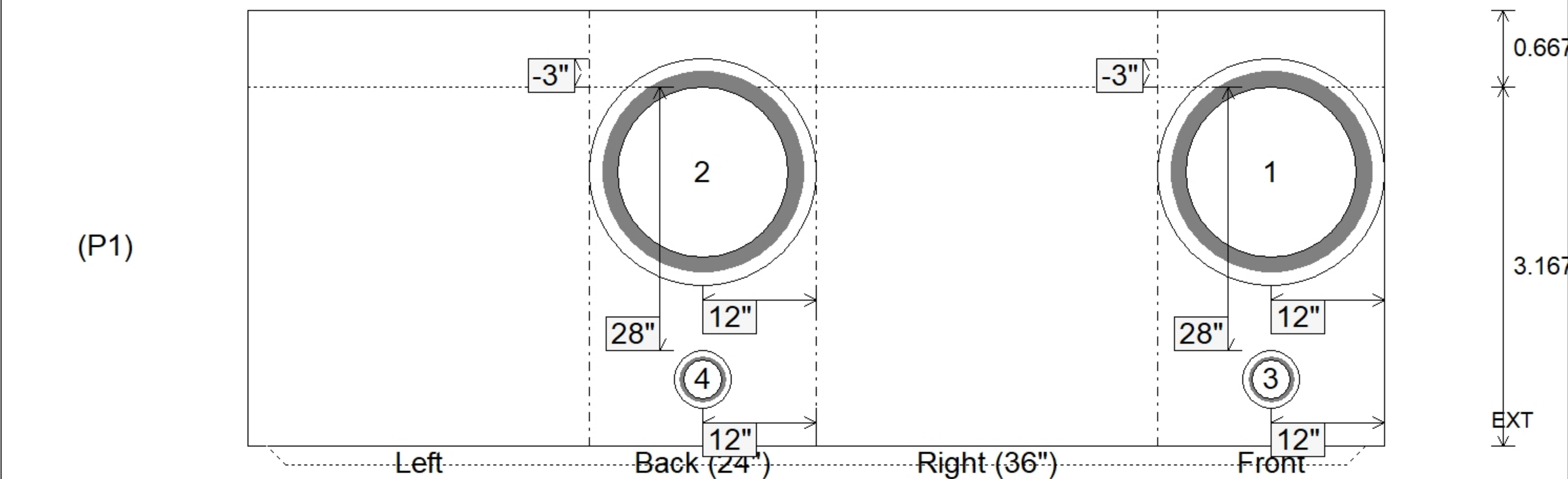
Position	Elev	Angle	Ext. (cw)	Pipe	Pipe OD	Connector	Hole	Horz Size	Up ()	Offset
Invert 1	736.65'	0°	20"	18" HDPE	21.2"	Hole 24	24"	24"	-3"	0"
Invert 2	736.65'	180°	20"	18" HDPE	21.2"	Hole 24	24"	24"	-3"	0"
Invert 3	739.06'	0°	20"	4" HDPE	4.8"	Hole 6	6"	6"	28"	0"
Invert 4	739.06'	180°	20"	4" HDPE	4.8"	Hole 6	6"	6"	28"	0"
Invert 5										
Invert 6										
Invert 7										
Invert 8										

RIGHT-SIDE UP VIEW (int. dimensions)

UPSIDE-DOWN VIEW (int. dimensions)



INSIDE WALL DIMENSIONS



Coating (Int): Coating (Ext):	Seam Up: Tongue Seam Dn: n/a	Wall Thickness: 8" Floor Height: 0.667'	Height (Int): 3.167' Height (Ext): 3.833'	Weight (Net): 4780 lb Volume (Net): 1.22cu.yd
----------------------------------	---------------------------------	--	--	--