

Structure ID: 535+47 RT CBI-A, 44-2

P3 BX2436-08R48 BOX RISER 8inW

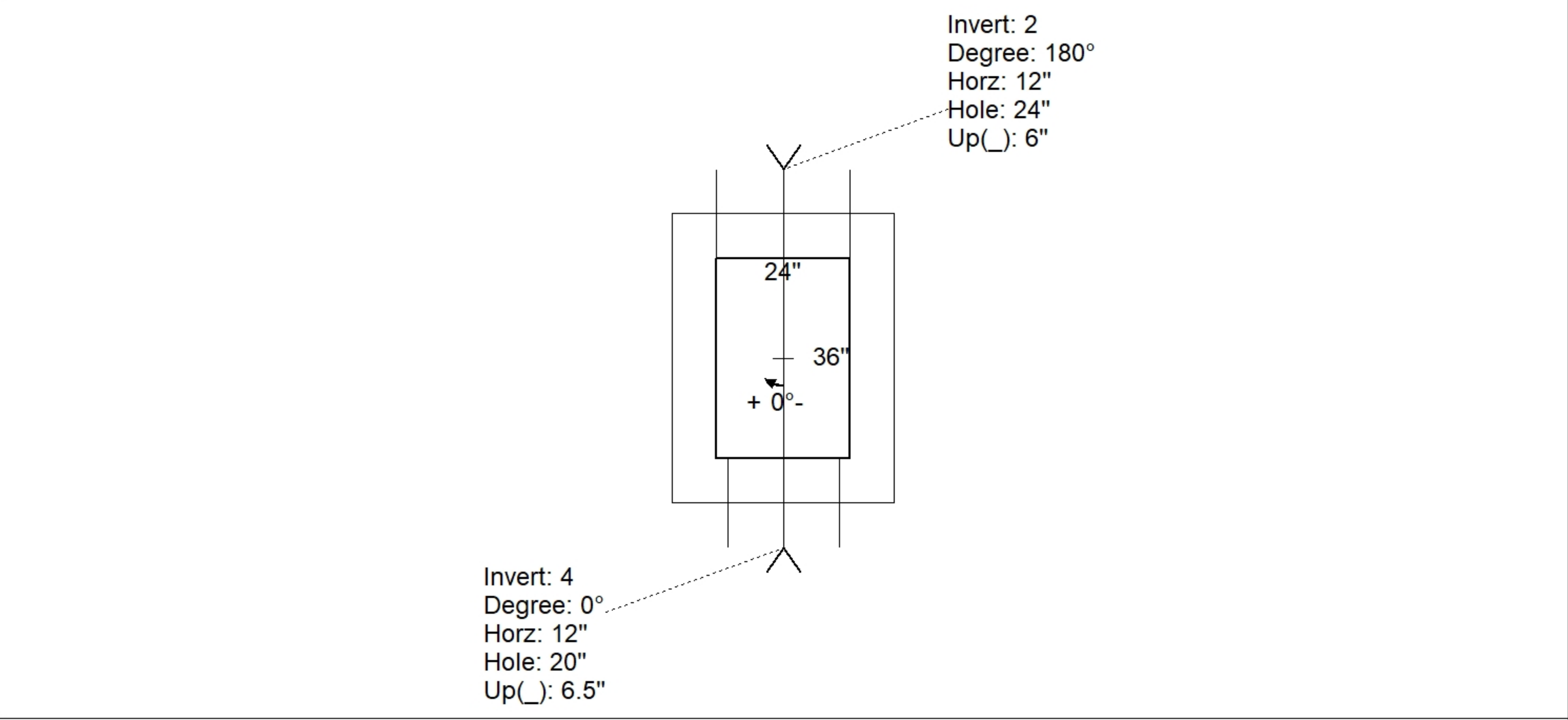
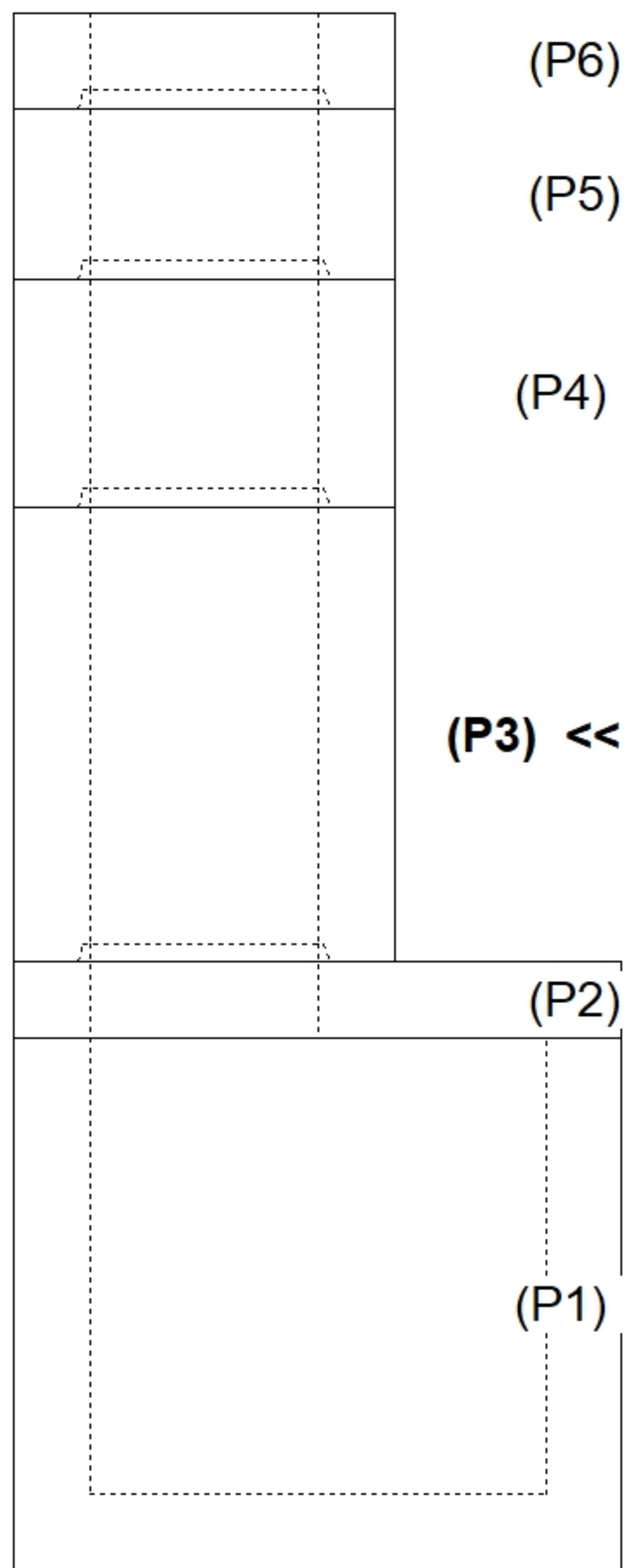
P6) 24" x 120" - CBITA10-TR - CB INLET KY A 10' TOP RIGHT - 0.833'	3398 lb
P5) 24" x 120" - CBITA10-BR - CB INLET KY A 10' BOTTOM RIGHT - 1.5'	5270 lb
P4) 24" x 36" - BX2436-08R24 - BOX RISER 8inW - 2'	2411 lb
P3) 24" x 36" - BX2436-08R48 - BOX RISER 8inW - 4'	4459 lb
P2) 48" x 48" - BX048048-08TS024036 - CB FT REDUCER 24"X36" HOLE - 0.667'	2170 lb
P1) 48" x 48" - BX4848-08BA48 - BOX BASE 8inW, 8inF - 4'	7736 lb
3) 24" x 36" - SGL 1"x14.5' Butyl - 0'	0 lb
2) Hole - 0'	0 lb
1) Hole - 0'	0 lb
1) Hole - 0'	0 lb
2) Hole - 0'	0 lb
Structure Total:	25444 lb

Structure Notes:
 -KYTC STATE PROJECT 241306
 -MANUFACTURED PER KYTC SPECIFICATIONS.
 -REINFORCING: #5 BAR @ 12" C/C E.W.
 -KYTC CERTIFICATIONS REQUIRED.

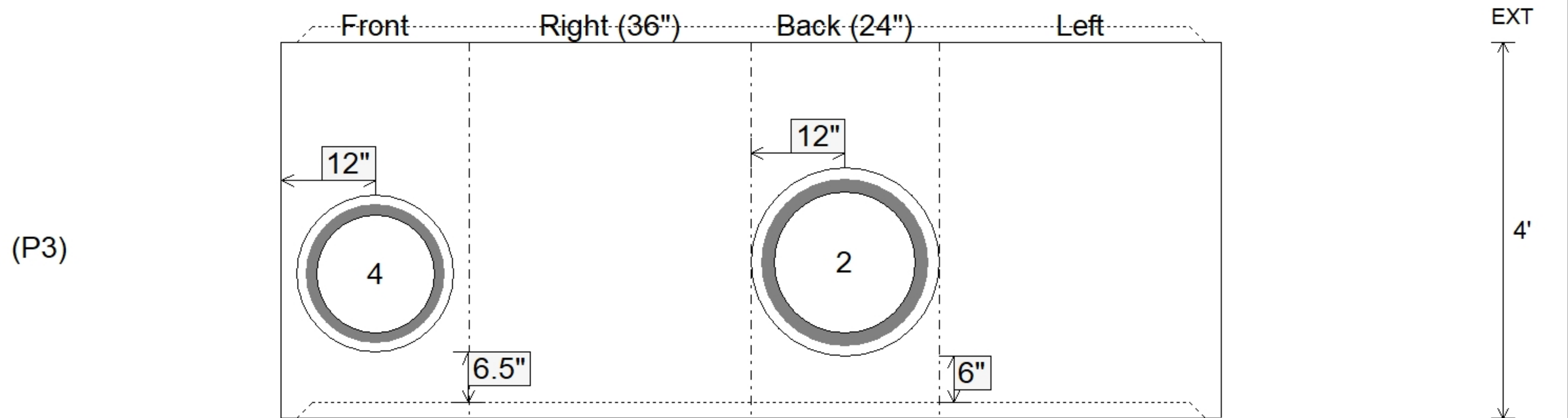
Rim: 740.15' Rim to Invert: 13.25' Slack: 0.25' Sump: 0' Step Position:

Position	Elev	Angle	Ext. (cw)	Pipe	Pipe OD	Connector	Hole	Horz Size	Up ()	Offset
Invert 1										
Invert 2	732.48'	180°	20"	18" HDPE	21.2"	Hole 24	24"	24"	6"	0"
Invert 3										
Invert 4	732.48'	0°	20"	15" HDPE	17.6"	Hole 20	20"	20"	6.5"	0"
Invert 5										
Invert 6										
Invert 7										
Invert 8										

RIGHT-SIDE UP VIEW (int. dimensions)



INSIDE WALL DIMENSIONS



Coating (Int): Coating (Ext):	Seam Up: Tongue Seam Dn: Groove	Wall Thickness: 8" Floor Height: 0'	Height (Int): 4' Height (Ext): 4'	Weight (Net): 4459 lb Volume (Net): 1.14cu.yd
----------------------------------	------------------------------------	--	--------------------------------------	--