

Job Name: 24-1632B KYTC Breathitt Co. Call 100-241306
 Job Location: Breathitt Co., Ky.
 Contractor: Triton Construction, Inc.

Plant: Beaver Dam
 2/12/2026 6:18:31 AM

Tech: N. Richards
 PC: C. Goff



Structure ID: 535+47 RT CBI-A, 44-2

P1 BX4848-08BA48 BOX BASE 8inW, 8inF

P6) 24" x 120" - CBITA10-TR - CB INLET KY A 10' TOP RIGHT - 0.833'	3398 lb
P5) 24" x 120" - CBITA10-BR - CB INLET KY A 10' BOTTOM RIGHT - 1.5'	5270 lb
P4) 24" x 36" - BX2436-08R24 - BOX RISER 8inW - 2'	2411 lb
P3) 24" x 36" - BX2436-08R48 - BOX RISER 8inW - 4'	4459 lb
P2) 48" x 48" - BX048048-08TS024036 - CB FT REDUCER 24"X36" HOLE - 0.667'	2170 lb
P1) 48" x 48" - BX4848-08BA48 - BOX BASE 8inW, 8inF - 4'	7736 lb
3) 24" x 36" - SGL 1"x14.5' Butyl - 0'	0 lb
2) Hole - 0'	0 lb
1) Hole - 0'	0 lb
1) Hole - 0'	0 lb
2) Hole - 0'	0 lb
Structure Total:	25444 lb

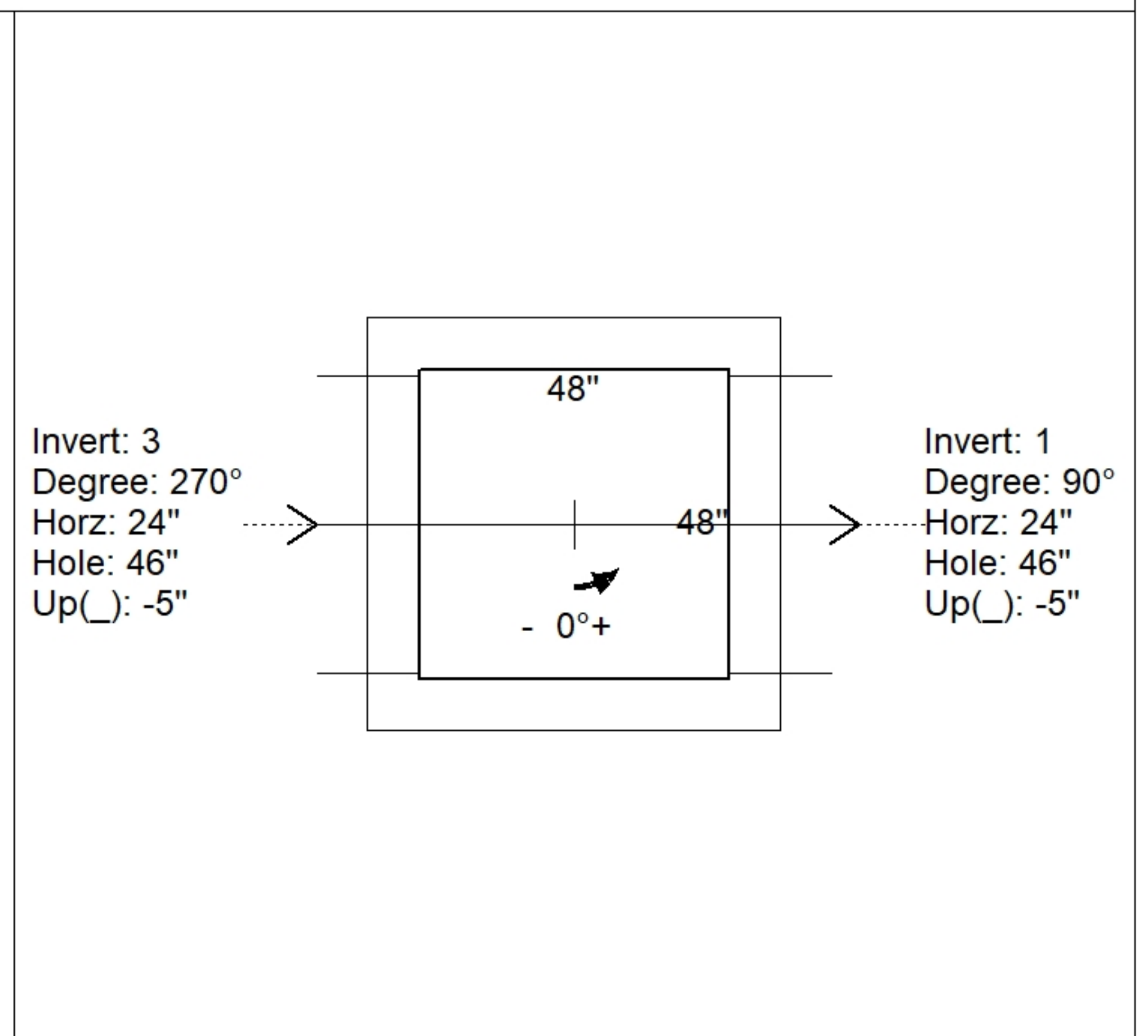
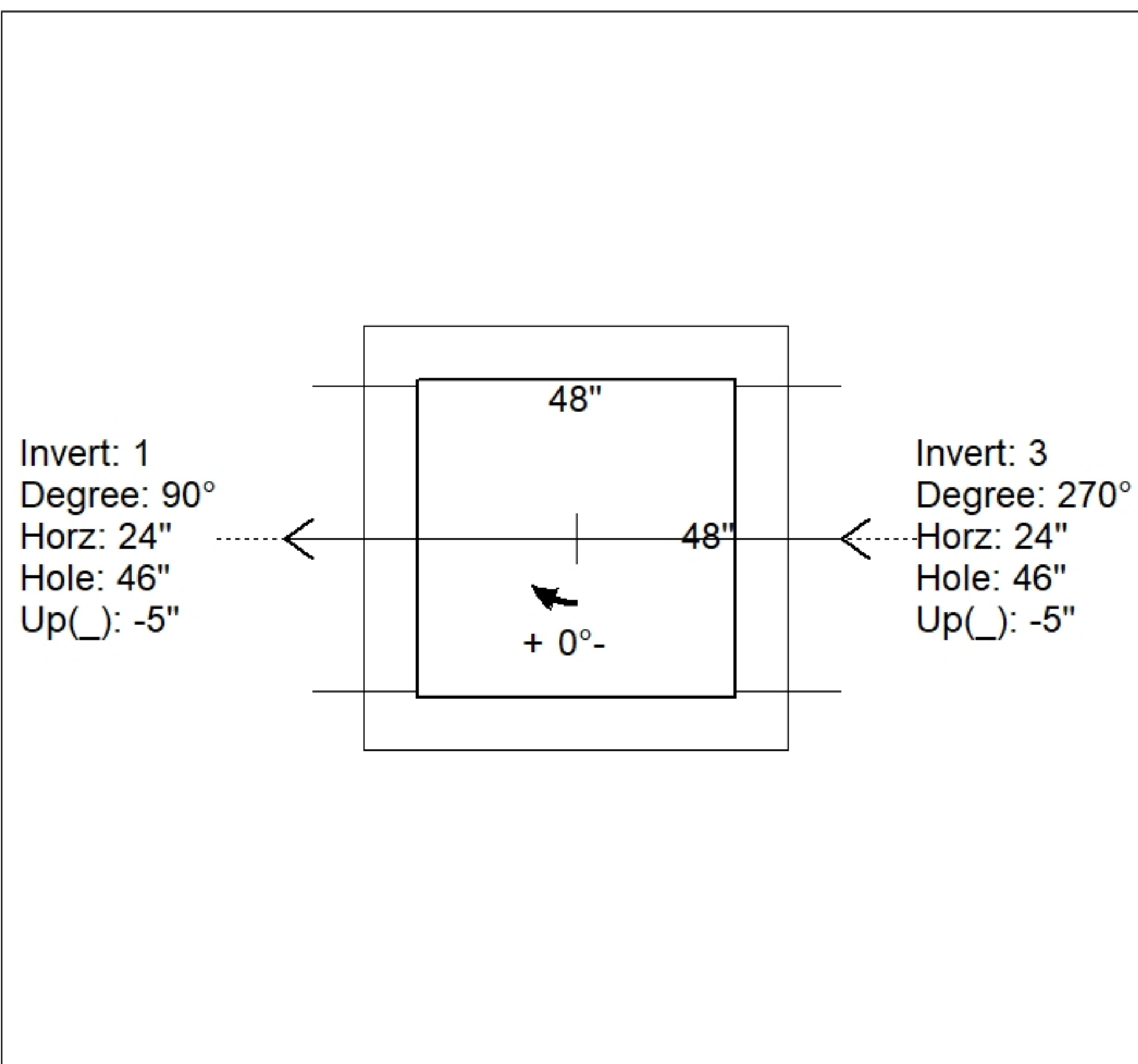
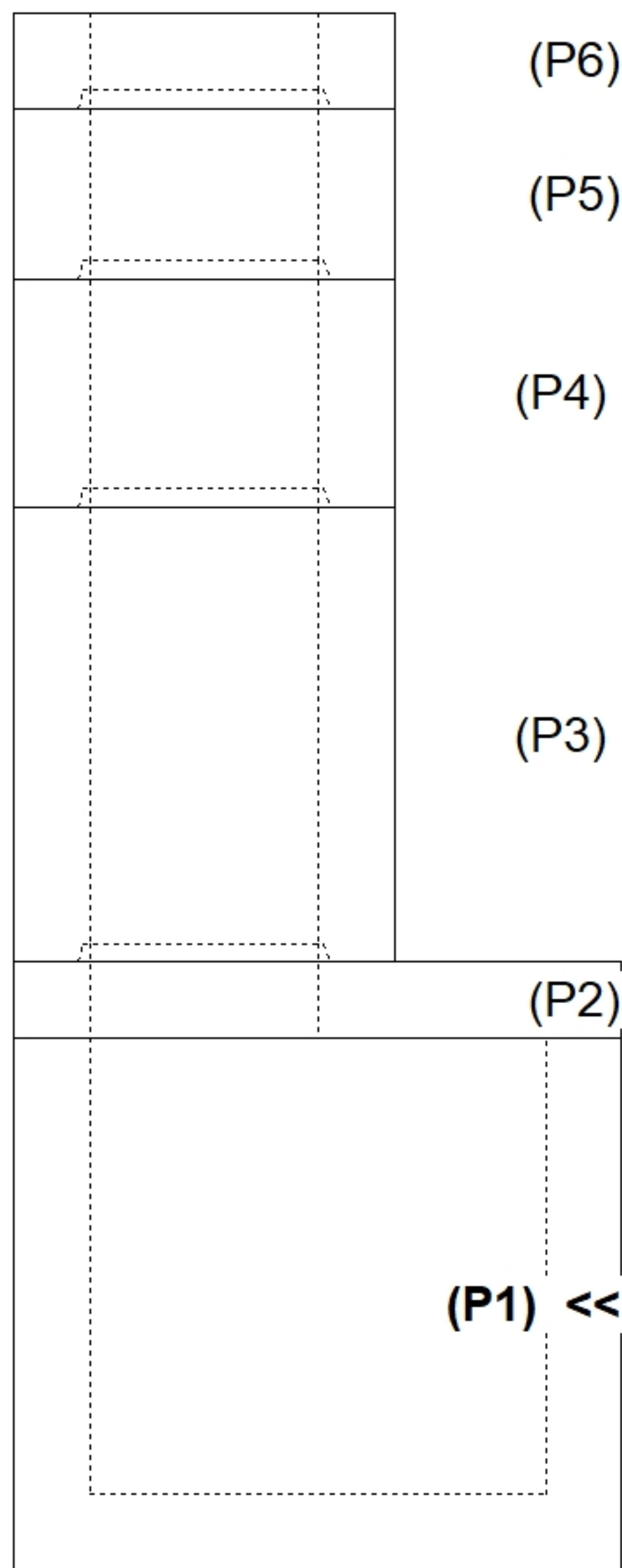
Structure Notes:
 -KYTC STATE PROJECT 241306
 -MANUFACTURED PER KYTC SPECIFICATIONS.
 -REINFORCING: #5 BAR @ 12" C/C E.W.
 -KYTC CERTIFICATIONS REQUIRED.

Rim: 740.15' Rim to Invert: 13.25' Slack: 0.25' Sump: 0' Step Position:

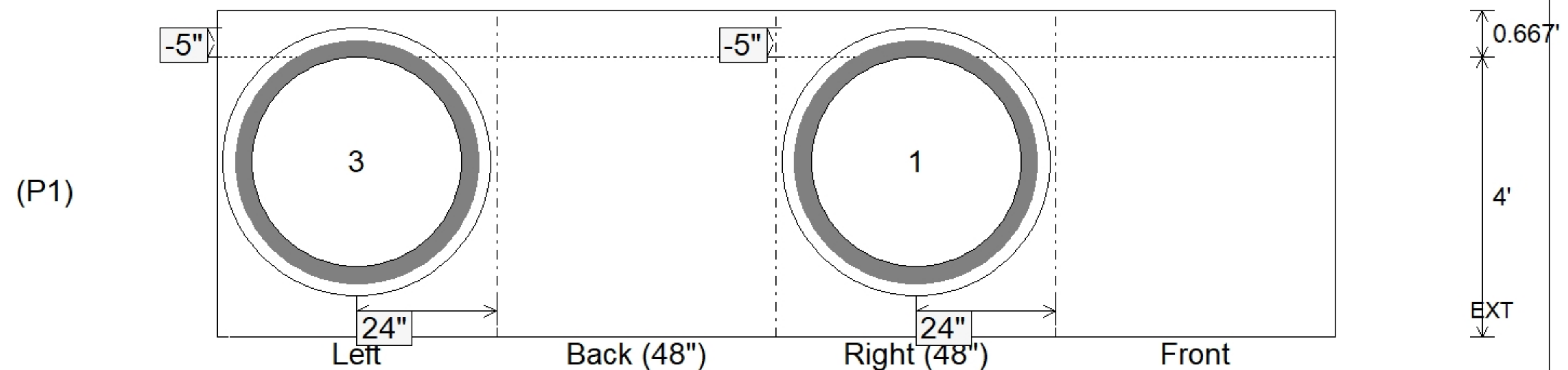
Position	Elev	Angle	Ext. (cw)	Pipe	Pipe OD	Connector	Hole	Horz Size	Up ()	Offset
Invert 1	726.9'	90°	32"	36" HDPE	41.7"	Hole 46	46"	46"	-5"	0"
Invert 2										
Invert 3	726.9'	270°	32"	36" HDPE	41.7"	Hole 46	46"	46"	-5"	0"
Invert 4										
Invert 5										
Invert 6										
Invert 7										
Invert 8										

RIGHT-SIDE UP VIEW (int. dimensions)

UPSIDE-DOWN VIEW (int. dimensions)



INSIDE WALL DIMENSIONS



Coating (Int):	Seam Up: Flat	Wall Thickness: 8"	Height (Int): 4'	Weight (Net): 7736 lb
Coating (Ext):	Seam Dn: n/a	Floor Height: 0.667'	Height (Ext): 4.667'	Volume (Net): 1.98cu.yd