

Structure ID: 535+34 RT CBI-A, 4-2

P1 BX2436-08BA36 BOX BASE 8inW, 8inF

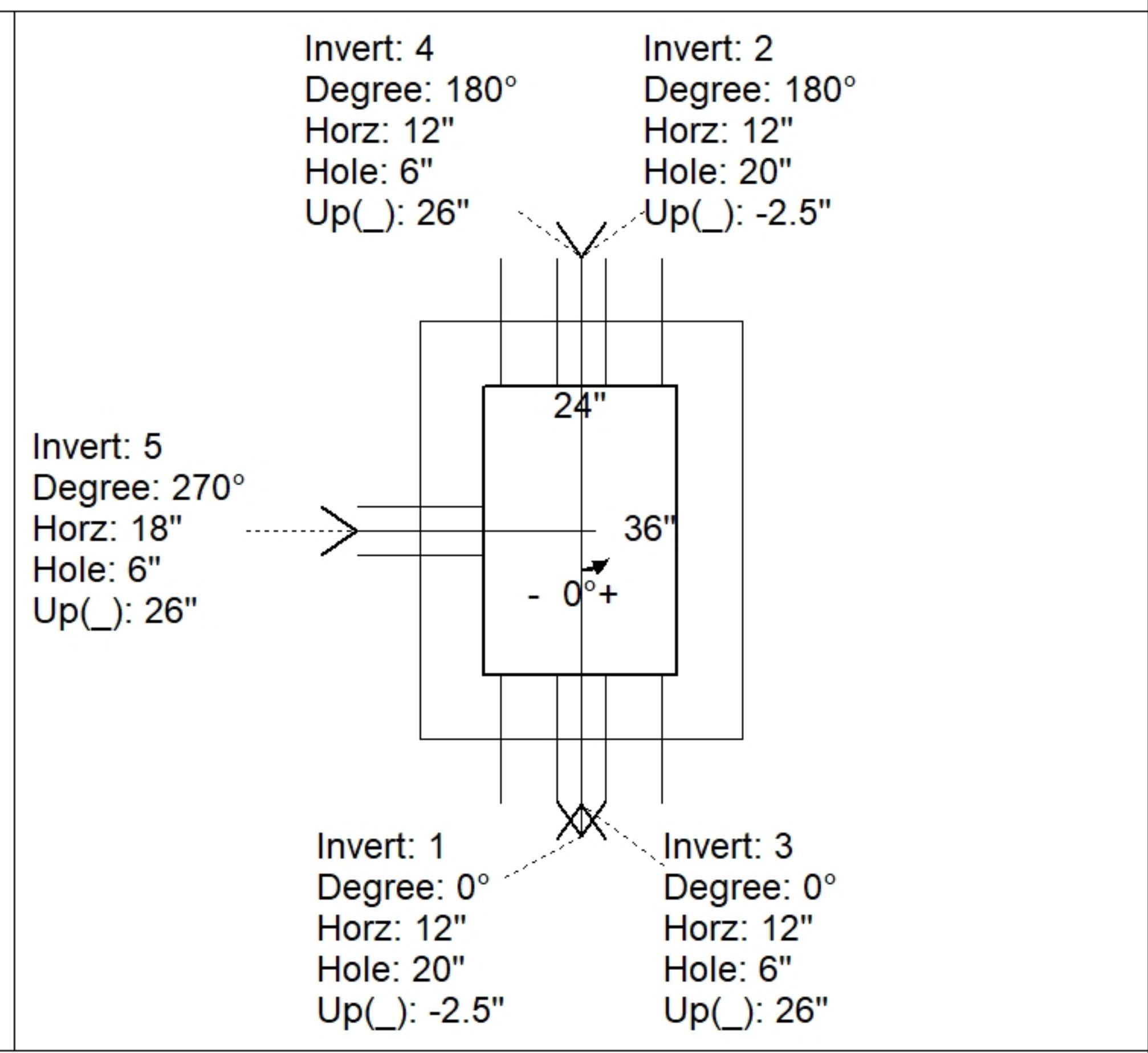
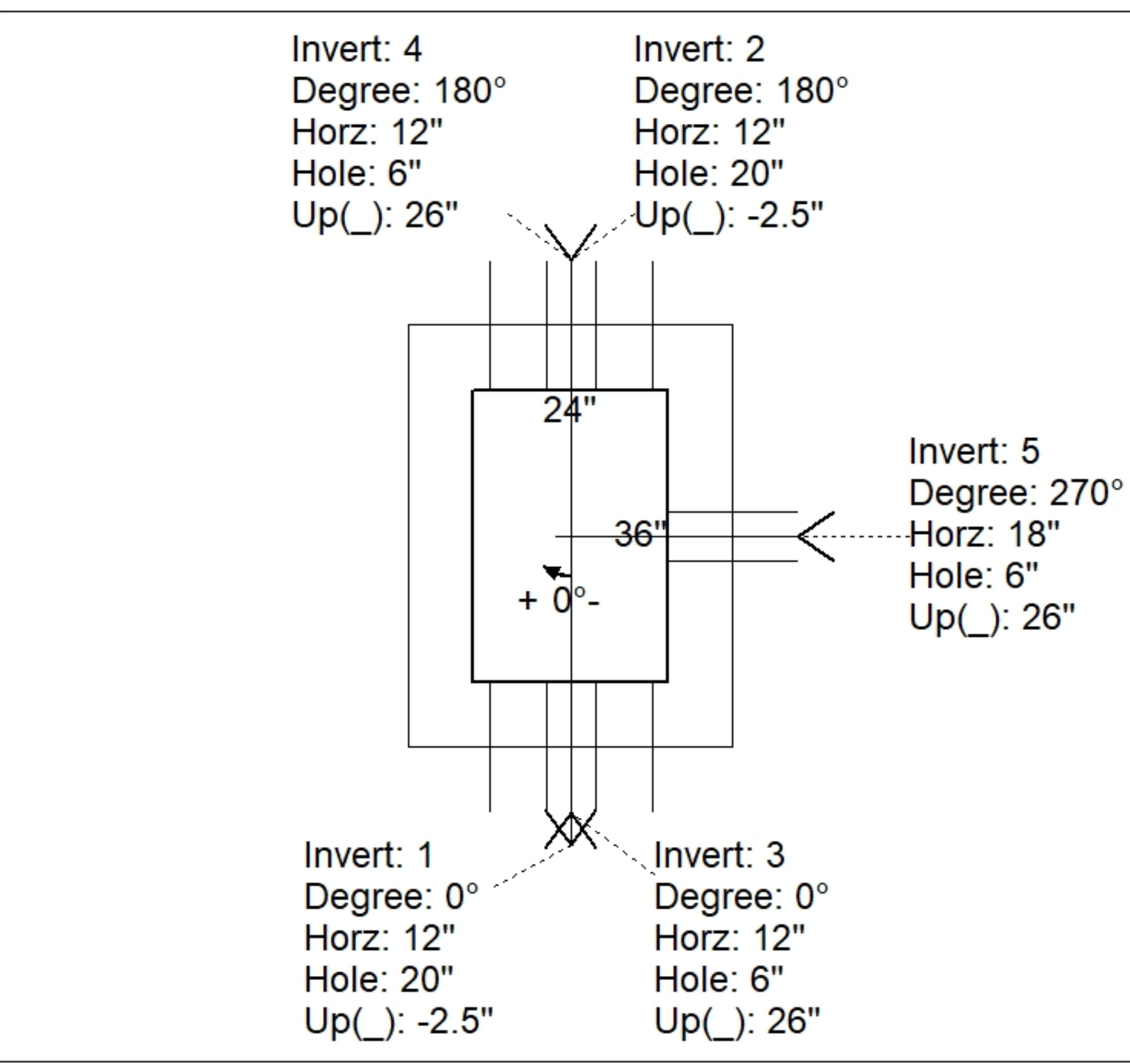
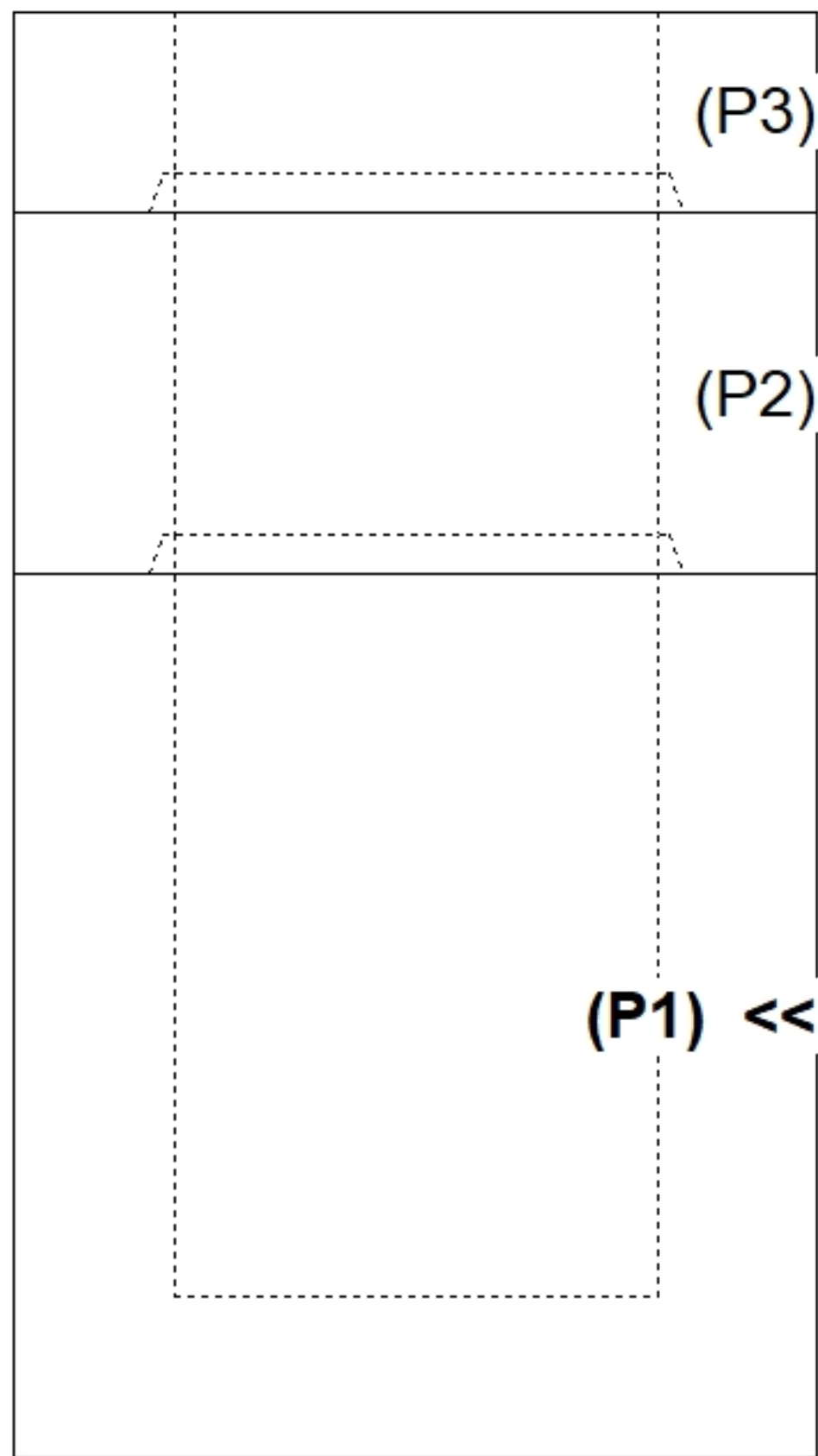
| | | |
|---|--|--|
| P3) 24" x 120" - CBITA10-TL - CB INLET KY A 10' TOP LEFT - 0.833' P2) 24" x 120" - CBITA10-BL - CB INLET KY A 10' BOTTOM LEFT - 1.5' P1) 24" x 36" - BX2436-08BA36 - BOX BASE 8inW, 8inF - 3' 1) 24" x 36" - SGL 1"x14.5' Butyl - 0' 2) Hole - 0' 3) Hole - 0' | 3400 lb 5270 lb 4591 lb 0 lb 0 lb 0 lb <hr/> Structure Total: 13260 lb | Structure Notes: -KYTC STATE PROJECT 241306 -MANUFACTURED PER KYTC SPECIFICATIONS. -REINFORCING: #5 BAR @ 12" C/C E.W. -KYTC CERTIFICATIONS REQUIRED. |
|---|--|--|

Rim: 740.14' Rim to Invert: 5.54' Slack: 0.207' Sump: 0' Step Position:

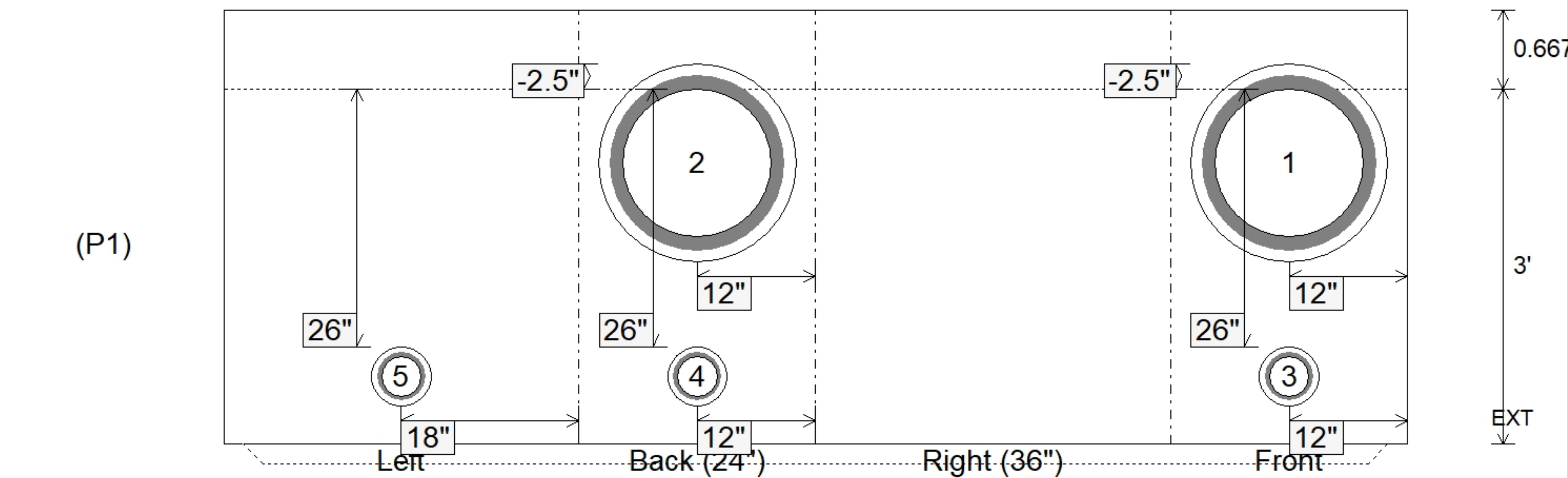
| Position | Elev | Angle | Ext. (cw) | Pipe | Pipe OD | Connector | Hole | Horz Size | Up () | Offset |
|----------|---------|-------|-----------|----------|---------|-----------|------|-----------|--------|--------|
| Invert 1 | 734.6' | 0° | 20" | 15" HDPE | 17.6" | Hole 20 | 20" | 20" | -2.5" | 0" |
| Invert 2 | 734.6' | 180° | 20" | 15" HDPE | 17.6" | Hole 20 | 20" | 20" | -2.5" | 0" |
| Invert 3 | 736.86' | 0° | 20" | 4" HDPE | 4.8" | Hole 6 | 6" | 6" | 26" | 0" |
| Invert 4 | 736.86' | 180° | 20" | 4" HDPE | 4.8" | Hole 6 | 6" | 6" | 26" | 0" |
| Invert 5 | 736.86' | 270° | 26" | 4" HDPE | 4.8" | Hole 6 | 6" | 6" | 26" | 0" |
| Invert 6 | | | | | | | | | | |
| Invert 7 | | | | | | | | | | |
| Invert 8 | | | | | | | | | | |

RIGHT-SIDE UP VIEW (int. dimensions)

UPSIDE-DOWN VIEW (int. dimensions)



INSIDE WALL DIMENSIONS



| | | | | |
|----------------------------------|---------------------------------|--|--|--|
| Coating (Int): Coating (Ext): | Seam Up: Tongue Seam Dn: n/a | Wall Thickness: 8" Floor Height: 0.667' | Height (Int): 3' Height (Ext): 3.667' | Weight (Net): 4591 lb Volume (Net): 1.17cu.yd |
|----------------------------------|---------------------------------|--|--|--|