

Job Name: 24-1632B KYTC Breathitt Co. Call 100-241306

Job Location: Breathitt Co., Ky.

Contractor: Triton Construction, Inc.

PC: C. Goff

TECH: N. Richards

Plant: Beaver Dam



Structure ID: 529+45 RT CBI-A, 4-2

Spec: KYTC

Type: CBI TYPE A (10')

Size: 24" x 36"

Rim: 740.6'

Invert: 735.8'

Rim to Invert: 4.8'

Sump: 0'

Floor (Top): 735.8'

Floor Height: 0.667'

Floor (Bot): 735.133'

Overall Height: 5.167'

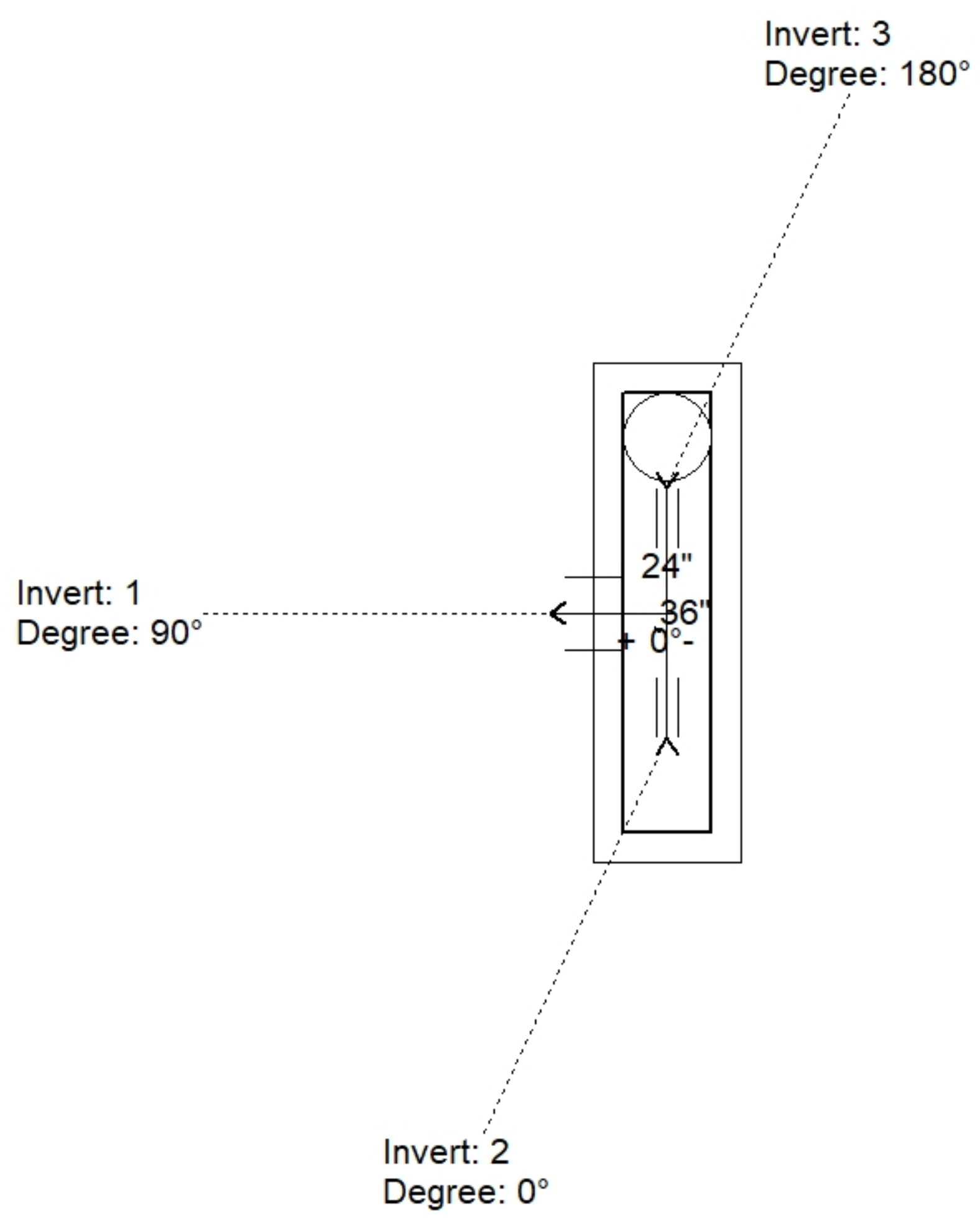
Slack: 0.3'

Structure Notes:

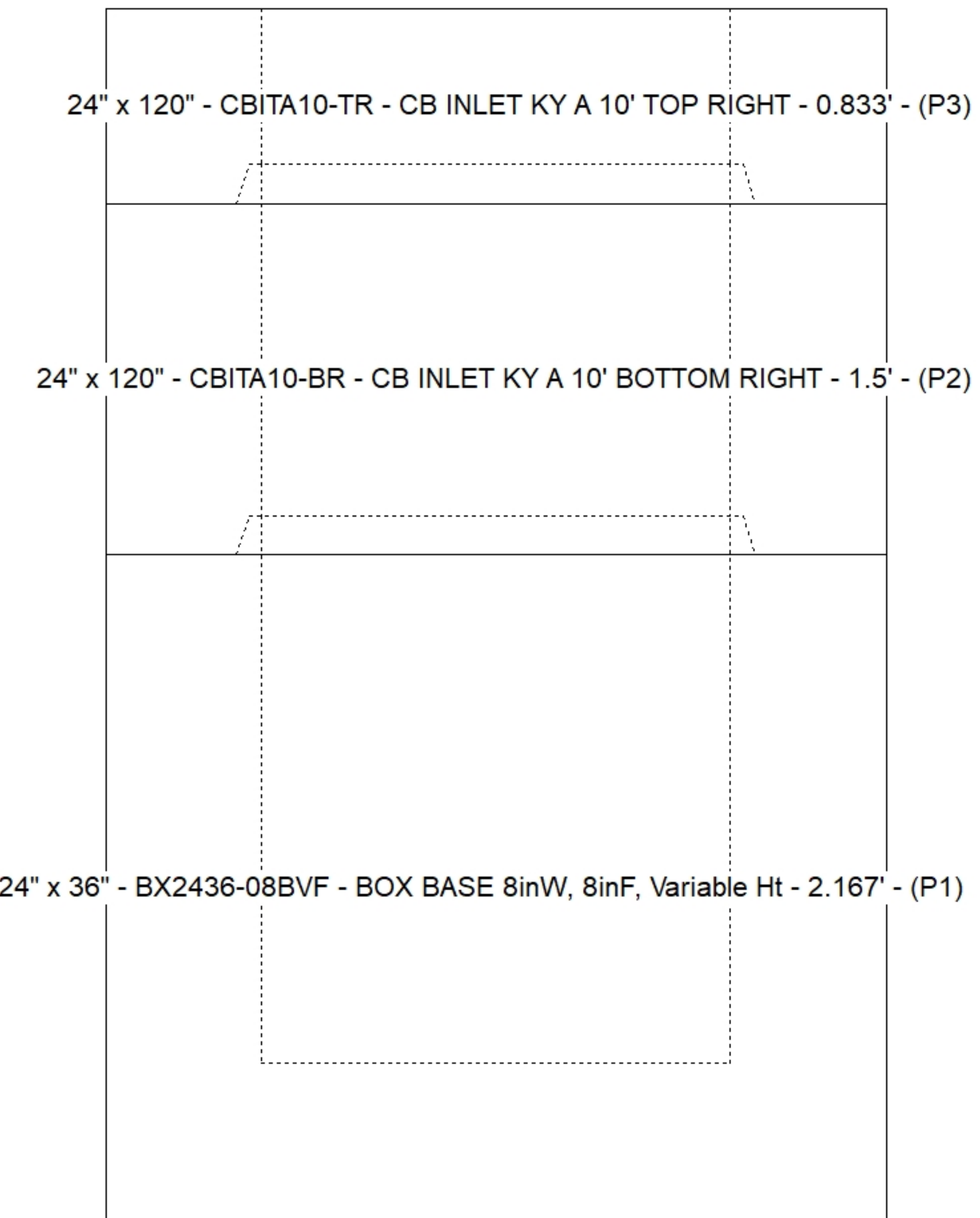
- KYTC STATE PROJECT 241306
- MANUFACTURED PER KYTC SPECIFICATIONS.
- REINFORCING: #5 BAR @ 12" C/C E.W.
- KYTC CERTIFICATIONS REQUIRED.

STRUCTURE SUMMARY:

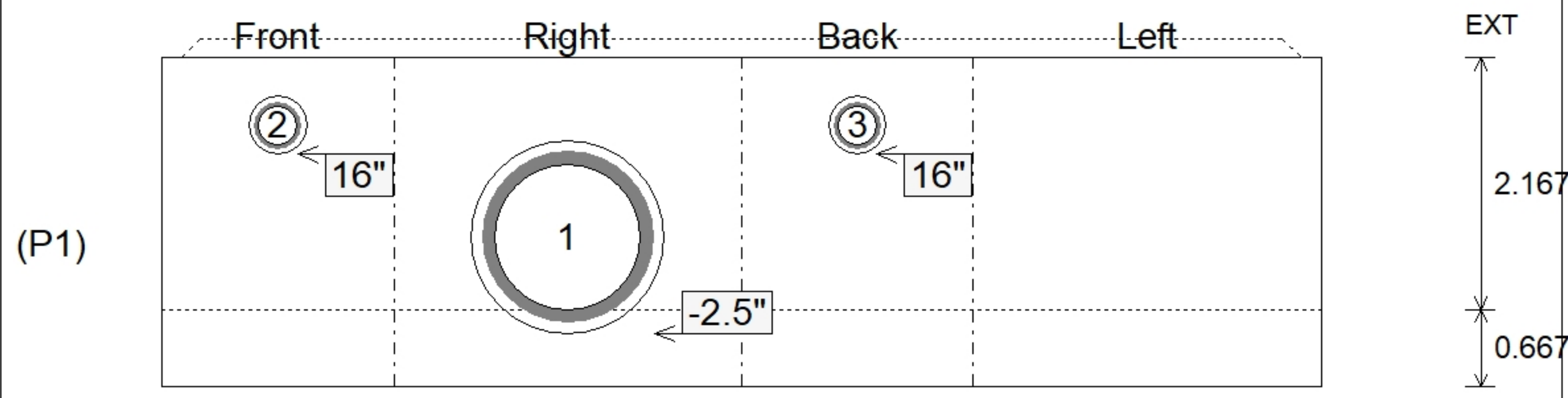
P3) 24" x 120" - CBITA10-TR - CB INLET KY A 10' TOP RIGHT - 0.833'	3398 lb
P2) 24" x 120" - CBITA10-BR - CB INLET KY A 10' BOTTOM RIGHT - 1.5'	5270 lb
P1) 24" x 36" - BX2436-08BVF - BOX BASE 8inW, 8inF, Variable Ht - 2.167'	3800 lb
1) 24" x 36" - SGL 1"x14.5' Butyl - 0'	0 lb
1) Hole - 0'	0 lb
2) Hole - 0'	0 lb
Structure Total:	12468 lb



Position	Elev	Angle	Pipe	Pipe OD	Hole	Connector	Up (")	Ref
Rim	740.6'							
Reducer								
Invert 1	735.8'	90°	15" HDPE	17.6"	20"	Hole 20	-2.5"	P1
Invert 2	737.22'	0°	4" HDPE	4.8"	6"	Hole 6	16"	P1
Invert 3	737.22'	180°	4" HDPE	4.8"	6"	Hole 6	16"	P1
Invert 4								
Invert 5								
Invert 6								
Invert 7								
Invert 8								



Default - Interior Dimensions



Submittal Drawing
2/12/2026 6:17:36 AM

SUBMITTAL
APPROVED BY: