

Structure ID: 529+45 RT CBI-A, 4-2

P1 BX2436-08BVF BOX BASE 8inW, 8inF, Variable Ht

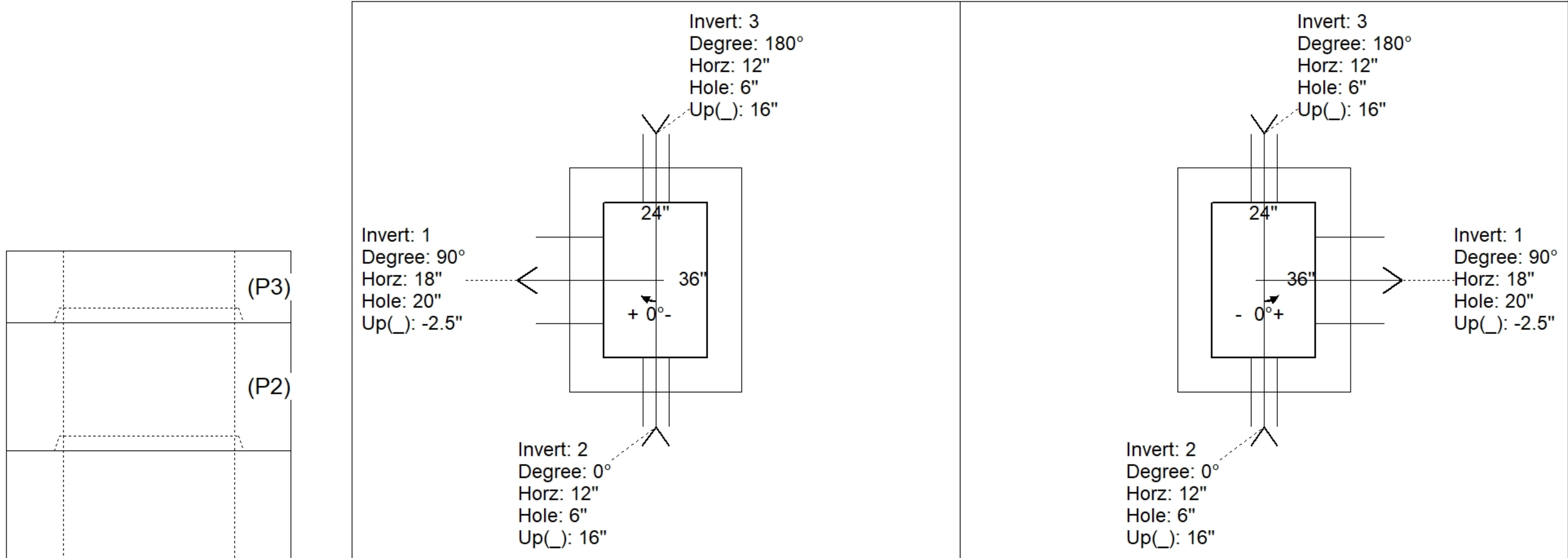
P3) 24" x 120" - CBITA10-TR - CB INLET KY A 10' TOP RIGHT - 0.833' P2) 24" x 120" - CBITA10-BR - CB INLET KY A 10' BOTTOM RIGHT - 1.5' P1) 24" x 36" - BX2436-08BVF - BOX BASE 8inW, 8inF, Variable Ht - 2.167' 1) 24" x 36" - SGL 1"x14.5' Butyl - 0' 1) Hole - 0' 2) Hole - 0'	3398 lb 5270 lb 3800 lb 0 lb 0 lb 0 lb ----- Structure Total: 12468 lb	Structure Notes: -KYTC STATE PROJECT 241306 -MANUFACTURED PER KYTC SPECIFICATIONS. -REINFORCING: #5 BAR @ 12" C/C E.W. -KYTC CERTIFICATIONS REQUIRED.
---	---	--

Rim: 740.6' Rim to Invert: 4.8' Slack: 0.3' Sump: 0' Step Position:

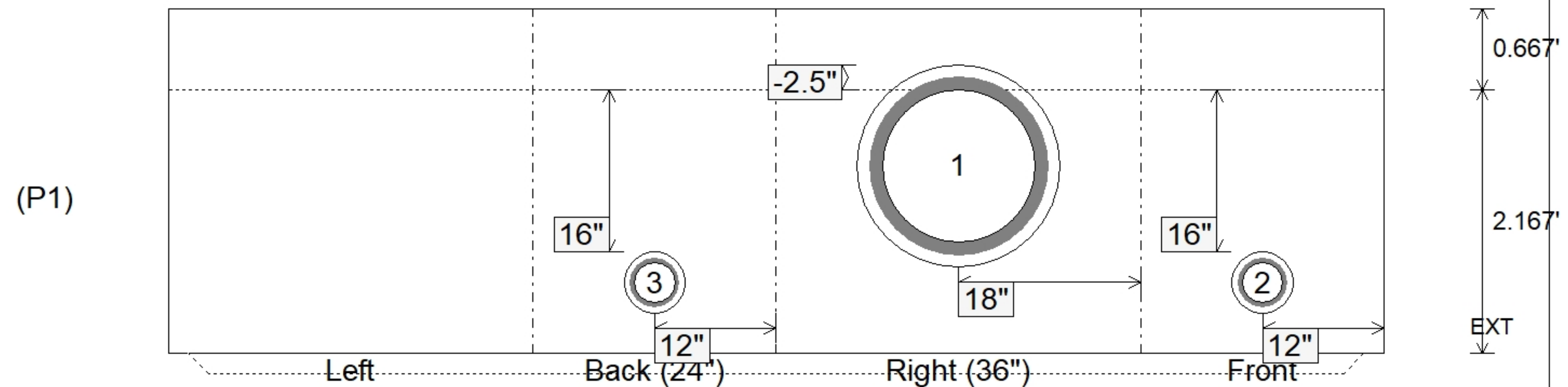
Position	Elev	Angle	Ext. (cw)	Pipe	Pipe OD	Connector	Hole	Horz Size	Up ()	Offset
Invert 1	735.8'	90°	26"	15" HDPE	17.6"	Hole 20	20"	20"	-2.5"	0"
Invert 2	737.22'	0°	20"	4" HDPE	4.8"	Hole 6	6"	6"	16"	0"
Invert 3	737.22'	180°	20"	4" HDPE	4.8"	Hole 6	6"	6"	16"	0"
Invert 4										
Invert 5										
Invert 6										
Invert 7										
Invert 8										

RIGHT-SIDE UP VIEW (int. dimensions)

UPSIDE-DOWN VIEW (int. dimensions)



INSIDE WALL DIMENSIONS



Coating (Int): Coating (Ext):	Seam Up: Tongue Seam Dn: n/a	Wall Thickness: 8" Floor Height: 0.667'	Height (Int): 2.167' Height (Ext): 2.833'	Weight (Net): 3800 lb Volume (Net): 0.97cu.yd
----------------------------------	---------------------------------	--	--	--