

**Job Name: 24-1632B KYTC Breathitt Co. Call 100-241306**  
**Job Location: Breathitt Co., Ky.**  
**Contractor: Triton Construction, Inc.**

PC: C. Goff  
 TECH: N. Richards  
 Plant: Beaver Dam



Structure ID: 524+85 RT CBI-A, 4-2  
 Spec: KYTC  
 Type: CBI TYPE A (10')  
 Size: 24" x 36"

Rim: 739.39'  
 Invert: 733.36'  
 Rim to Invert: 6.03'

Sump: 0'  
 Floor (Top): 733.36'  
 Floor Height: 0.667'

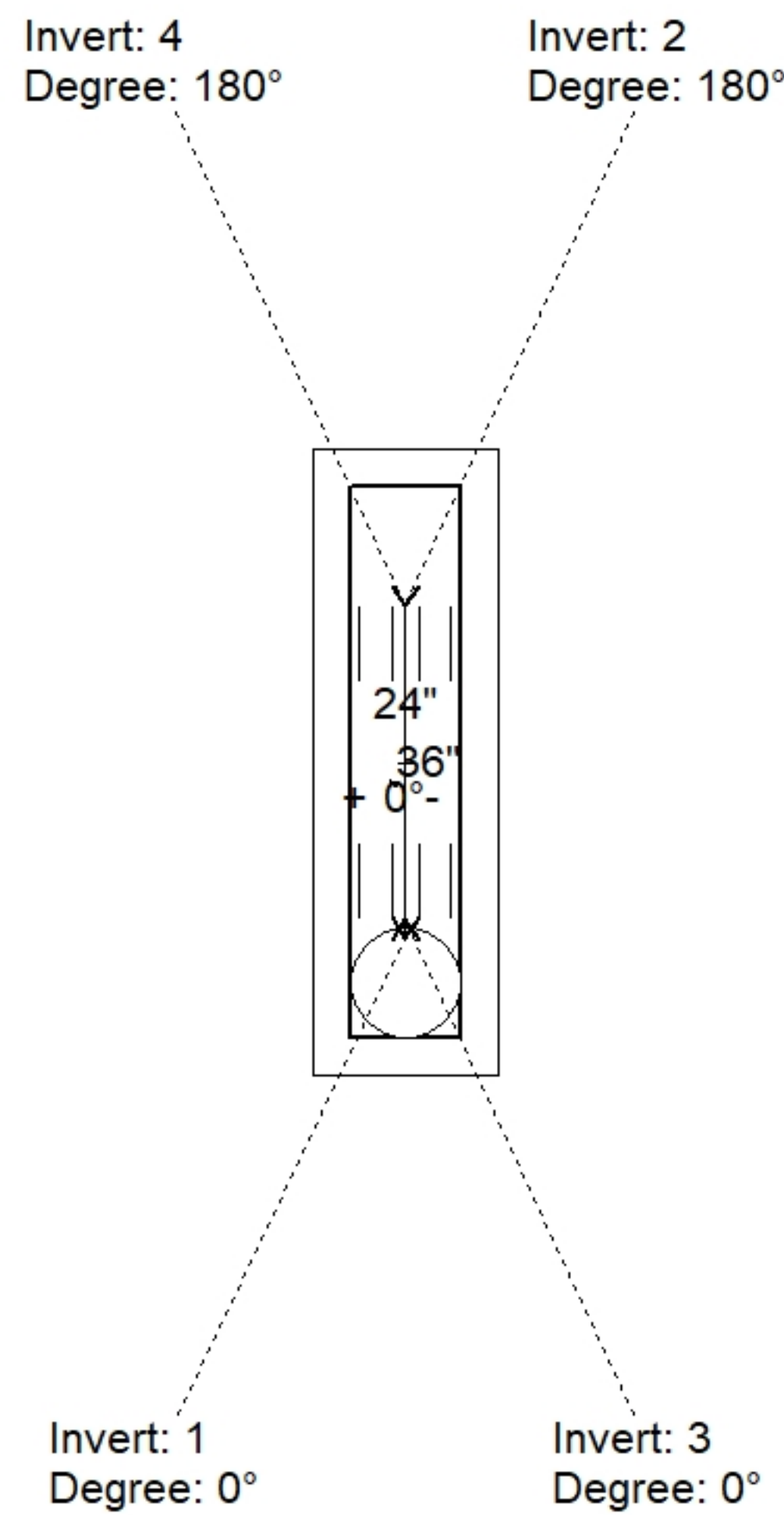
Floor (Bot): 732.693'  
 Overall Height: 6.5'  
 Slack: 0.197'

**Structure Notes:**

- KYTC STATE PROJECT 241306
- MANUFACTURED PER KYTC SPECIFICATIONS.
- REINFORCING: #5 BAR @ 12" C/C E.W.
- KYTC CERTIFICATIONS REQUIRED.

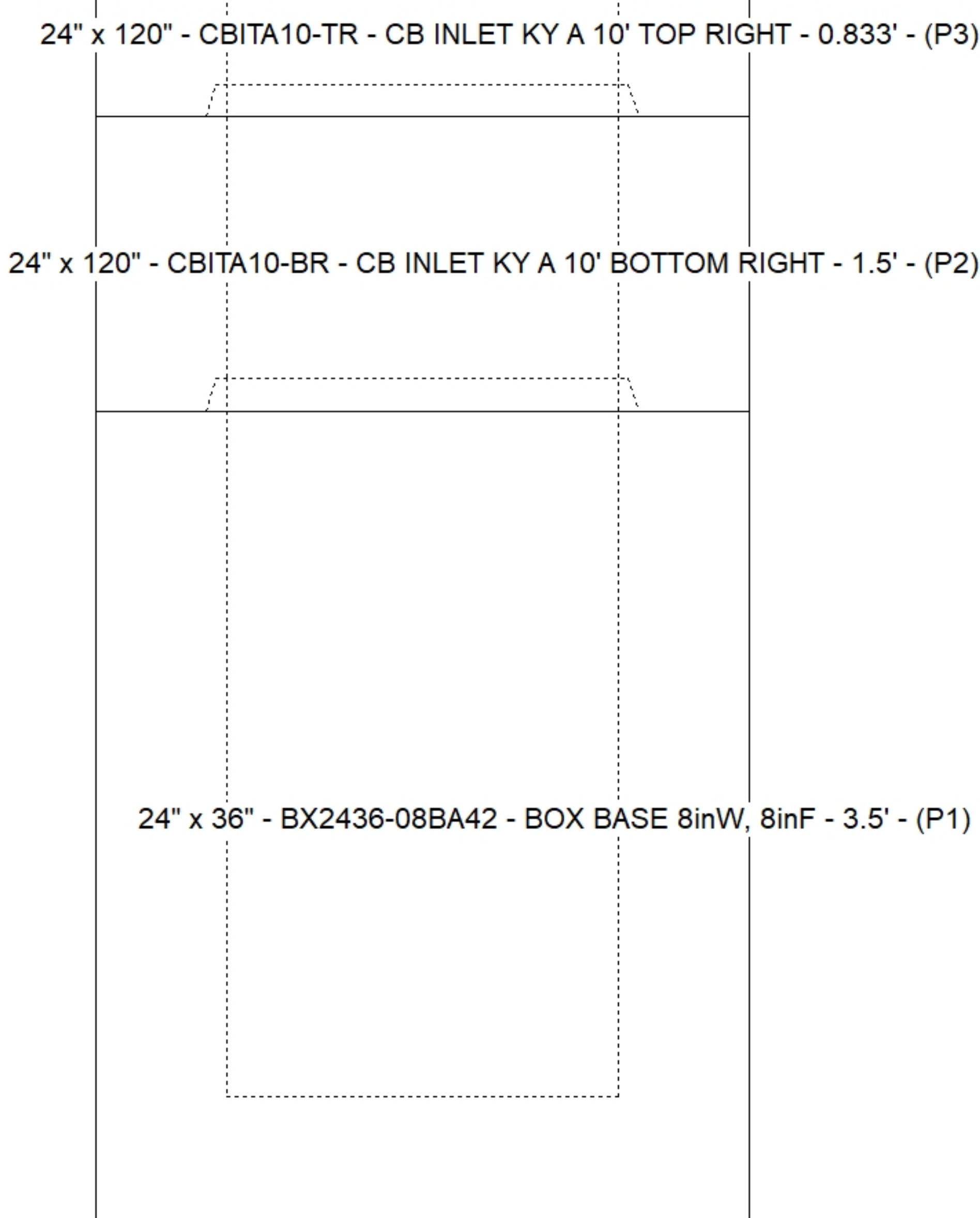
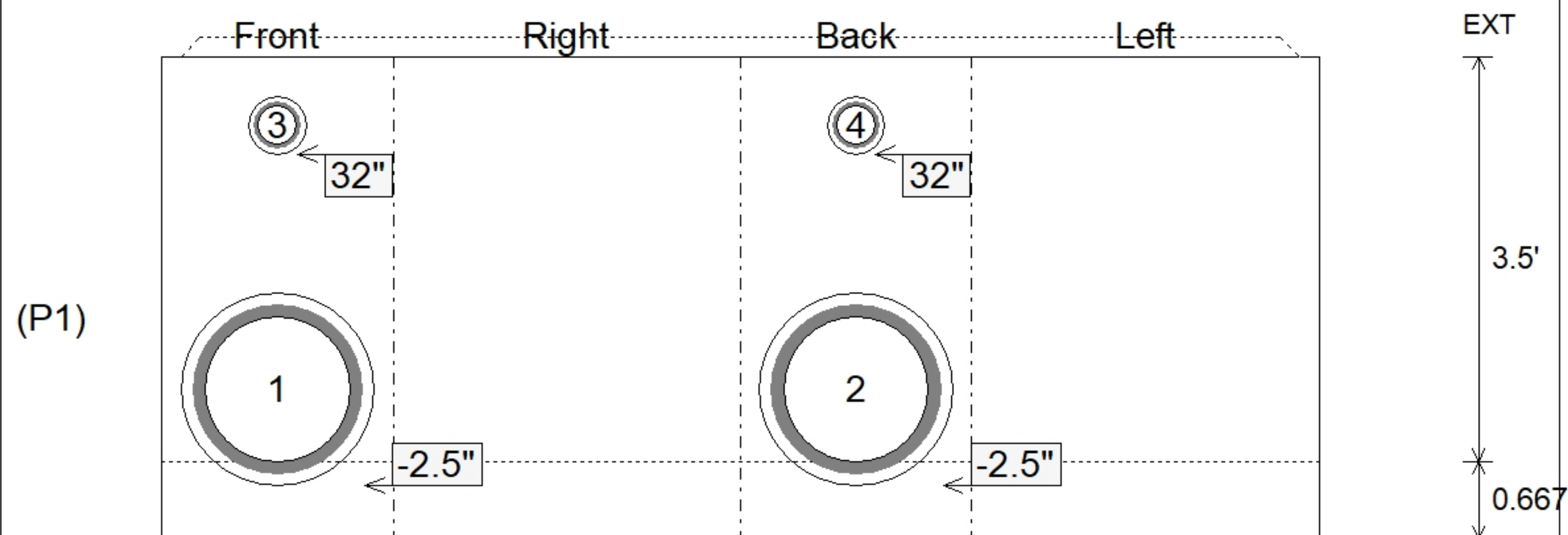
**STRUCTURE SUMMARY:**

P3) 24" x 120" - CBITA10-TR - CB INLET KY A 10' TOP RIGHT - 0.833'	3398 lb
P2) 24" x 120" - CBITA10-BR - CB INLET KY A 10' BOTTOM RIGHT - 1.5'	5270 lb
P1) 24" x 36" - BX2436-08BA42 - BOX BASE 8inW, 8inF - 3.5'	5222 lb
1) 24" x 36" - SGL 1"x14.5' Butyl - 0'	0 lb
2) Hole - 0'	0 lb
2) Hole - 0'	0 lb
<b>Structure Total:</b>	<b>13890 lb</b>



Position	Elev	Angle	Pipe	Pipe OD	Hole	Connector	Up (")	Ref
Rim	739.39'							
Reducer								
Invert 1	733.36'	0°	15" HDPE	17.6"	20"	Hole 20	-2.5"	P1
Invert 2	733.36'	180°	15" HDPE	17.6"	20"	Hole 20	-2.5"	P1
Invert 3	736.1'	0°	4" HDPE	4.8"	6"	Hole 6	32"	P1
Invert 4	736.1'	180°	4" HDPE	4.8"	6"	Hole 6	32"	P1
Invert 5								
Invert 6								
Invert 7								
Invert 8								

**Default - Interior Dimensions**



Submittal Drawing  
 2/12/2026 6:17:34 AM

SUBMITTAL  
 APPROVED BY: