

**Job Name: 24-1632B KYTC Breathitt Co. Call 100-241306**

**Job Location: Breathitt Co., Ky.**

**Contractor: Triton Construction, Inc.**

PC: C. Goff

TECH: N. Richards

Plant: Beaver Dam



Structure ID: 524+35 RT CBI-A, 4-6

Spec: KYTC

Type: CBI TYPE A (10')

Size: 24" x 36"

Rim: 739.37'

Invert: 733'

Rim to Invert: 6.37'

Sump: 0'

Floor (Top): 733'

Floor Height: 0.667'

Floor (Bot): 732.333'

Overall Height: 6.667'

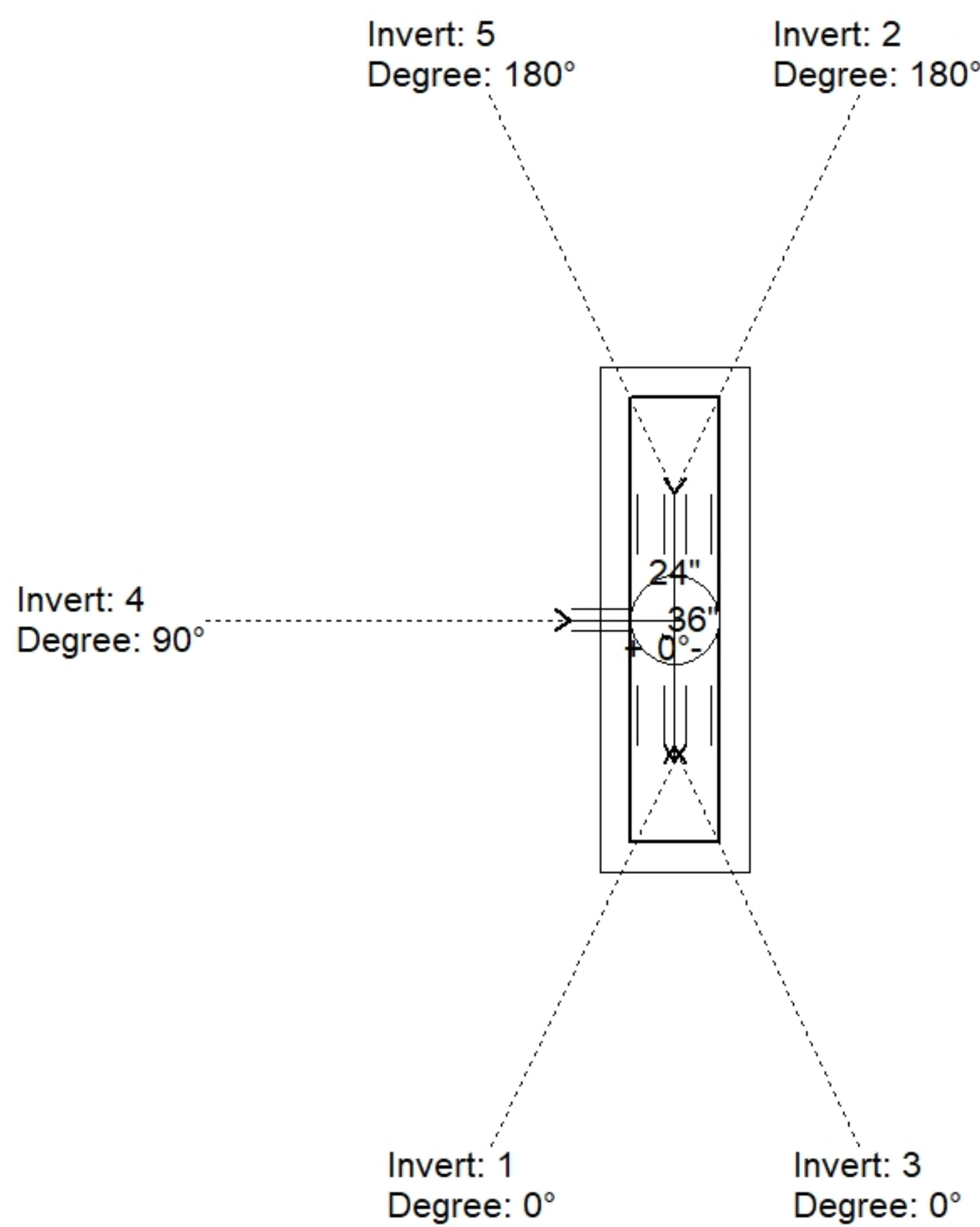
Slack: 0.37'

**Structure Notes:**

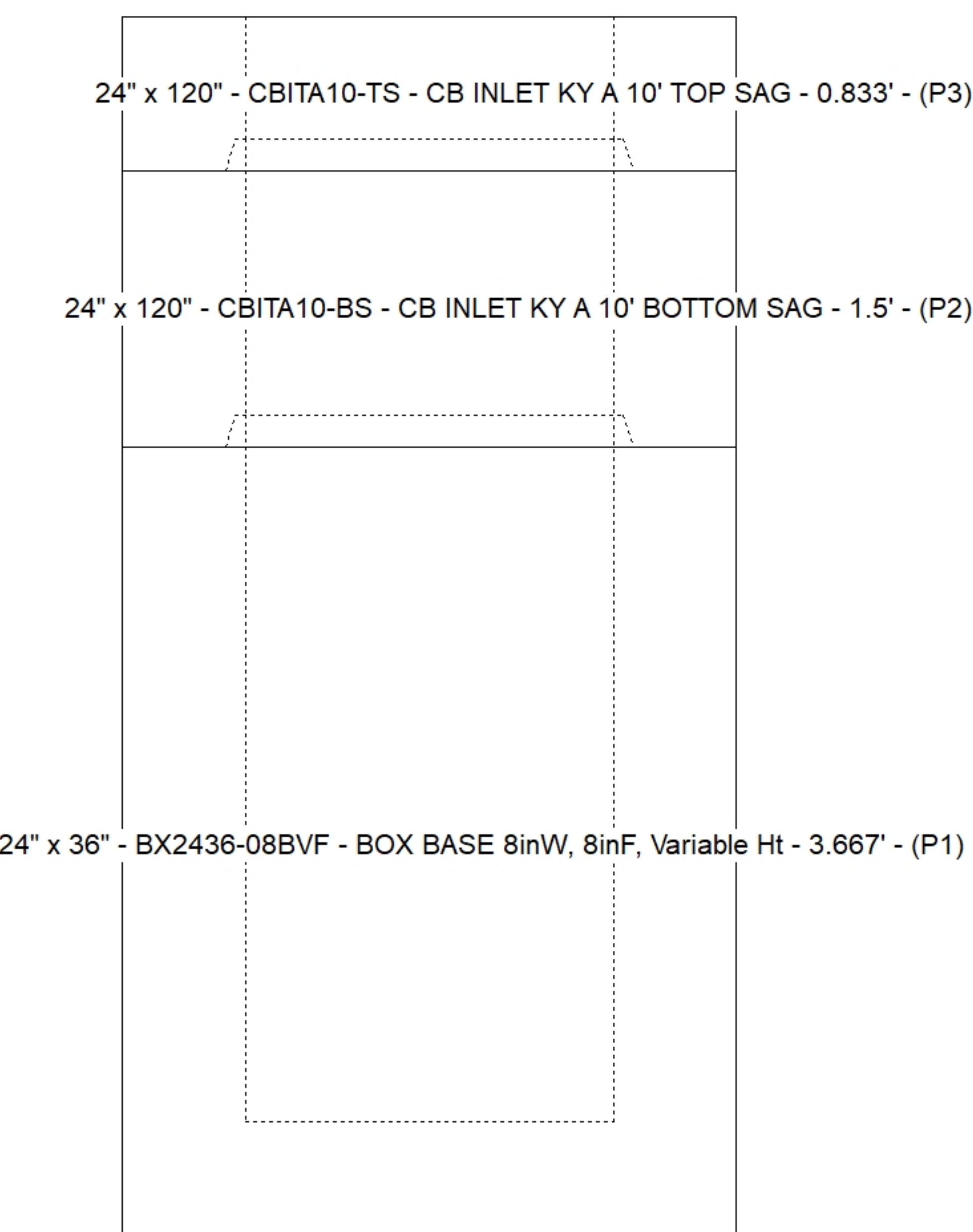
- KYTC STATE PROJECT 241306
- MANUFACTURED PER KYTC SPECIFICATIONS.
- REINFORCING: #5 BAR @ 12" C/C E.W.
- KYTC CERTIFICATIONS REQUIRED.

**STRUCTURE SUMMARY:**

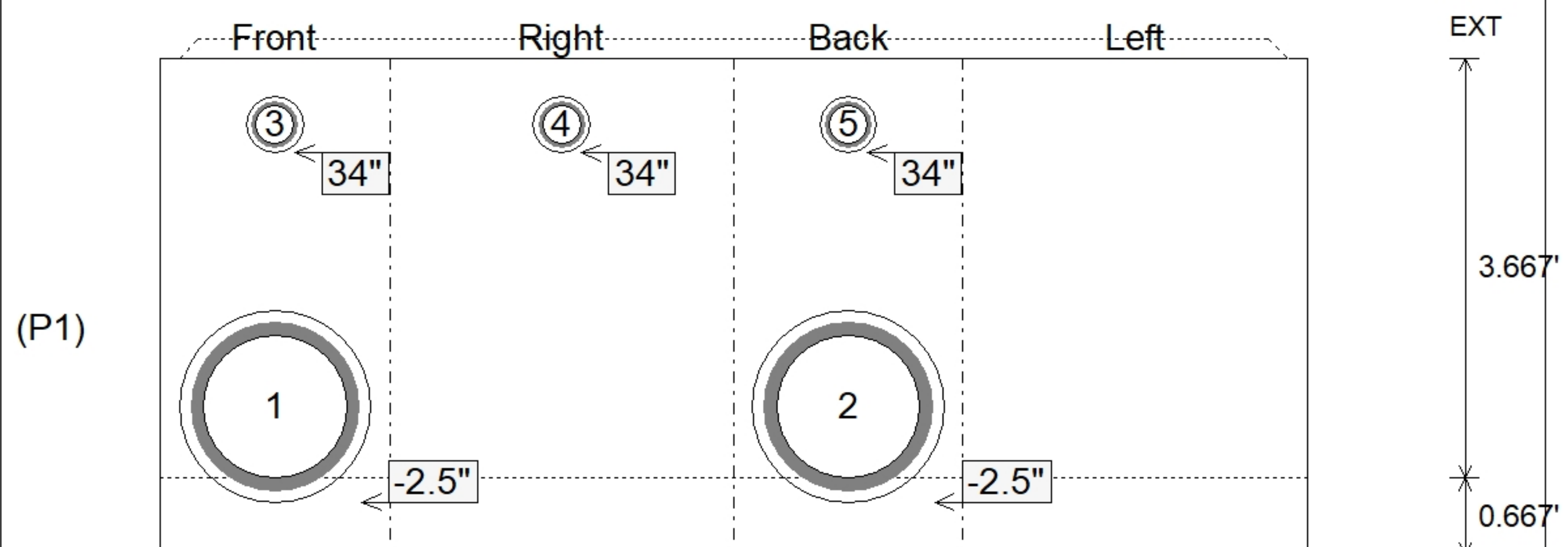
P3) 24" x 120" - CBITA10-TS - CB INLET KY A 10' TOP SAG - 0.833'	3398 lb
P2) 24" x 120" - CBITA10-BS - CB INLET KY A 10' BOTTOM SAG - 1.5'	5270 lb
P1) 24" x 36" - BX2436-08BVF - BOX BASE 8inW, 8inF, Variable Ht - 3.667'	5407 lb
1) 24" x 36" - SGL 1"x14.5' Butyl - 0'	0 lb
2) Hole - 0'	0 lb
3) Hole - 0'	0 lb
<b>Structure Total:</b>	<b>14075 lb</b>



Position	Elev	Angle	Pipe	Pipe OD	Hole	Connector	Up (")	Ref
Rim	739.37'							
Reducer								
Invert 1	733'	0°	15" HDPE	17.6"	20"	Hole 20	-2.5"	P1
Invert 2	733'	180°	15" HDPE	17.6"	20"	Hole 20	-2.5"	P1
Invert 3	735.92'	0°	4" HDPE	4.8"	6"	Hole 6	34"	P1
Invert 4	735.92'	90°	4" HDPE	4.8"	6"	Hole 6	34"	P1
Invert 5	735.92'	180°	4" HDPE	4.8"	6"	Hole 6	34"	P1
Invert 6								
Invert 7								
Invert 8								



**Default - Interior Dimensions**



Submittal Drawing  
2/12/2026 6:17:33 AM

SUBMITTAL  
APPROVED BY: