

**Structure ID: 523+85 RT CBI-A, 4-2**

**P1 BX2436-08BA48 BOX BASE 8inW, 8inF**

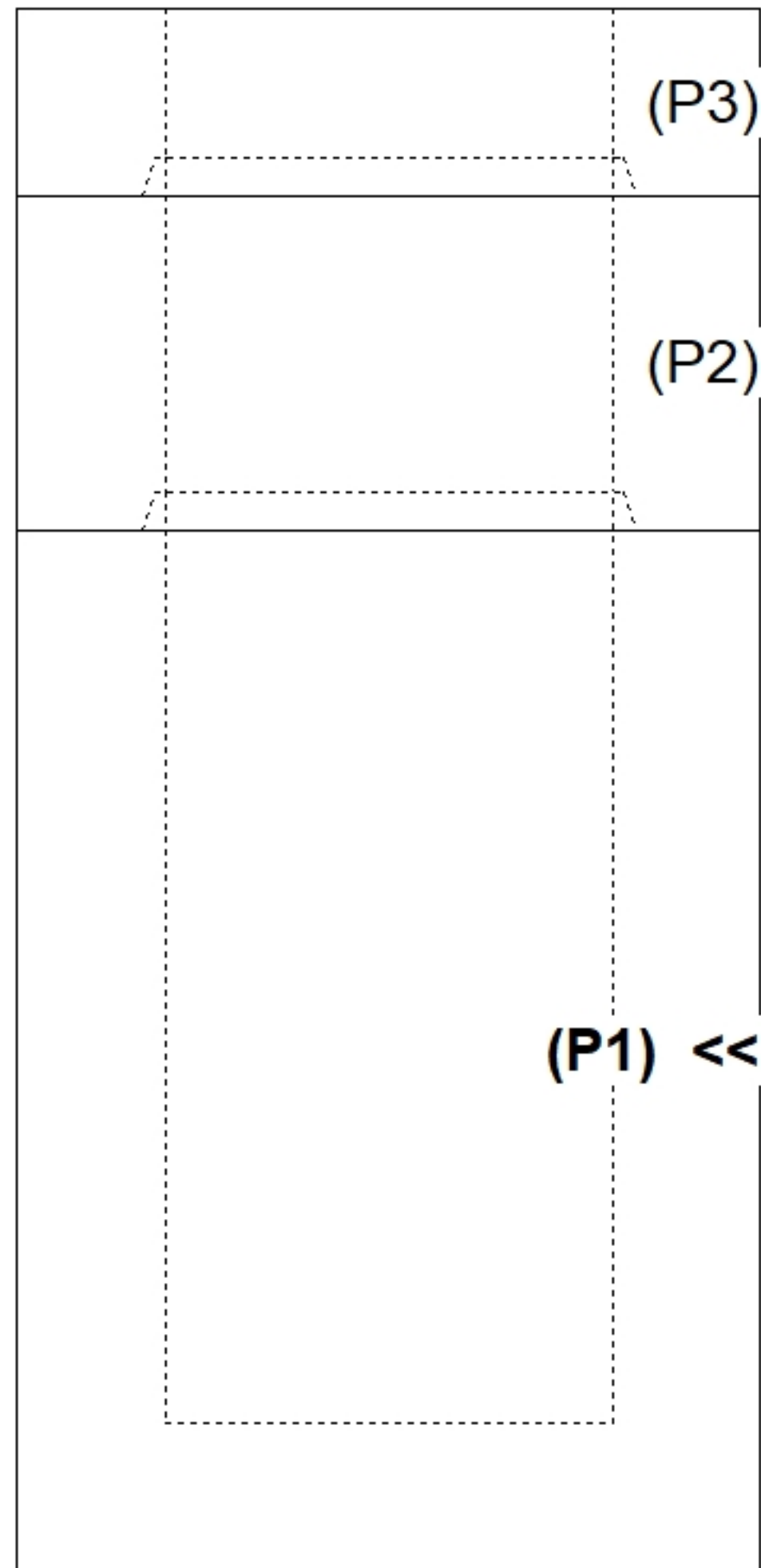
P3) 24" x 120" - CBITA10-TL - CB INLET KY A 10' TOP LEFT - 0.833' P2) 24" x 120" - CBITA10-BL - CB INLET KY A 10' BOTTOM LEFT - 1.5' P1) 24" x 36" - BX2436-08BA48 - BOX BASE 8inW, 8inF - 4' 1) 24" x 36" - SGL 1"x14.5' Butyl - 0' 2) Hole - 0' 2) Hole - 0'	3400 lb 5270 lb 5834 lb 0 lb 0 lb 0 lb ----- Structure Total: 14504 lb	<b>Structure Notes:</b> -KYTC STATE PROJECT 241306 -MANUFACTURED PER KYTC SPECIFICATIONS. -REINFORCING: #5 BAR @ 12" C/C E.W. -KYTC CERTIFICATIONS REQUIRED.
---	---	--

Rim: 739.37'    Rim to Invert: 6.7'    Slack: 0.367'    Sump: 0'    Step Position:

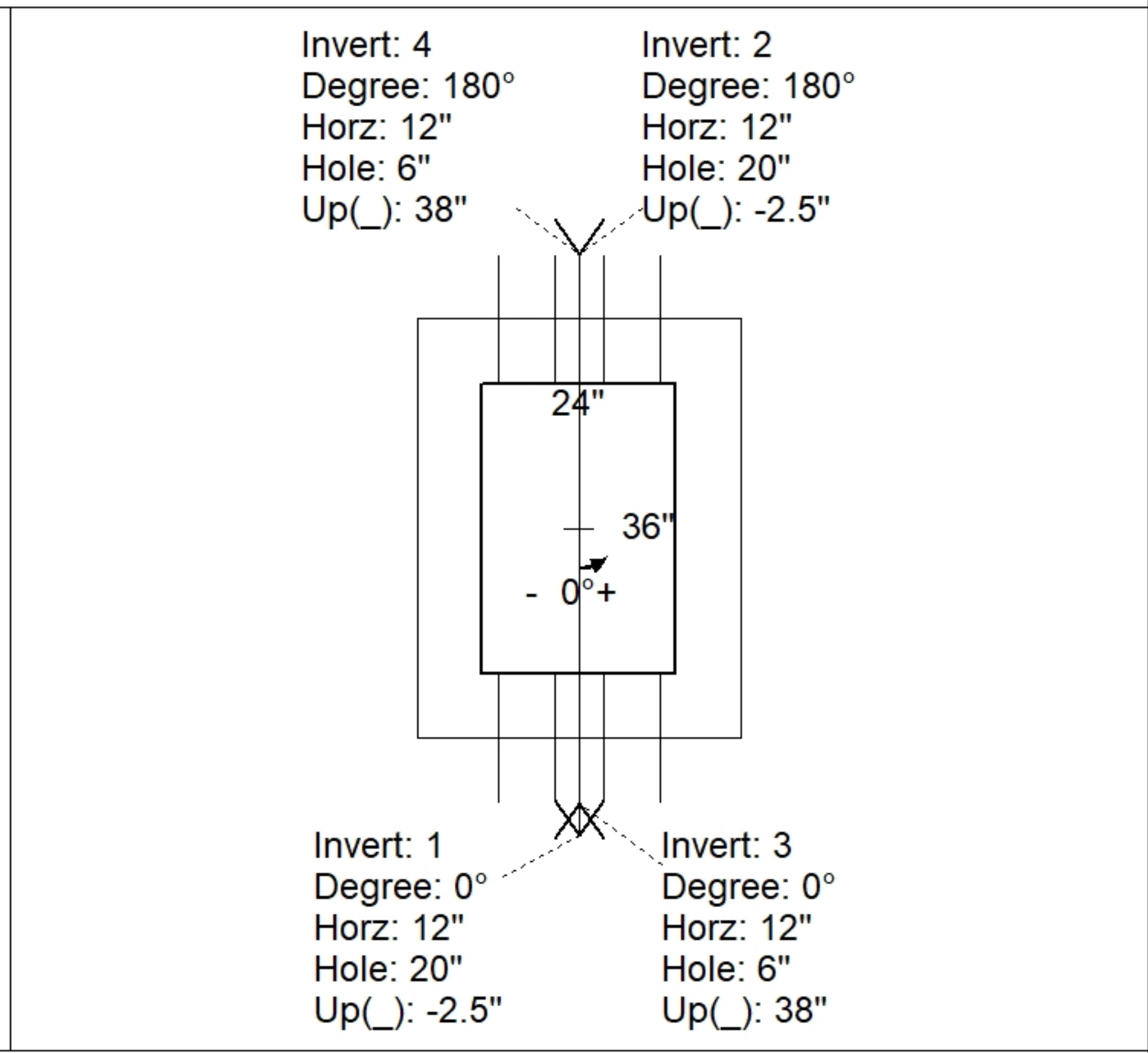
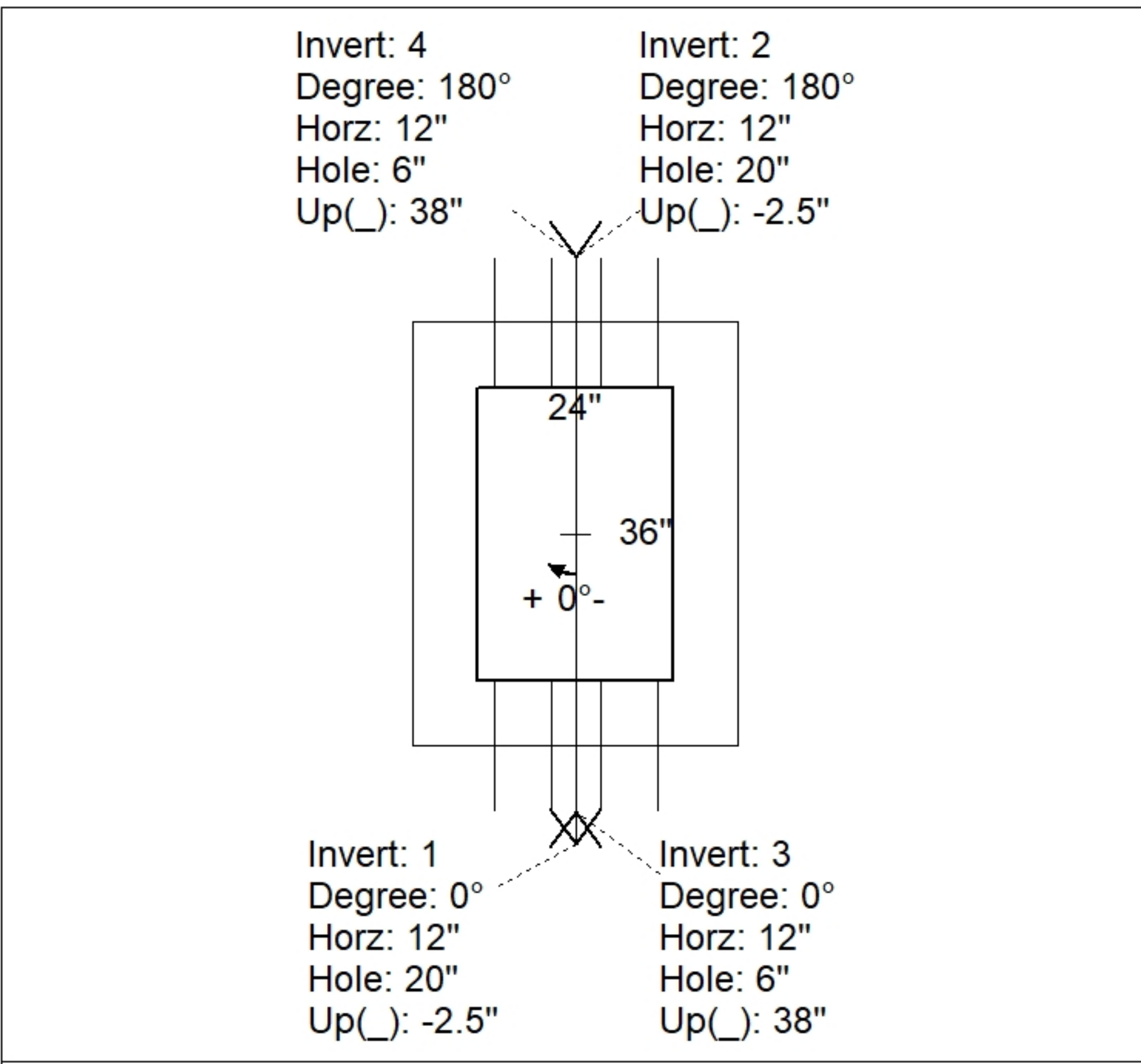
Position	Elev	Angle	Ext. (cw)	Pipe	Pipe OD	Connector	Hole	Horz Size	Up ( )	Offset
Invert 1	732.67'	0°	20"	15" HDPE	17.6"	Hole 20	20"	20"	-2.5"	0"
Invert 2	732.67'	180°	20"	15" HDPE	17.6"	Hole 20	20"	20"	-2.5"	0"
Invert 3	735.92'	0°	20"	4" HDPE	4.8"	Hole 6	6"	6"	38"	0"
Invert 4	735.92'	180°	20"	4" HDPE	4.8"	Hole 6	6"	6"	38"	0"
Invert 5										
Invert 6										
Invert 7										
Invert 8										

**RIGHT-SIDE UP VIEW (int. dimensions)**

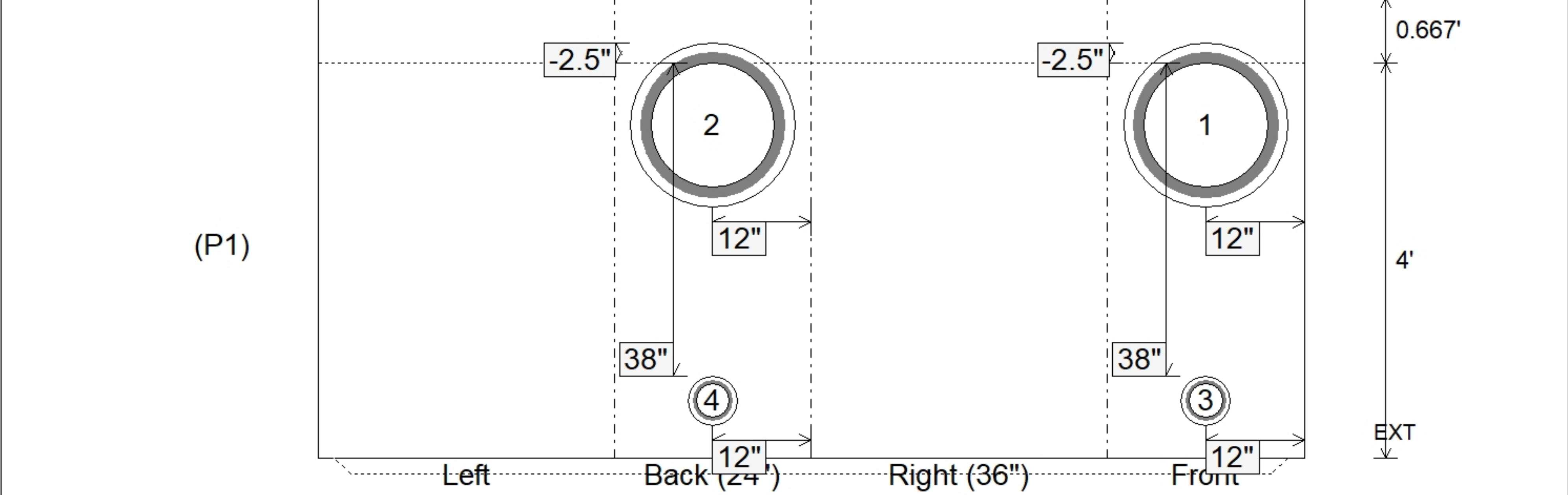
**UPSIDE-DOWN VIEW (int. dimensions)**



(P1) <<



**INSIDE WALL DIMENSIONS**



Coating (Int): Coating (Ext):	Seam Up: Tongue Seam Dn: n/a	Wall Thickness: 8" Floor Height: 0.667'	Height (Int): 4' Height (Ext): 4.667'	Weight (Net): 5834 lb Volume (Net): 1.49cu.yd
----------------------------------	---------------------------------	--	--	--