

Job Name: 24-1632B KYTC Breathitt Co. Call 100-241306
Job Location: Breathitt Co., Ky.
Contractor: Triton Construction, Inc.

PC: C. Goff
 TECH: N. Richards
 Plant: Beaver Dam



Structure ID: 522+50 RT CBI-A, 21-2
 Spec: KYTC
 Type: CBI TYPE A (10')
 Size: 36" x 36"

Rim: 739.63'
 Invert: 731.65'
 Rim to Invert: 7.98'

Sump: 0'
 Floor (Top): 731.65'
 Floor Height: 0.667'

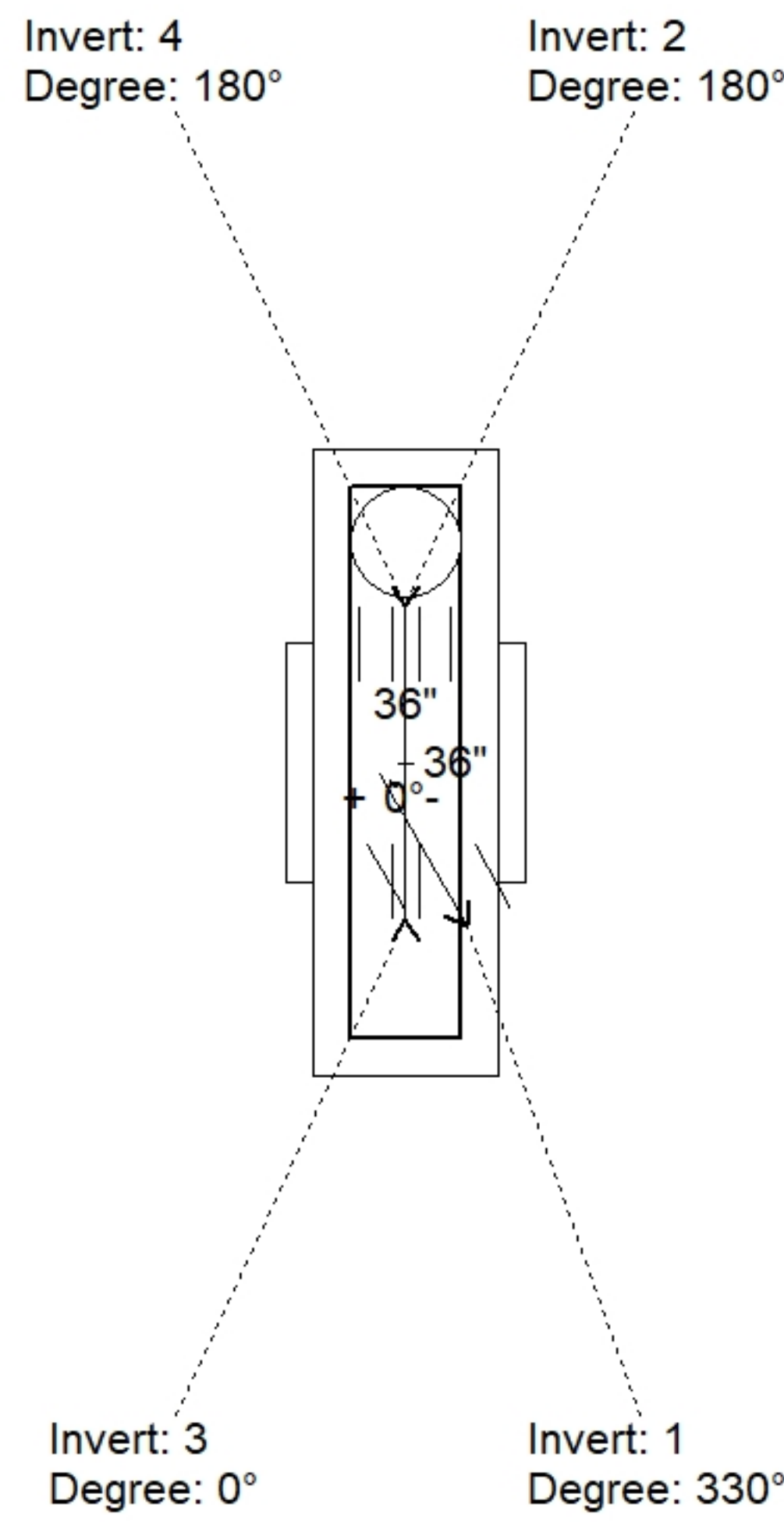
Floor (Bot): 730.983'
 Overall Height: 8.167'
 Slack: 0.48'

Structure Notes:

- KYTC STATE PROJECT 241306
- MANUFACTURED PER KYTC SPECIFICATIONS.
- REINFORCING: #5 BAR @ 12" C/C E.W.
- KYTC CERTIFICATIONS REQUIRED.

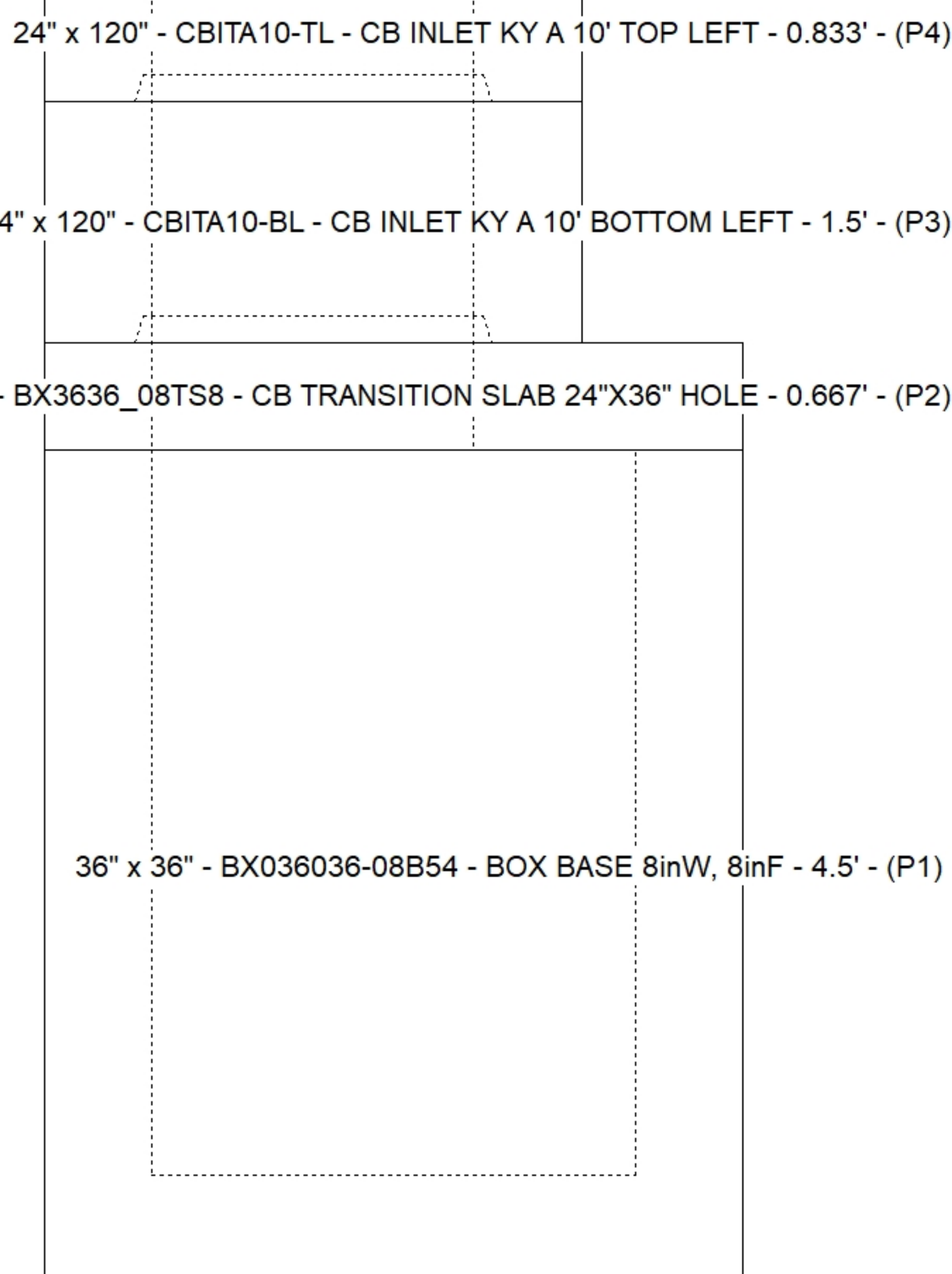
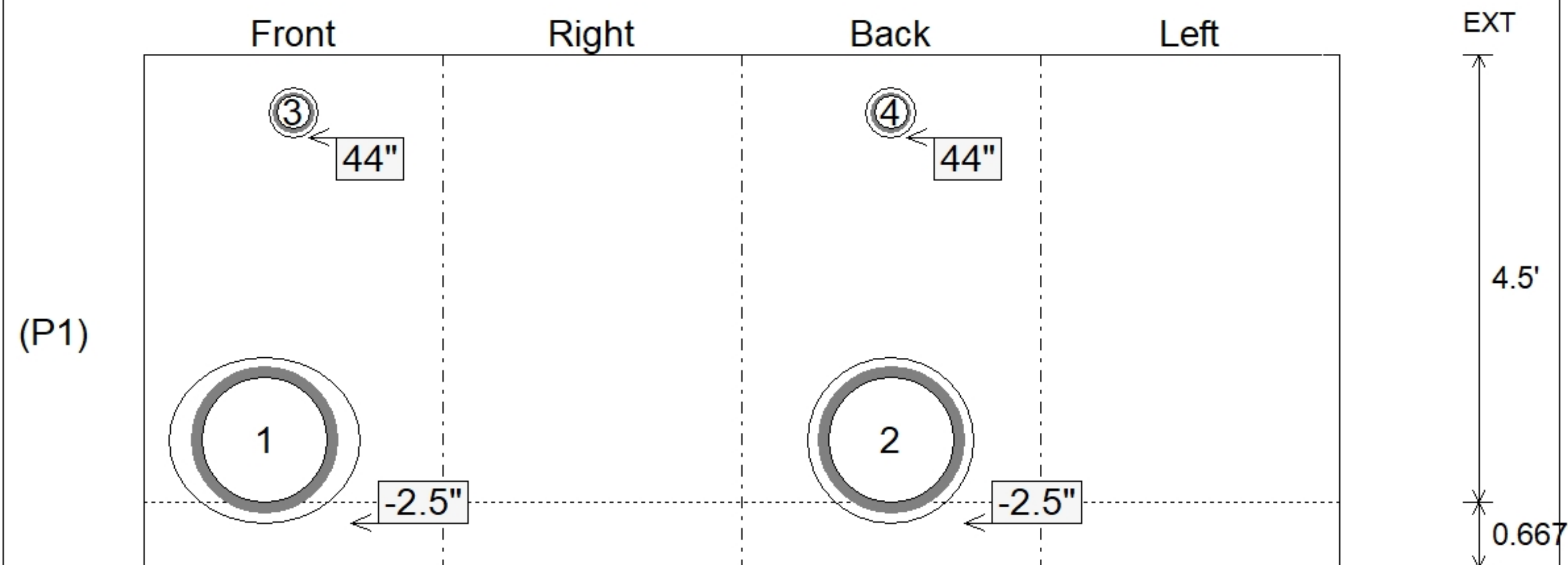
STRUCTURE SUMMARY:

P4) 24" x 120" - CBITA10-TL - CB INLET KY A 10' TOP LEFT - 0.833'	3400 lb
P3) 24" x 120" - CBITA10-BL - CB INLET KY A 10' BOTTOM LEFT - 1.5'	5270 lb
P2) 36" x 36" - BX3636_08TS8 - CB TRANSITION SLAB 24"X36" HOLE - 0.667'	1235 lb
P1) 36" x 36" - BX036036-08B54 - BOX BASE 8inW, 8inF - 4.5'	7703 lb
2) Hole - 0'	0 lb
2) Hole - 0'	0 lb
Structure Total:	17608 lb



Position	Elev	Angle	Pipe	Pipe OD	Hole	Connector	Up (")	Ref
Rim	739.63'							
Reducer	736.15'							
Invert 1	731.65'	330°	15" HDPE	17.6"	20"	Hole 20	-2.5"	P1
Invert 2	731.65'	180°	15" HDPE	17.6"	20"	Hole 20	-2.5"	P1
Invert 3	735.4'	0°	4" HDPE	4.8"	6"	Hole 6	44"	P1
Invert 4	735.4'	180°	4" HDPE	4.8"	6"	Hole 6	44"	P1
Invert 5								
Invert 6								
Invert 7								
Invert 8								

Default - Interior Dimensions



Submittal Drawing
 2/12/2026 6:17:27 AM

SUBMITTAL
 APPROVED BY: