

Structure ID: 522+50 RT CBI-A, 21-2

P1 BX036036-08B54 BOX BASE 8inW, 8inF

P4) 24" x 120" - CBITA10-TL - CB INLET KY A 10' TOP LEFT - 0.833' P3) 24" x 120" - CBITA10-BL - CB INLET KY A 10' BOTTOM LEFT - 1.5' P2) 36" x 36" - BX3636_08TS8 - CB TRANSITION SLAB 24"X36" HOLE - 0.667' P1) 36" x 36" - BX036036-08B54 - BOX BASE 8inW, 8inF - 4.5' 2) Hole - 0' 2) Hole - 0'	3400 lb 5270 lb 1235 lb 7703 lb 0 lb 0 lb <hr/> Structure Total: 17608 lb
---	---

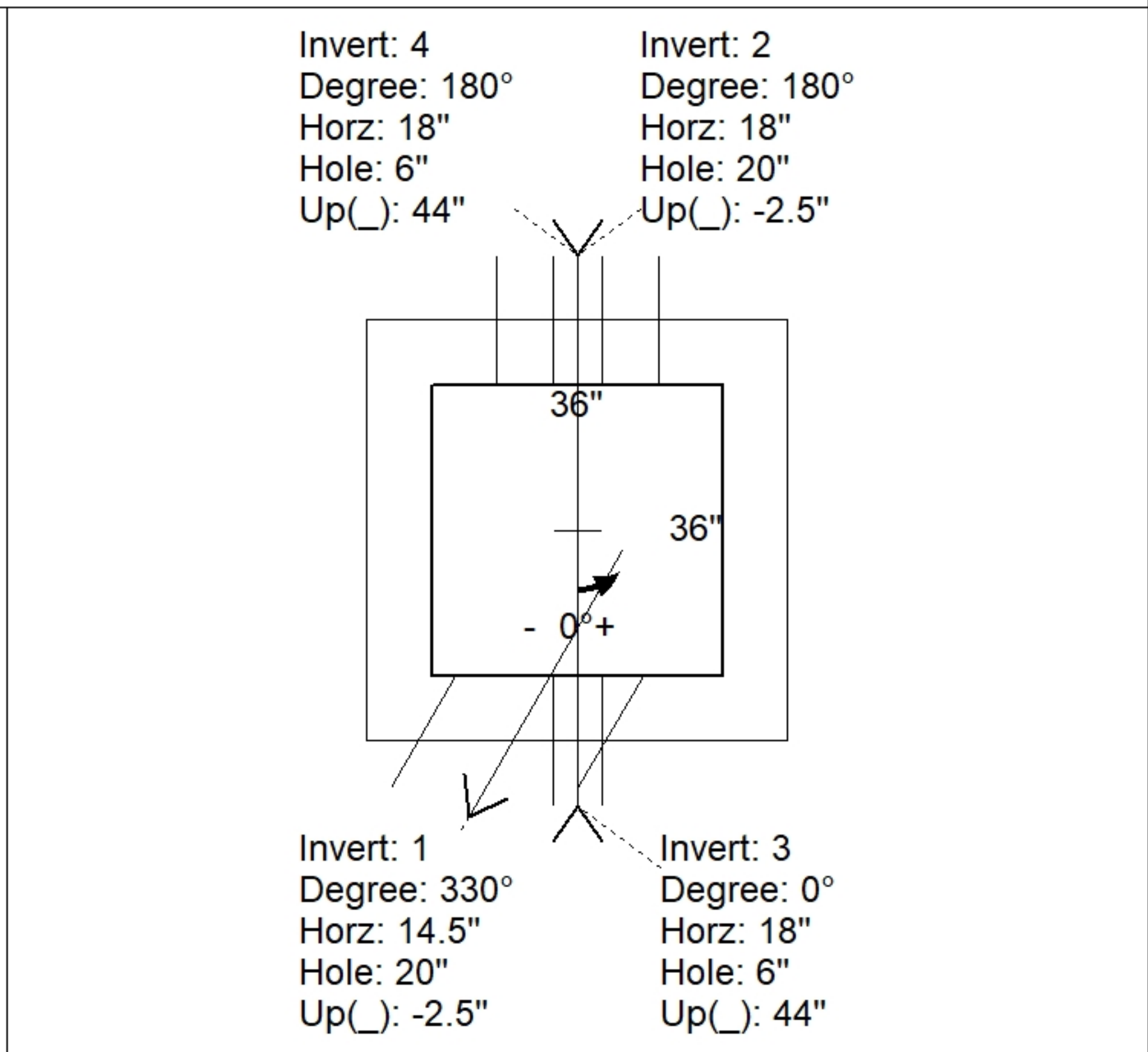
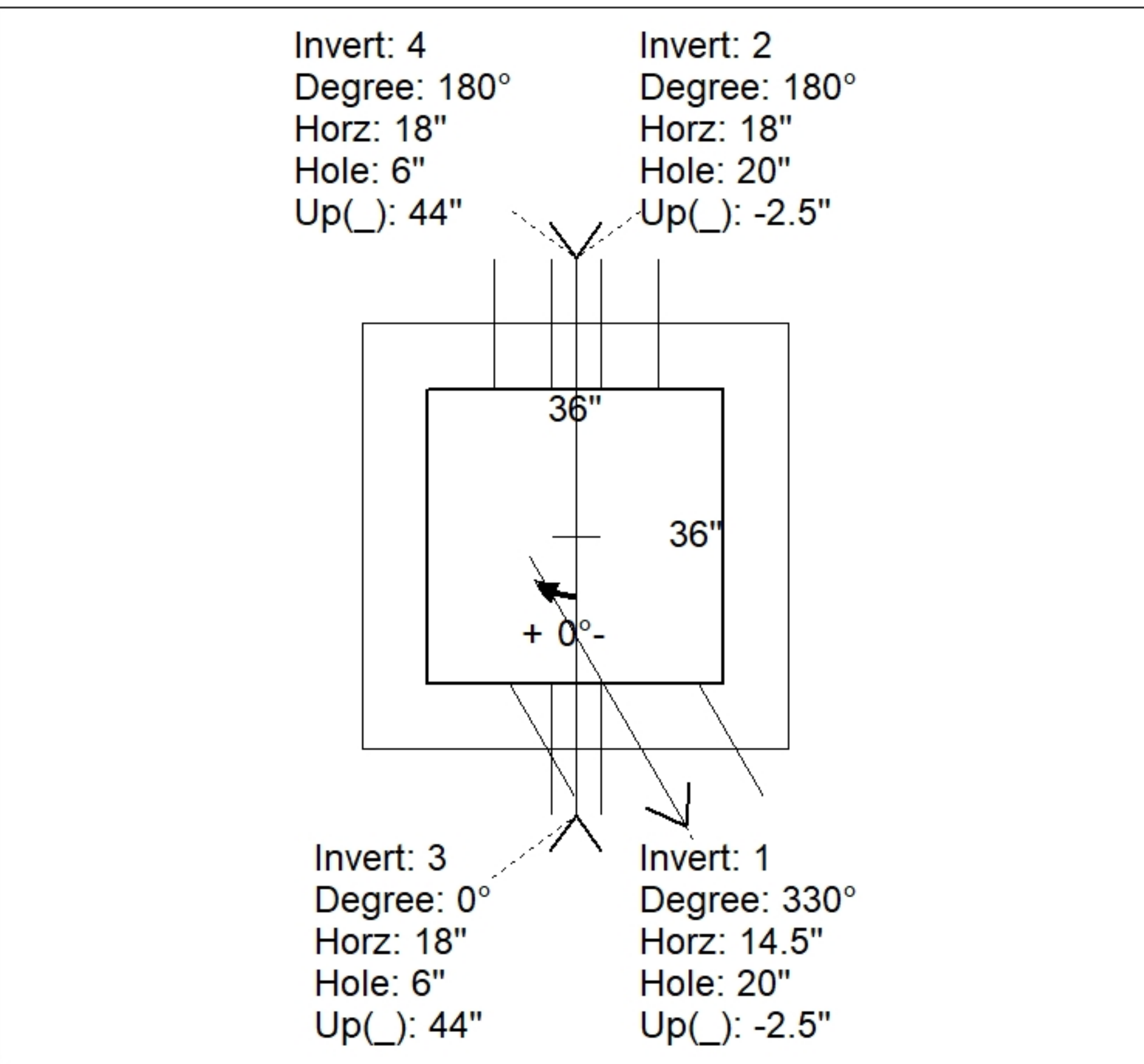
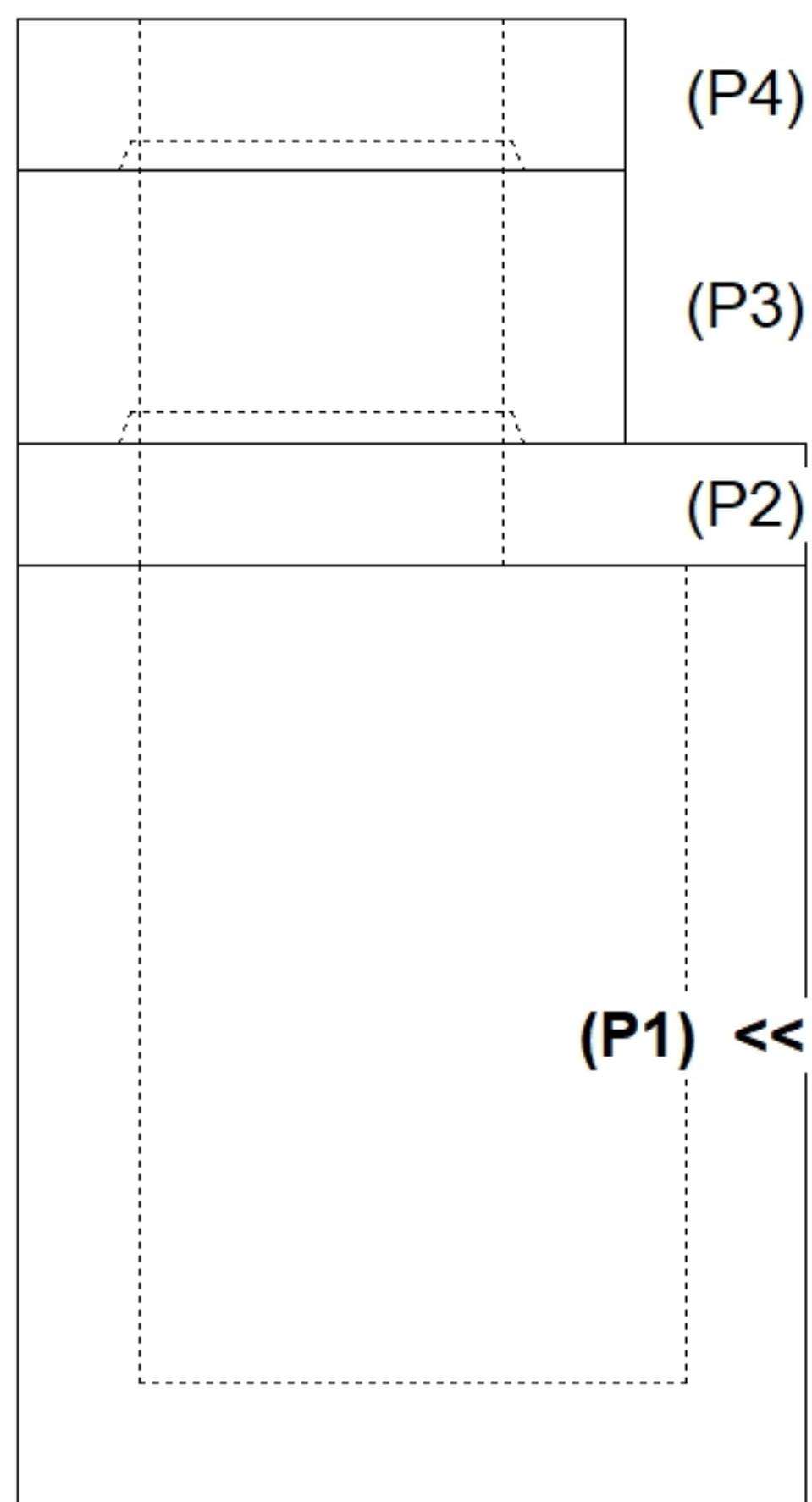
Structure Notes:
 -KYTC STATE PROJECT 241306
 -MANUFACTURED PER KYTC SPECIFICATIONS.
 -REINFORCING: #5 BAR @ 12" C/C E.W.
 -KYTC CERTIFICATIONS REQUIRED.

Rim: 739.63' Rim to Invert: 7.98' Slack: 0.48' Sump: 0' Step Position:

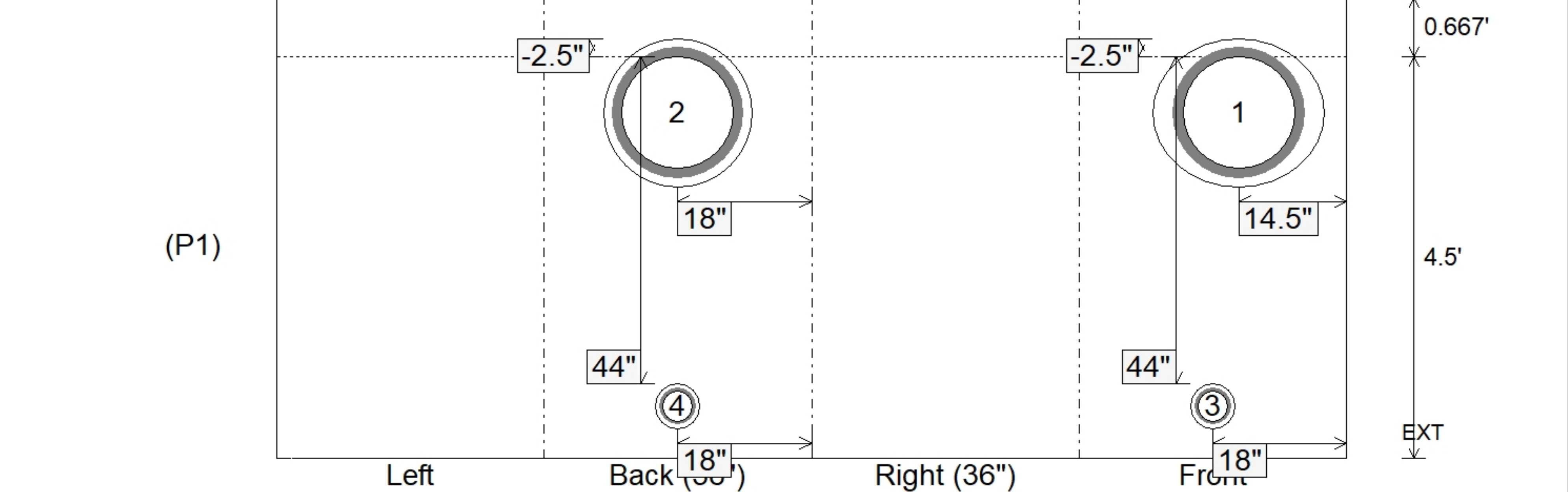
Position	Elev	Angle	Ext. (cw)	Pipe	Pipe OD	Connector	Hole	Horz Size	Up ()	Offset
Invert 1	731.65'	330°	18"	15" HDPE	17.6"	Hole 20	20"	23.094"	-2.5"	6"
Invert 2	731.65'	180°	26"	15" HDPE	17.6"	Hole 20	20"	20"	-2.5"	0"
Invert 3	735.4'	0°	26"	4" HDPE	4.8"	Hole 6	6"	6"	44"	0"
Invert 4	735.4'	180°	26"	4" HDPE	4.8"	Hole 6	6"	6"	44"	0"
Invert 5										
Invert 6										
Invert 7										
Invert 8										

RIGHT-SIDE UP VIEW (int. dimensions)

UPSIDE-DOWN VIEW (int. dimensions)



INSIDE WALL DIMENSIONS



Coating (Int): Coating (Ext):	Seam Up: Flat Seam Dn: n/a	Wall Thickness: 8" Floor Height: 0.667'	Height (Int): 4.5' Height (Ext): 5.167'	Weight (Net): 7703 lb Volume (Net): 1.97cu.yd
----------------------------------	-------------------------------	--	--	--