

Job Name: 24-1632B KYTC Breathitt Co. Call 100-241306

Job Location: Breathitt Co., Ky.

Contractor: Triton Construction, Inc.

PC: C. Goff

TECH: N. Richards

Plant: Beaver Dam



Structure ID: 52+50 LT CBI-A, 4-2, JETT DR.

Spec: KYTC

Type: CBI TYPE A (10')

Size: 24" x 36"

Rim: 738.41'

Invert: 730.5'

Rim to Invert: 7.91'

Sump: 0'

Floor (Top): 730.5'

Floor Height: 0.667'

Floor (Bot): 729.833'

Overall Height: 8.167'

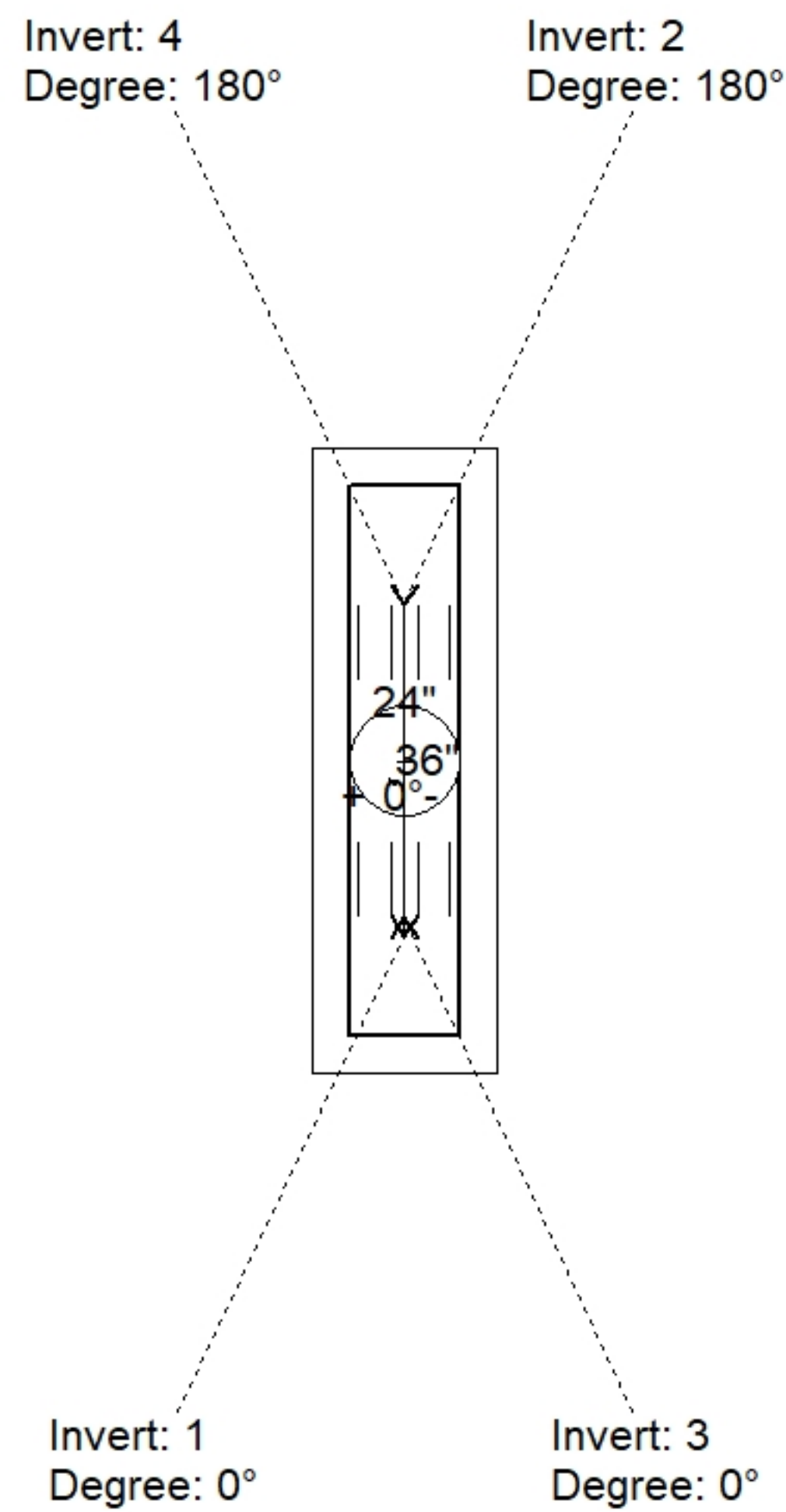
Slack: 0.41'

Structure Notes:

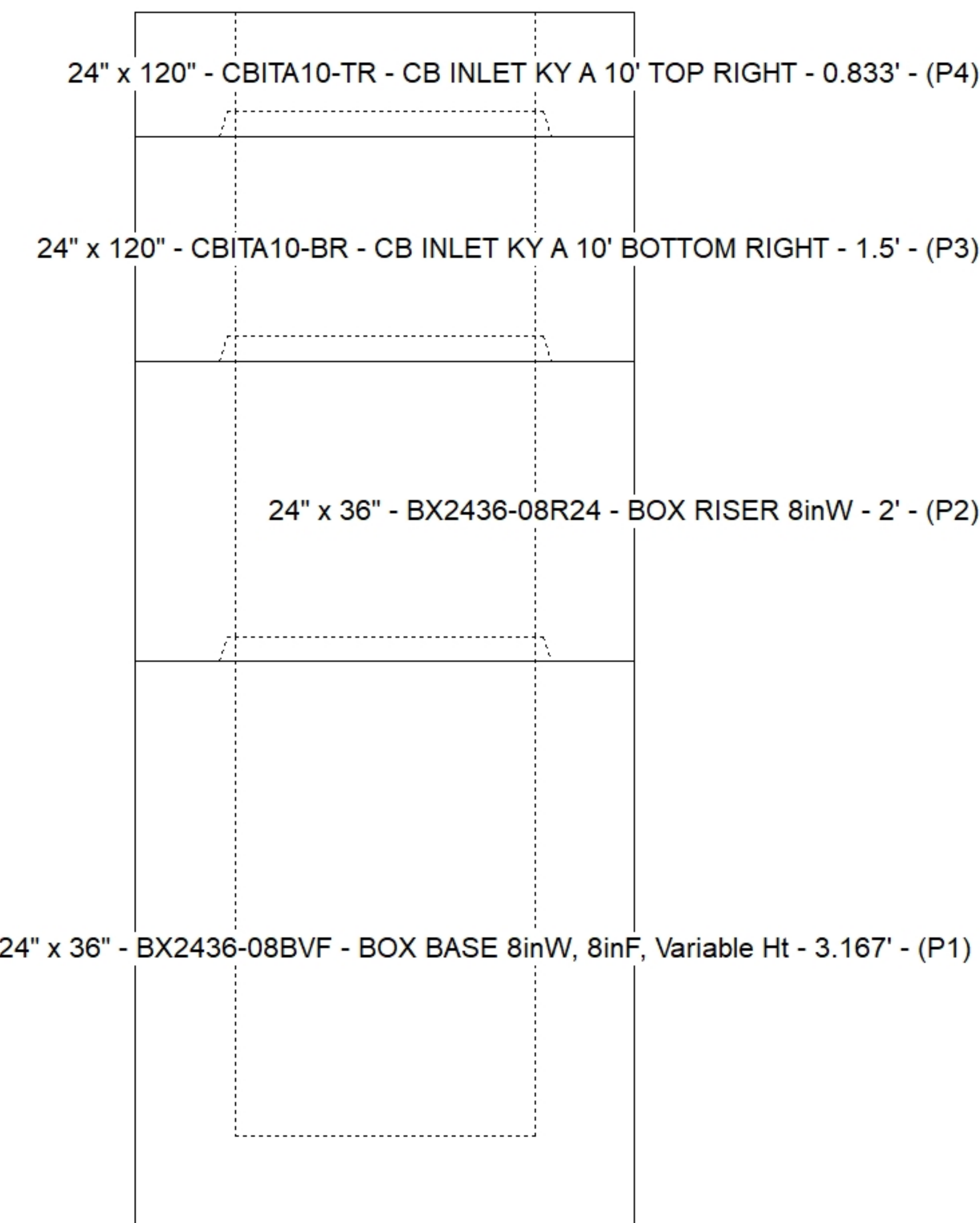
- KYTC STATE PROJECT 241306
- MANUFACTURED PER KYTC SPECIFICATIONS.
- REINFORCING: #5 BAR @ 12" C/C E.W.
- KYTC CERTIFICATIONS REQUIRED.

STRUCTURE SUMMARY:

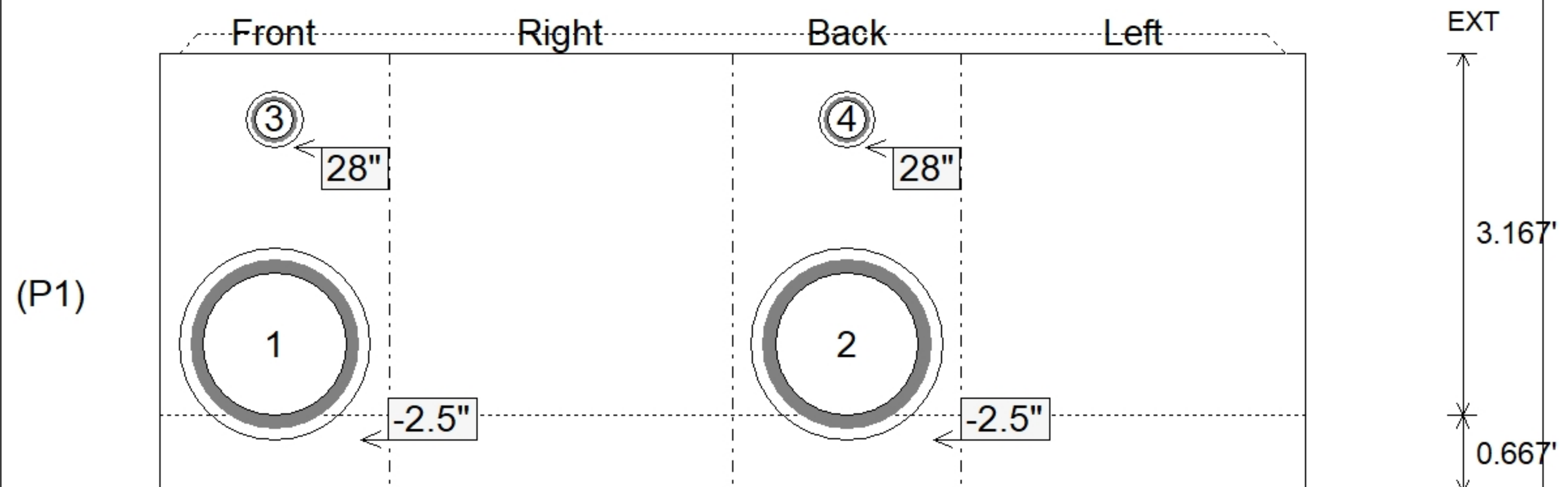
P4) 24" x 120" - CBITA10-TR - CB INLET KY A 10' TOP RIGHT - 0.833'	3398 lb
P3) 24" x 120" - CBITA10-BR - CB INLET KY A 10' BOTTOM RIGHT - 1.5'	5270 lb
P2) 24" x 36" - BX2436-08R24 - BOX RISER 8inW - 2'	2449 lb
P1) 24" x 36" - BX2436-08BVF - BOX BASE 8inW, 8inF, Variable Ht - 3.167'	4814 lb
2) 24" x 36" - PSCONCS102-1 - Conseal CS-102 1.00" - 0'	0 lb
2) Hole - 0'	0 lb
2) Hole - 0'	0 lb
Structure Total:	15931 lb



Position	Elev	Angle	Pipe	Pipe OD	Hole	Connector	Up (⌋)	Ref
Rim	738.41'							
Reducer								
Invert 1	730.5'	0°	15" HDPE	17.6"	20"	Hole 20	-2.5"	P1
Invert 2	730.5'	180°	15" HDPE	17.6"	20"	Hole 20	-2.5"	P1
Invert 3	732.92'	0°	4" HDPE	4.8"	6"	Hole 6	28"	P1
Invert 4	732.92'	180°	4" HDPE	4.8"	6"	Hole 6	28"	P1
Invert 5								
Invert 6								
Invert 7								
Invert 8								



Default - Interior Dimensions



Submittal Drawing
2/12/2026 6:17:51 AM

SUBMITTAL
APPROVED BY: