

Structure ID: 52+50 LT CBI-A, 4-2, JETT DR.

P2 BX2436-08R24 BOX RISER 8inW

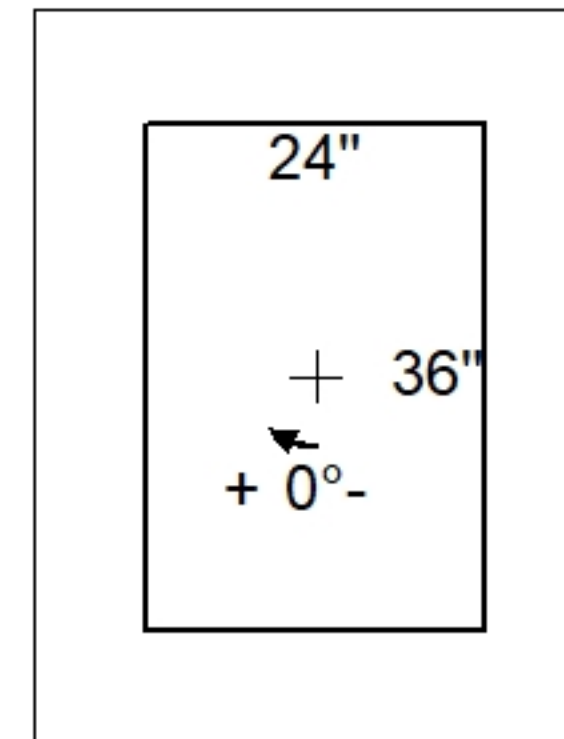
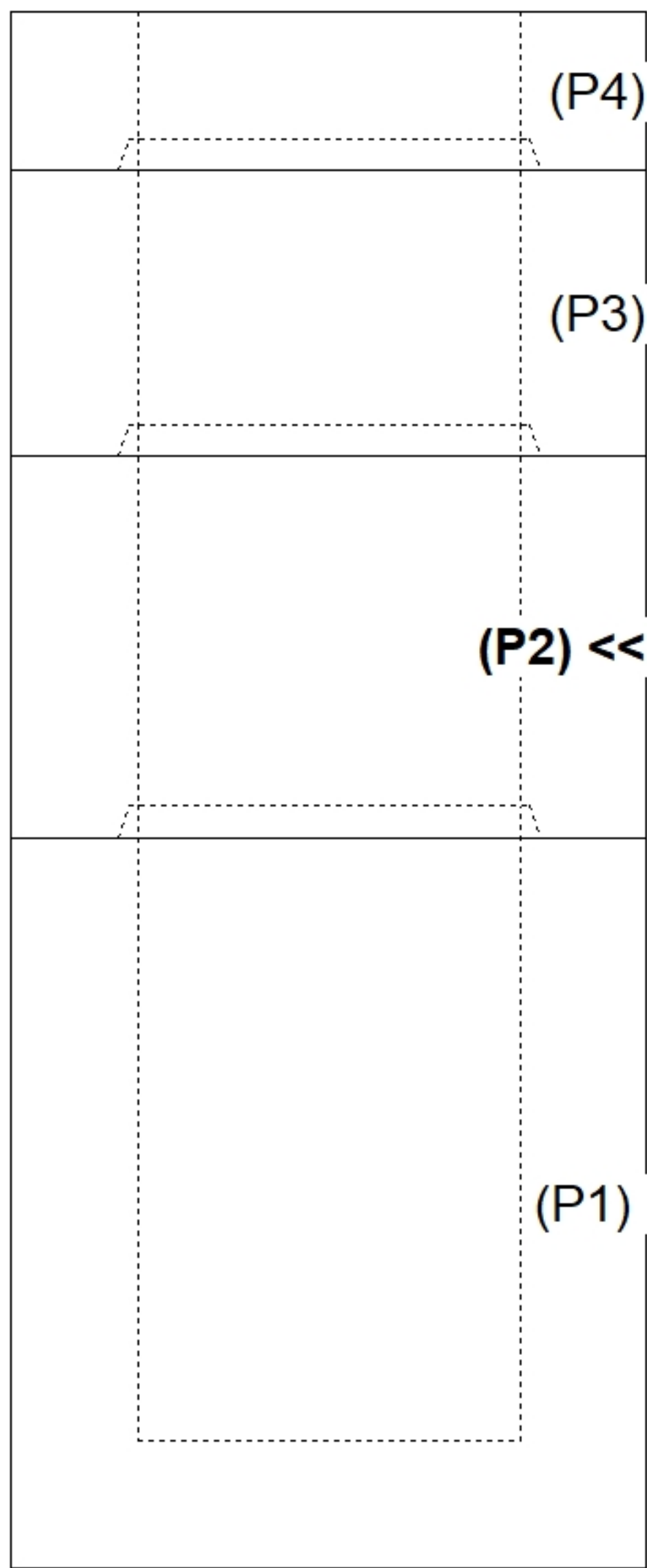
P4) 24" x 120" - CBITA10-TR - CB INLET KY A 10' TOP RIGHT - 0.833'	3398 lb
P3) 24" x 120" - CBITA10-BR - CB INLET KY A 10' BOTTOM RIGHT - 1.5'	5270 lb
P2) 24" x 36" - BX2436-08R24 - BOX RISER 8inW - 2'	2449 lb
P1) 24" x 36" - BX2436-08BVF - BOX BASE 8inW, 8inF, Variable Ht - 3.167'	4814 lb
2) 24" x 36" - PSCONCS102-1 - Conseal CS-102 1.00" - 0'	0 lb
2) Hole - 0'	0 lb
2) Hole - 0'	0 lb
Structure Total:	15931 lb

Structure Notes:
 -KYTC STATE PROJECT 241306
 -MANUFACTURED PER KYTC SPECIFICATIONS.
 -REINFORCING: #5 BAR @ 12" C/C E.W.
 -KYTC CERTIFICATIONS REQUIRED.

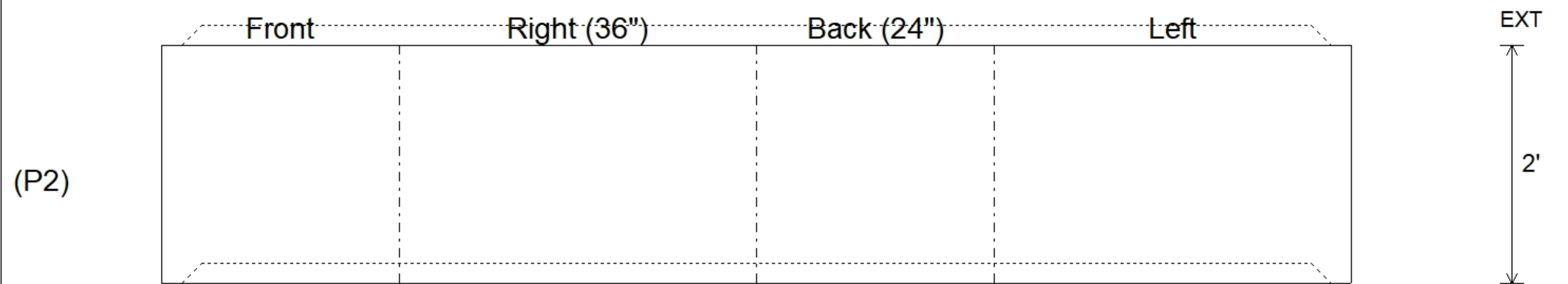
Rim: 738.41' Rim to Invert: 7.91' Slack: 0.41' Sump: 0' Step Position:

Position	Elev	Angle	Ext. (cw)	Pipe	Pipe OD	Connector	Hole	Horz Size	Up (L)	Offset
Invert 1										
Invert 2										
Invert 3										
Invert 4										
Invert 5										
Invert 6										
Invert 7										
Invert 8										

RIGHT-SIDE UP VIEW (int. dimensions)



INSIDE WALL DIMENSIONS



Coating (Int):	Seam Up: Tongue	Wall Thickness: 8"	Height (Int): 2'	Weight (Net): 2449 lb
Coating (Ext):	Seam Dn: Groove	Floor Height: 0'	Height (Ext): 2'	Volume (Net): 0.63cu.yd