

Job Name: 24-1632B KYTC Breathitt Co. Call 100-241306
 Job Location: Breathitt Co., Ky.
 Contractor: Triton Construction, Inc.

Plant: Beaver Dam
 2/12/2026 6:18:50 AM

Tech: N. Richards
 PC: C. Goff



Structure ID: 52+50 LT CBI-A, 4-2, JETT DR.

P1 BX2436-08BVF

BOX BASE 8inW, 8inF, Variable Ht

P4) 24" x 120" - CBITA10-TR - CB INLET KY A 10' TOP RIGHT - 0.833'	3398 lb
P3) 24" x 120" - CBITA10-BR - CB INLET KY A 10' BOTTOM RIGHT - 1.5'	5270 lb
P2) 24" x 36" - BX2436-08R24 - BOX RISER 8inW - 2'	2449 lb
P1) 24" x 36" - BX2436-08BVF - BOX BASE 8inW, 8inF, Variable Ht - 3.167'	4814 lb
2) 24" x 36" - PSCONCS102-1 - Conseal CS-102 1.00" - 0'	0 lb
2) Hole - 0'	0 lb
2) Hole - 0'	0 lb
Structure Total:	15931 lb

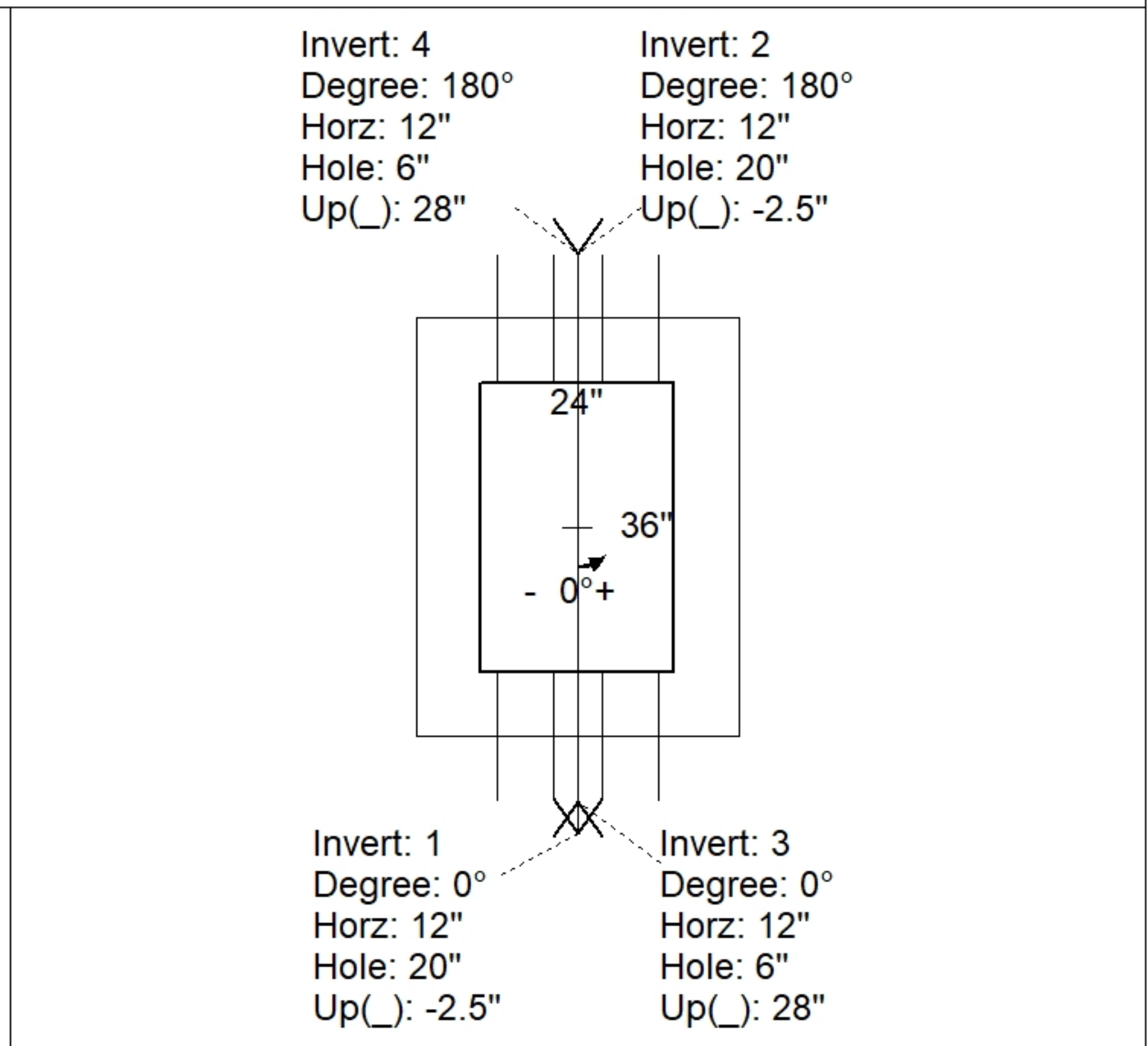
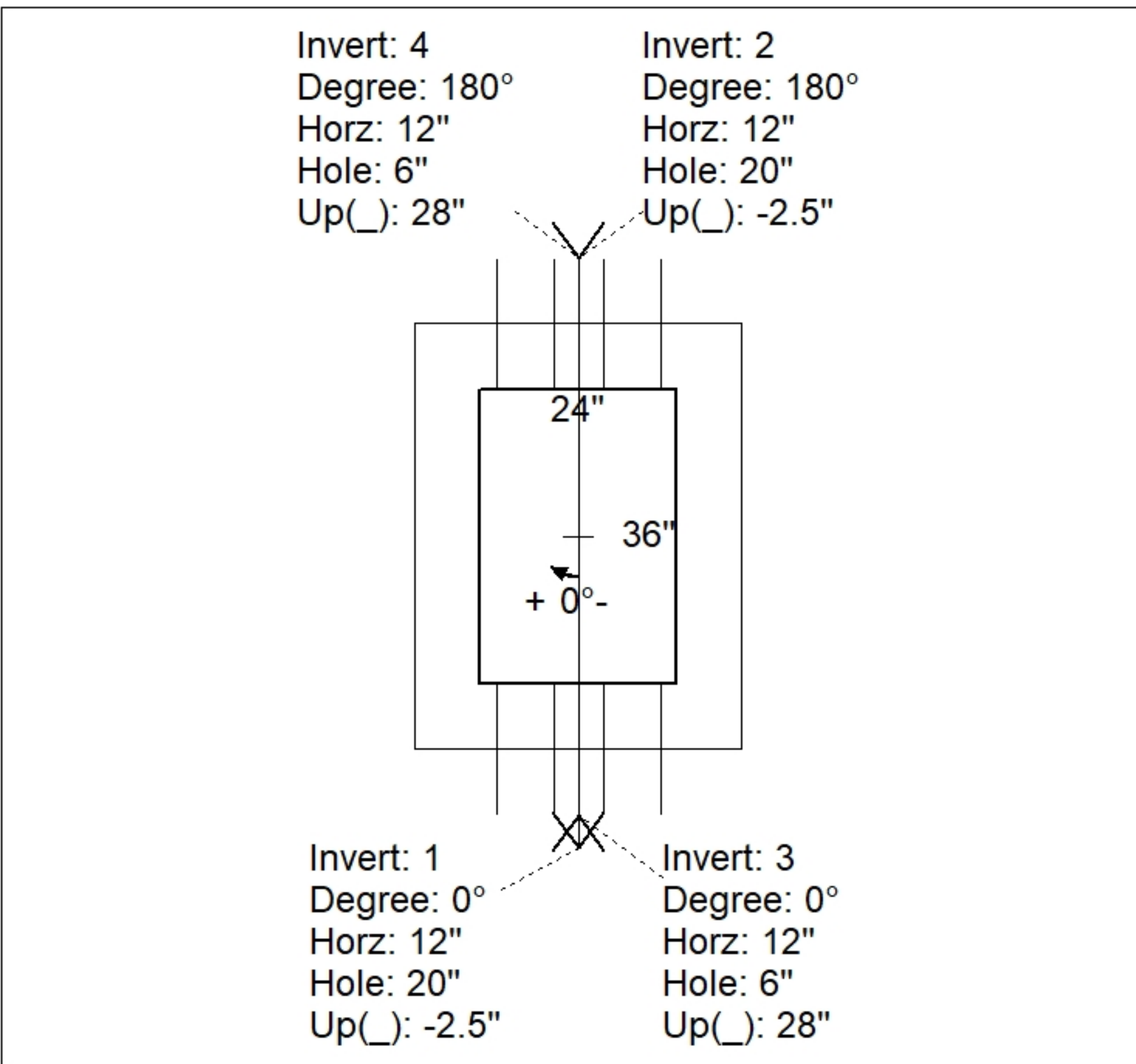
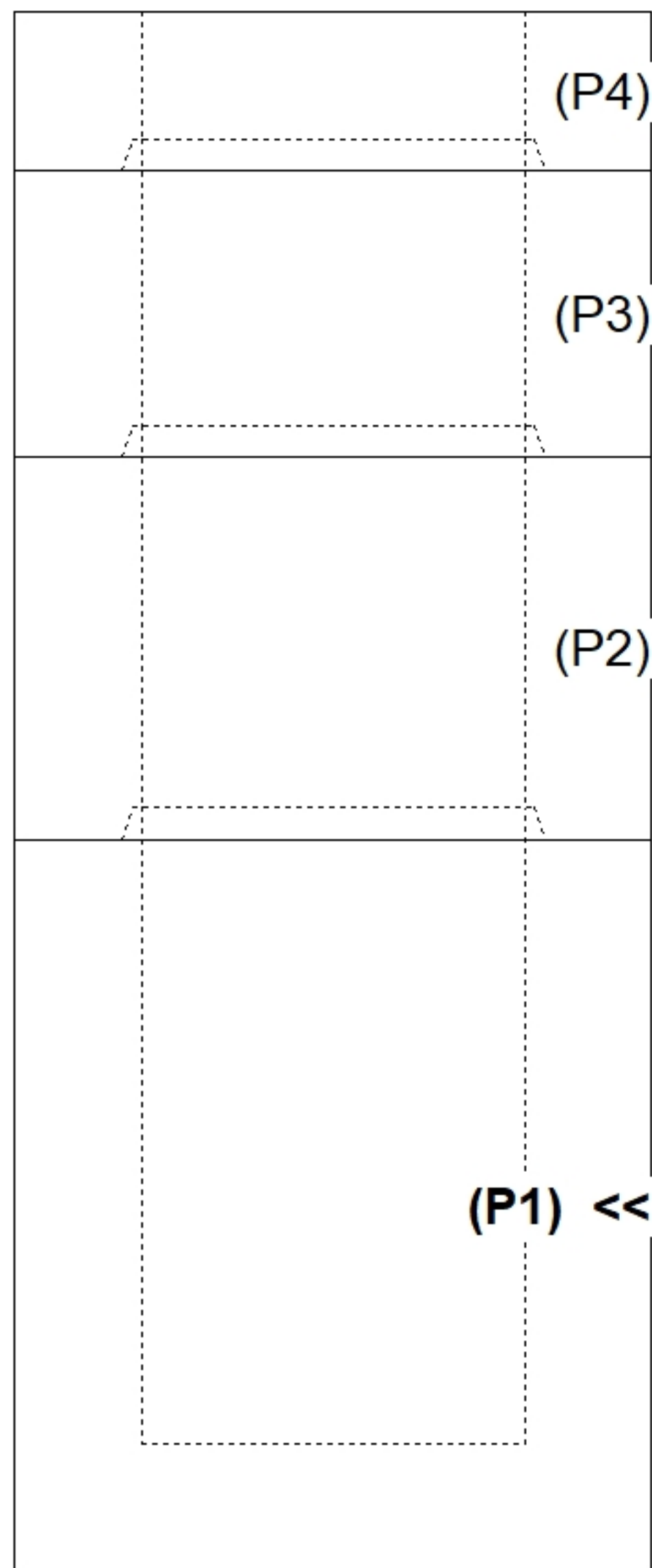
Structure Notes:
 -KYTC STATE PROJECT 241306
 -MANUFACTURED PER KYTC SPECIFICATIONS.
 -REINFORCING: #5 BAR @ 12" C/C E.W.
 -KYTC CERTIFICATIONS REQUIRED.

Rim: 738.41' Rim to Invert: 7.91' Slack: 0.41' Sump: 0' Step Position:

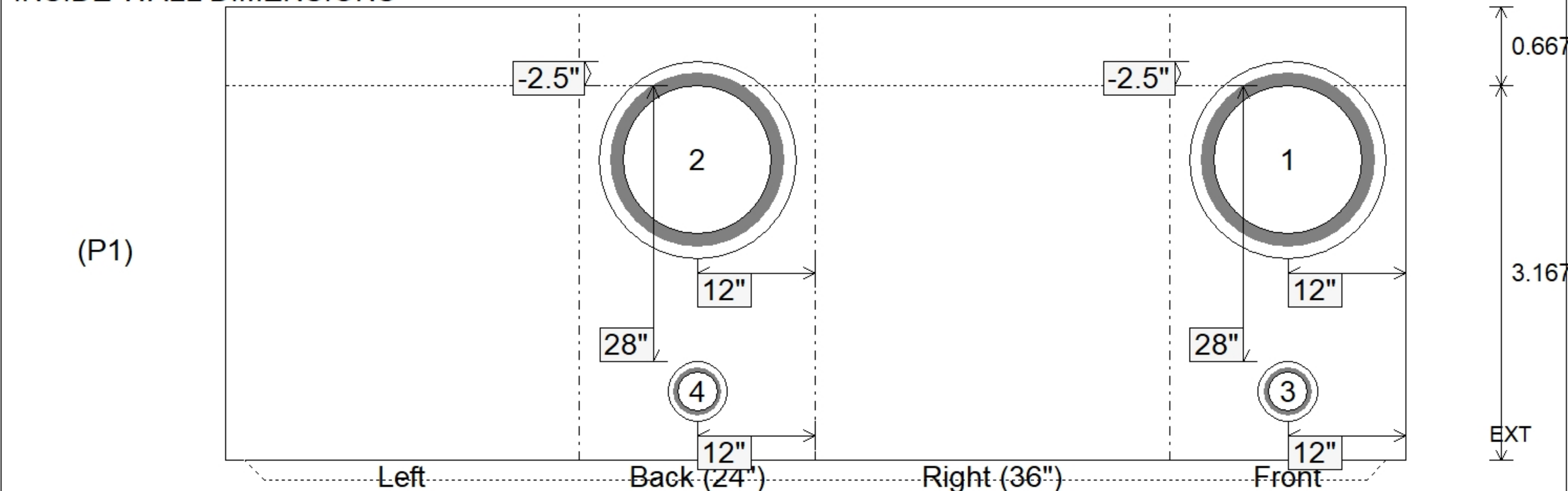
Position	Elev	Angle	Ext. (cw)	Pipe	Pipe OD	Connector	Hole	Horz Size	Up ()	Offset
Invert 1	730.5'	0°	20"	15" HDPE	17.6"	Hole 20	20"	20"	-2.5"	0"
Invert 2	730.5'	180°	20"	15" HDPE	17.6"	Hole 20	20"	20"	-2.5"	0"
Invert 3	732.92'	0°	20"	4" HDPE	4.8"	Hole 6	6"	6"	28"	0"
Invert 4	732.92'	180°	20"	4" HDPE	4.8"	Hole 6	6"	6"	28"	0"
Invert 5										
Invert 6										
Invert 7										
Invert 8										

RIGHT-SIDE UP VIEW (int. dimensions)

UPSIDE-DOWN VIEW (int. dimensions)



INSIDE WALL DIMENSIONS



Coating (Int): Coating (Ext):	Seam Up: Tongue Seam Dn: n/a	Wall Thickness: 8" Floor Height: 0.667'	Height (Int): 3.167' Height (Ext): 3.833'	Weight (Net): 4814 lb Volume (Net): 1.23cu.yd
----------------------------------	---------------------------------	--	--	--