

Job Name: 24-1632 - KYTC Letting Call 100 (241306) Sanitary
Job Location: Jackson, KY 41339
Contractor: Triton Construction, Inc.

PC: C. Goff
 TECH: K. Cardwell
 Plant: Beaver Dam, KY



Structure ID: **MH-N411 Base Remake (1-8-26)**

Spec: Sanitary
 Type: SAN.MH Transition w/XYPEX
 Size: 60"

Rim: 730'
 Invert: 712'
 Rim to Invert: 18'

Sump: 2"
 Floor (Top): 711.833'
 Floor Height: 8"

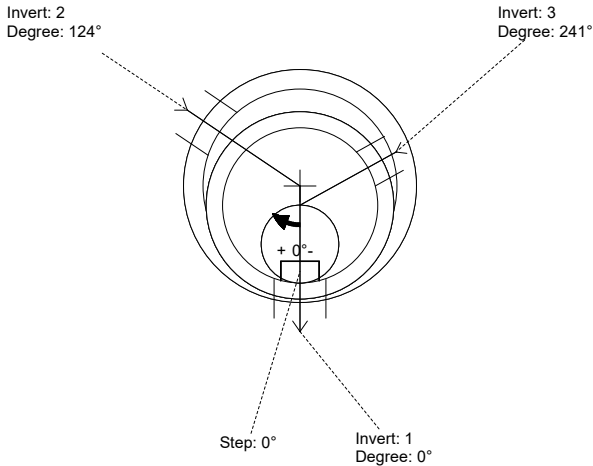
Floor (Bot): 711.167'
 Overall Height: 18.833'
 Slack: 0"

Structure Notes:

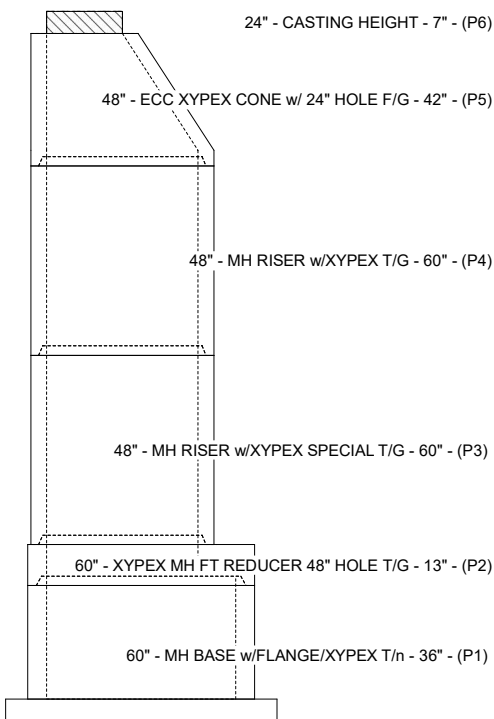
- STATION: 44+77.58
- PER KYTC & ASTM C-478 SPECIFICATIONS
 - CONCRETE: 5,000 PSI AT 28 DAYS
 - REINFORCEMENT: PER ASTM A615
 - INVERT CHANNEL REQUIRED
 - XYPEX ADMIXTURE REQUIRED
 - HOE MC-350 FRAME & COVER "SANITARY" SUPPLIED BY ICAST
 - INVERT 3 TO HAVE INTERNAL DROP - HOLE & BOOT SUPPLIED BY ICAST (CONTRACTOR RESPONSIBLE FOR INSTALLING DROP PIPE & COMPONENTS)
 - TIDEFLEX DUCKBILL CHECK VALVE TO BE INSTALLED BY ICAST INSIDE OF MANHOLE OVER OPENING FOR INVERT 2
 - ONLY REMAKING BASE (P1) - ALL OTHER COMPONENTS ALREADY ON SITE

STRUCTURE SUMMARY:

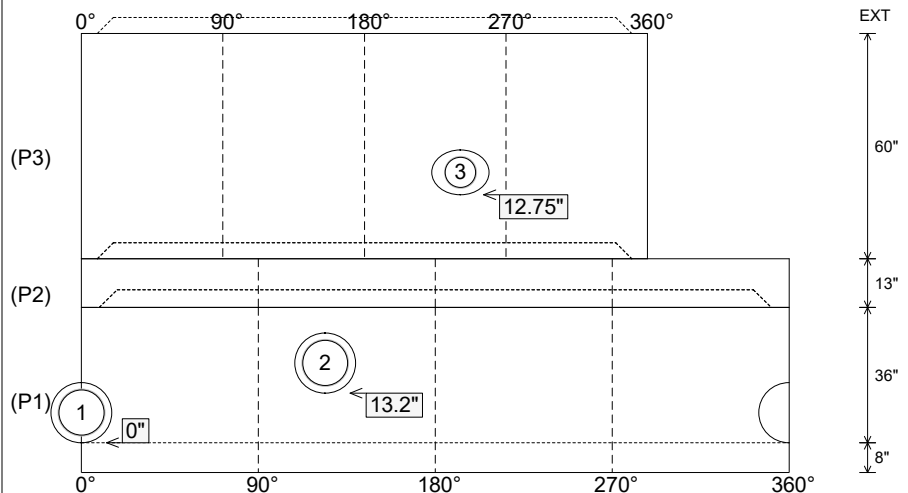
P6) 24" - CASTING HEIGHT - 7"	0 lb
P5) 48" - ECC XYPEX CONE w/ 24" HOLE F/G - 42"	3116 lb
P4) 48" - MH RISER w/XYPEX T/G - 60"	4192 lb
P3) 48" - MH RISER w/XYPEX SPECIAL T/G - 60"	4144 lb
P2) 60" - XYPEX MH FT REDUCER 48" HOLE T/G - 13"	1888 lb
P1) 60" - MH BASE w/FLANGE/XYPEX T/n - 36"	7453 lb
1) JOINT WRAP PRIMER - CONSEAL CS-75 (1 gal.)	0 lb
1) JOINT WRAP - 0.065"x6"x50' CONSEAL CS212	0 lb
1) SECONDARY POUR - EXTENDED FLANGE	0 lb
1) 60" - MH INVERT CHANNEL w/XYPEX - FULL HEIGHT	2932 lb
1) CASTING - HOE MC-350 F/C Sanitary	305 lb
1) 60" - Conseal CS-102 1.00" (Double)	0 lb
3) 48" - Conseal CS-102 1.00" (Double)	0 lb
2) PSX - 16M DD	16 lb
1) PSX - 12-08 NYLO	8 lb
17) MH Step ML-10-TDS-NCR - 10"	0 lb
Structure Total:	24084 lb



Position	Elev	Angle	Pipe	Pipe OD	Hole	Connector	Up (L)	Ref
Rim	730'							
Reducer	714.833'							
Invert 1	712'	0°	12" PVC SDR35	12.5"	16"	PSX 16M DD	0"	P1
Invert 2	713.1'	124°	12" PVC SDR35	12.5"	16"	PSX 16M DD	13.2"	P1
Invert 3	717.5'	241°	8" PVC SDR35	8.5"	12"	PSX 12-08 NYLO	12.75"	P3
Invert 4								
Invert 5								
Invert 6								
Invert 7								
Invert 8								



Cast (Int. Dim.) - Interior Dimensions



Submittal Drawing
 1/9/2026 7:02:58 AM

SUBMITTAL
 APPROVED BY: