

Job Name: 24-1632 - KYTC Letting Call 100 (241306) Sanitary
Job Location: Jackson, KY 41339
Contractor: Triton Construction, Inc.

PC: C. Goff
 TECH: K. Cardwell
 Plant: Beaver Dam, KY



Structure ID: **MH-K111**
 Spec: Sanitary
 Type: SAN.MH w/Xypex
 Size: 48"

Rim: 745.7'
 Invert: 737.2'
 Rim to Invert: 8.5'

Sump: 2"
 Floor (Top): 737.033'
 Floor Height: 8"

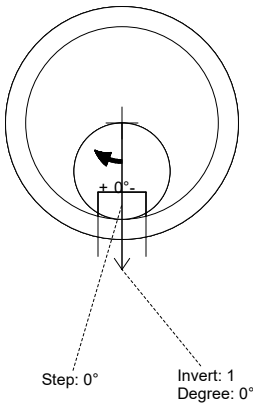
Floor (Bot): 736.367'
 Overall Height: 9.25'
 Slack: 1"

Structure Notes:

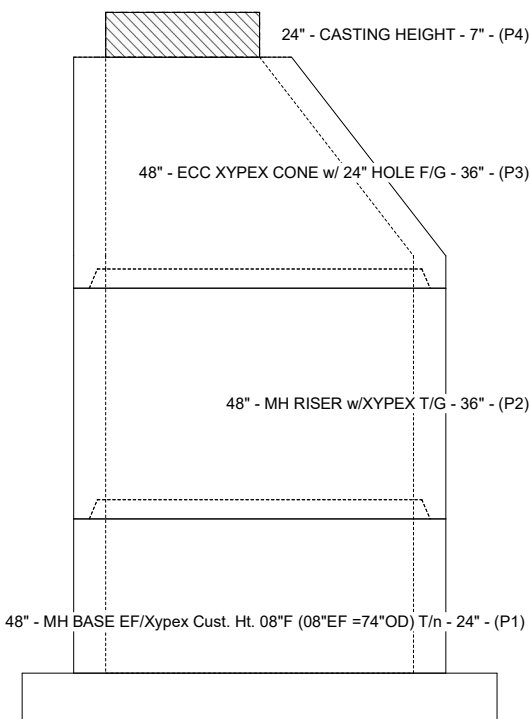
- STATION: 552+30.07
 1. PER KYTC & ASTM C-478 SPECIFICATIONS
 2. CONCRETE: 5,000 PSI AT 28 DAYS
 3. REINFORCEMENT: PER ASTM A615
 4. INVERT CHANNEL REQUIRED
 5. XYPEX ADMIXTURE REQUIRED
 6. STEPS AT 0 DEGREES
 7. HOE MC-350 FRAME & COVER "SANITARY" SUPPLIED BY ICAST

STRUCTURE SUMMARY:

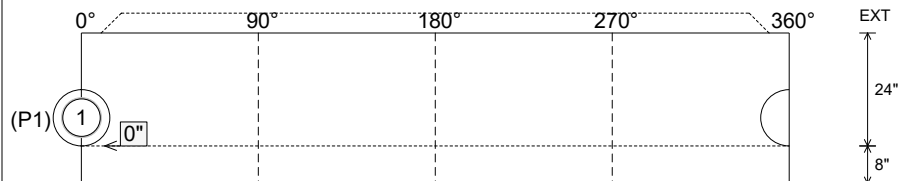
- P4) 24" - CASTING HEIGHT - 7" 0 lb
 - P3) 48" - ECC XYPEX CONE w/ 24" HOLE F/G - 36" 2251 lb
 - P2) 48" - MH RISER w/XYPEX T/G - 36" 2515 lb
 - P1) 48" - MH BASE EF/Xypex Cust. Ht. 08"F (08"EF =74"OD) T/n - 24" 4516 lb
 - 1) JOINT WRAP PRIMER - CONSEAL CS-75 (1 gal.) 0 lb
 - 1) JOINT WRAP - 0.065"x6"x50' CONSEAL CS212 0 lb
 - 1) 48" - MH INVERT CHANNEL w/XYPEX - FULL HEIGHT 1440 lb
 - 1) CASTING - HOE MC-350 F/C Sanitary 305 lb
 - 2) 48" - Conseal CS-102 1.00" (Double) 0 lb
 - 1) PSX - 12-08 NYLO 8 lb
 - 8) MH Step ML-10-TDS-NCR - 10" 0 lb
- Structure Total: 11035 lb



Position	Elev	Angle	Pipe	Pipe OD	Hole	Connector	Up (L)	Ref
Rim	745.7'							
Reducer								
Invert 1	737.2'	0°	8" PVC SDR35	8.5"	12"	PSX 12-08 NYLO	0"	P1
Invert 2								
Invert 3								
Invert 4								
Invert 5								
Invert 6								
Invert 7								
Invert 8								



Cast (Int. Dim.) - Interior Dimensions



Submittal Drawing
 1/23/2026 8:56:20 AM

SUBMITTAL
 APPROVED BY: