

Job Name: 24-1632 - KYTC Letting Call 100 (241306) Sanitary
Job Location: Jackson, KY 41339
Contractor: Triton Construction, Inc.

PC: C. Goff
 TECH: K. Cardwell
 Plant: Beaver Dam, KY



Structure ID: **MH-K110**

Spec: Sanitary
 Type: SAN.MH w/Xypex
 Size: 48"

Rim: 745.3'
 Invert: 735.49'
 Rim to Invert: 9.81'

Sump: 2"
 Floor (Top): 735.323'
 Floor Height: 8"

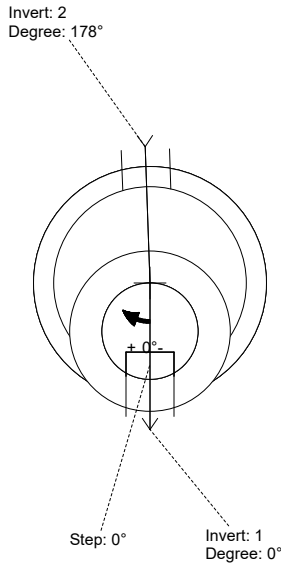
Floor (Bot): 734.657'
 Overall Height: 10.583'
 Slack: 0.72"

Structure Notes:

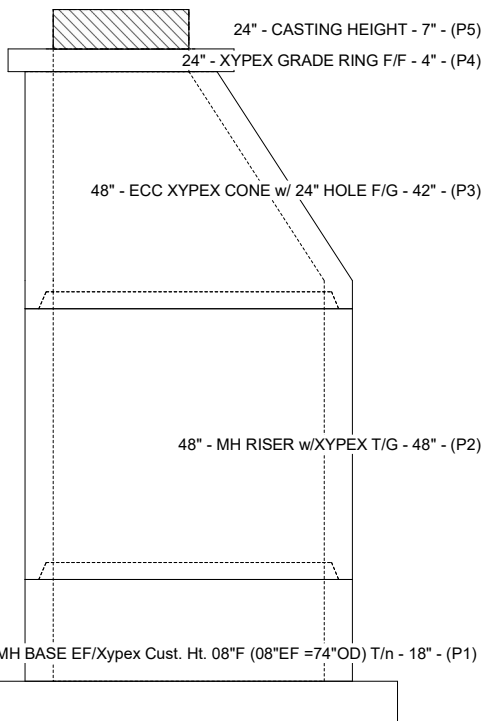
- STATION: 555+46.38
 1. PER KYTC & ASTM C-478 SPECIFICATIONS
 2. CONCRETE: 5,000 PSI AT 28 DAYS
 3. REINFORCEMENT: PER ASTM A615
 4. INVERT CHANNEL REQUIRED
 5. XYPEX ADMIXTURE REQUIRED
 6. STEPS AT 0 DEGREES
 7. HOE MC-350 FRAME & COVER "SANITARY" SUPPLIED BY ICAST

STRUCTURE SUMMARY:

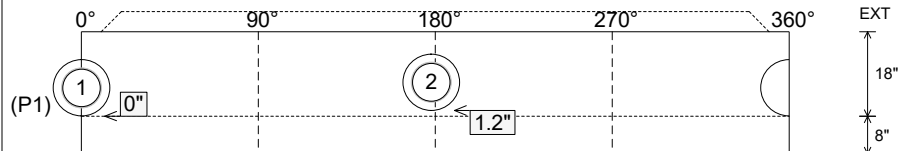
- P5) 24" - CASTING HEIGHT - 7" 0 lb
 - P4) 24" - XYPEX GRADE RING F/F - 4" 270 lb
 - P3) 48" - ECC XYPEX CONE w/ 24" HOLE F/G - 42" 3116 lb
 - P2) 48" - MH RISER w/XYPEX T/G - 48" 3353 lb
 - P1) 48" - MH BASE EF/Xypex Cust. Ht. 08"F (08"EF =74"OD) T/n - 18" 4049 lb
 - 1) JOINT WRAP PRIMER - CONSEAL CS-75 (1 gal.) 0 lb
 - 1) JOINT WRAP - 0.065"x6"x50' CONSEAL CS212 0 lb
 - 1) 48" - MH INVERT CHANNEL w/XYPEX - FULL HEIGHT 1440 lb
 - 1) CASTING - HOE MC-350 F/C Sanitary 305 lb
 - 2) 48" - Conseal CS-102 1.00" (Double) 0 lb
 - 2) PSX - 12-08 NYLO 16 lb
 - 9) MH Step ML-10-TDS-NCR - 10" 0 lb
- Structure Total: 12549 lb



Position	Elev	Angle	Pipe	Pipe OD	Hole	Connector	Up (L)	Ref
Rim	745.3'							
Reducer								
Invert 1	735.49'	0°	8" PVC SDR35	8.5"	12"	PSX 12-08 NYLO	0"	P1
Invert 2	735.59'	178°	8" PVC SDR35	8.5"	12"	PSX 12-08 NYLO	1.2"	P1
Invert 3								
Invert 4								
Invert 5								
Invert 6								
Invert 7								
Invert 8								



Cast (Int. Dim.) - Interior Dimensions



Submittal Drawing
 1/23/2026 8:56:20 AM

SUBMITTAL
 APPROVED BY: