

Job Name: 24-1632 - KYTC Letting Call 100 (241306) Sanitary  
 Job Location: Jackson, KY 41339  
 Contractor: Triton Construction, Inc.

Plant: Beaver Dam, KY  
 1/23/2026 7:13:20 AM

Tech: K. Cardwell  
 PC: C. Goff



**Structure ID: MH-K110**

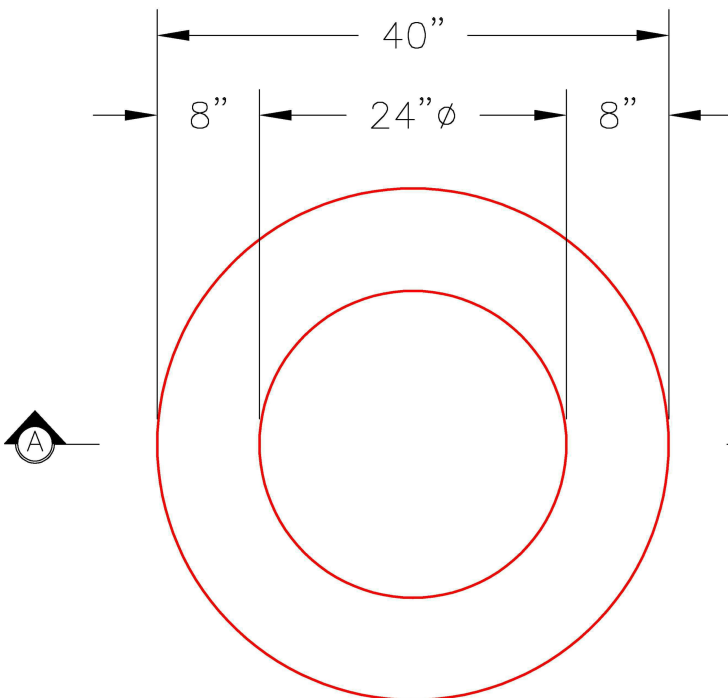
**P4 GR4X**

**XYPEX GRADE RING F/F**

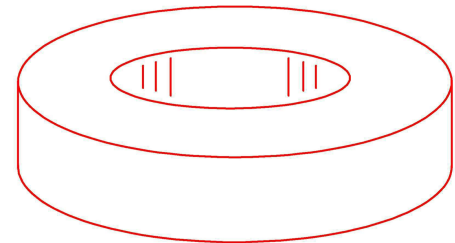
- P5) 24" - CASTING HEIGHT - 7"
- P4) 24" - XYPEX GRADE RING F/F - 4"
- P3) 48" - ECC XYPEX CONE w/ 24" HOLE F/G - 42"
- P2) 48" - MH RISER w/XYPEX T/G - 48"
- P1) 48" - MH BASE EF/Xypex Cust. Ht. 08"F (08"EF =74"OD) T/n - 18"
- 1) JOINT WRAP PRIMER - CONSEAL CS-75 (1 gal.)
- 1) JOINT WRAP - 0.065"x6"x50" CONSEAL CS212
- 1) 48" - MH INVERT CHANNEL w/XYPEX - FULL HEIGHT
- 1) ADMIXTURE XYPEX C-500 NF RED
- 1) CASTING - HOE MC-350 F/C Sanitary
- 2) 48" - Conseal CS-102 1.00" (Double)
- 2) PSX - 12-08 NYLO
- 9) MH Step ML-10-TDS-NCR - 10"

0 lb  
 270 lb  
 3116 lb  
 3353 lb  
 4049 lb  
 0 lb  
 0 lb  
 1440 lb  
 0 lb  
 305 lb  
 0 lb  
 16 lb  
 0 lb  
 -----  
 Structure Total: 12549 lb

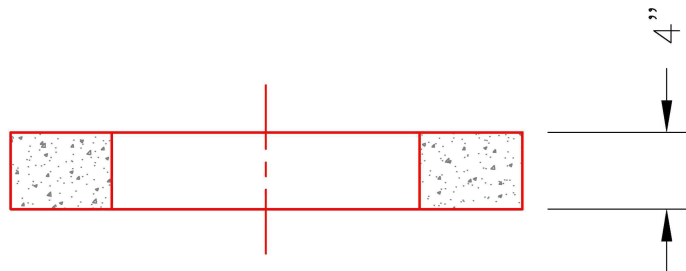
- Structure Notes:**  
 STATION: 555+46.38
1. PER KYTC & ASTM C-478 SPECIFICATIONS
  2. CONCRETE: 5,000 PSI AT 28 DAYS
  3. REINFORCEMENT: (1) #3 HOOP CENTERED (GRADE 60)
  4. XYPEX ADMIXTURE REQUIRED



**PLAN VIEW**



**ISOMETRIC VIEW**



**SECTION A-A**

Coating (Int):  
 Coating (Ext):

Seam Up: Flat  
 Seam Dn: Flat

Wall Thickness: 8"

Height (Ext): 4"

Weight (Net): 270 lb  
 Volume (Net): 0.07cu.yd