

Job Name: 24-1632 - KYTC Letting Call 100 (241306) Sanitary
 Job Location: Jackson, KY 41339
 Contractor: Triton Construction, Inc.

Plant: Beaver Dam, KY
 1/23/2026 8:01:33 AM

Tech: K. Cardwell
 PC: C. Goff



Structure ID: MH-K108

P1 MH048BAEVfx

MH BASE EF/Xypex Cust. Ht. 08"F (08"EF =74"OD)

- P4) 24" - CASTING HEIGHT - 7" 0 lb
 - P3) 48" - ECC XYPEX CONE w/ 24" HOLE F/G - 42" 3116 lb
 - P2) 48" - MH RISER w/XYPEX SPECIAL T/G - 60" 4144 lb
 - P1) 48" - MH BASE EF/Xypex Cust. Ht. 08"F (08"EF =74"OD) T/n - 18" 4049 lb
 - 1) JOINT WRAP PRIMER - CONSEAL CS-75 (1 gal.) 0 lb
 - 1) JOINT WRAP - 0.065"x6"x50' CONSEAL CS212 0 lb
 - 1) 48" - MH INVERT CHANNEL w/XYPEX - FULL HEIGHT 1440 lb
 - 1) ADMIXTURE XYPEX C-500 NF RED 0 lb
 - 1) CASTING - HOE MC-350 F/C Sanitary 305 lb
 - 2) 48" - Conseal CS-102 1.00" (Double) 0 lb
 - 3) PSX - 12-08 NYLO 24 lb
 - 10) MH Step ML-10-TDS-NCR - 10" 0 lb
- Structure Total: 13078 lb

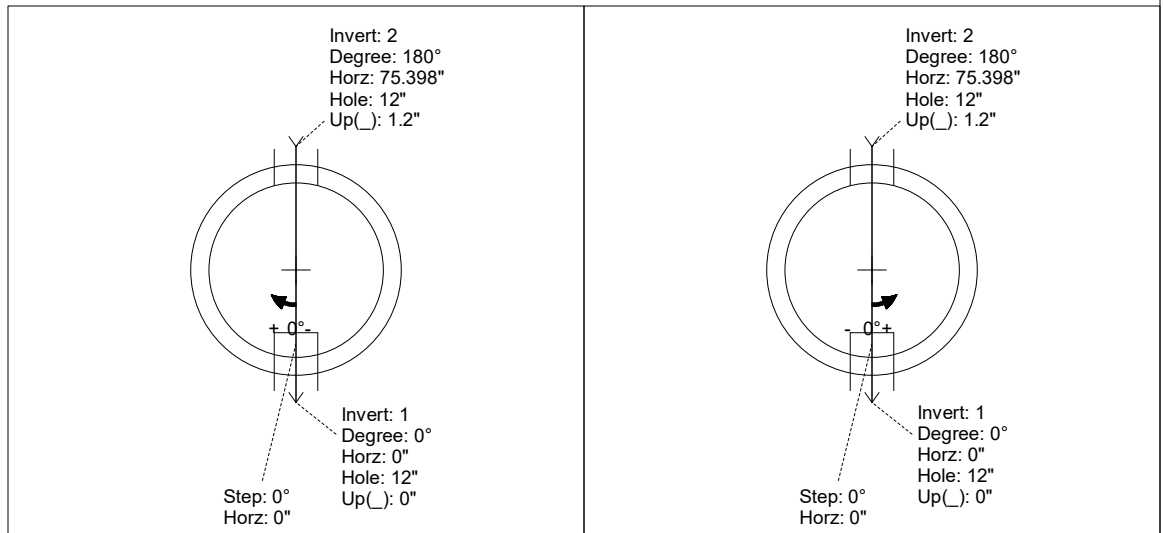
Structure Notes:
 STATION: 558+15.25
 1. PER KYTC & ASTM C-478 SPECIFICATIONS
 2. CONCRETE: 5,000 PSI AT 28 DAYS
 3. REINFORCEMENT: PER ASTM A615
 4. INVERT CHANNEL REQUIRED
 5. XYPEX ADMIXTURE REQUIRED
 6. STEPS AT 0 DEGREES
 7. HOE MC-350 FRAME & COVER "SANITARY" SUPPLIED BY ICAST

Rim: 744.25' Rim to Invert: 10.43' Slack: 0.16" Sump: 2" Step Position: 0°

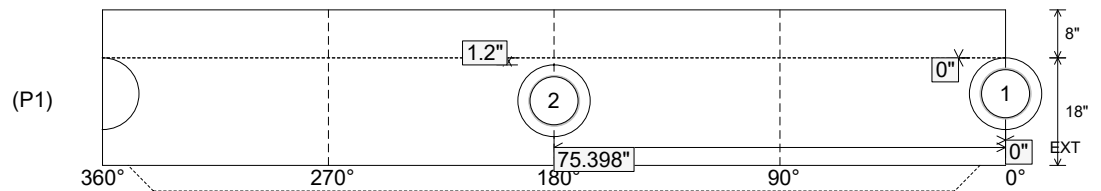
Position	Elev	Angle	Ext. (cw)	Pipe	Pipe OD	Connector	Hole	Horz Size	Up ()	Offset
Invert 1	733.82'	0°	0"	8" PVC SDR35	8.5"	PSX 12-08 NYLO	12"	12.129"	0"	0"
Invert 2	733.92'	180°	91.106"	8" PVC SDR35	8.5"	PSX 12-08 NYLO	12"	12.129"	1.2"	0"
Invert 3										
Invert 4										
Invert 5										
Invert 6										
Invert 7										
Invert 8										

RIGHT-SIDE UP VIEW (int. dimensions)

UPSIDE-DOWN VIEW (int. dimensions)



INSIDE WALL DIMENSIONS



Coating (Int):
 Coating (Ext):

Seam Up: Tongue
 Seam Dn: n/a

Wall Thickness: 5"
 Floor Height: 8"

Height (Int): 18"
 Height (Ext): 26"

Weight (Net): 4049 lb
 Volume (Net): 1.03cu.yd

Job Name: 24-1632 - KYTC Letting Call 100 (241306) Sanitary
 Job Location: Jackson, KY 41339
 Contractor: Triton Construction, Inc.

Plant: Beaver Dam, KY
 1/23/2026 8:01:33 AM

Tech: K. Cardwell
 PC: C. Goff



Structure ID: MH-K108

P1 MH048BAEVfx

MH BASE EF/Xypex Cust. Ht. 08"F (08"EF =74"OD)

- P4) 24" - CASTING HEIGHT - 7" 0 lb
 - P3) 48" - ECC XYPEX CONE w/ 24" HOLE F/G - 42" 3116 lb
 - P2) 48" - MH RISER w/XYPEX SPECIAL T/G - 60" 4144 lb
 - P1) 48" - MH BASE EF/Xypex Cust. Ht. 08"F (08"EF =74"OD) T/n - 18" 4049 lb
 - 1) JOINT WRAP PRIMER - CONSEAL CS-75 (1 gal.) 0 lb
 - 1) JOINT WRAP - 0.065"x6"x50' CONSEAL CS212 0 lb
 - 1) 48" - MH INVERT CHANNEL w/XYPEX - FULL HEIGHT 1440 lb
 - 1) ADMIXTURE XYPEX C-500 NF RED 0 lb
 - 1) CASTING - HOE MC-350 F/C Sanitary 305 lb
 - 2) 48" - Conseal CS-102 1.00" (Double) 0 lb
 - 3) PSX - 12-08 NYLO 24 lb
 - 10) MH Step ML-10-TDS-NCR - 10" 0 lb
- Structure Total: 13078 lb

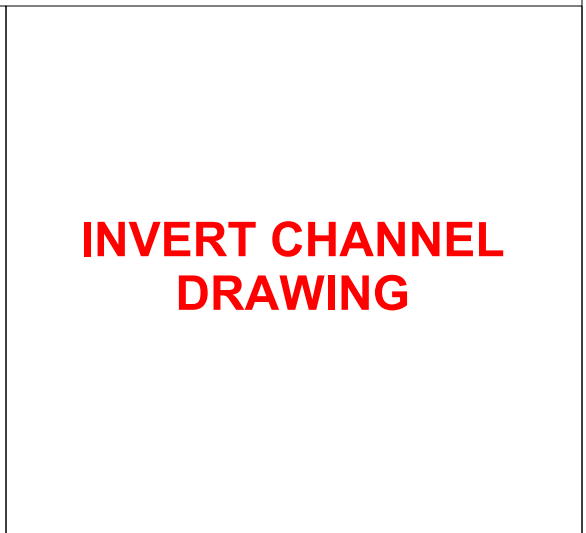
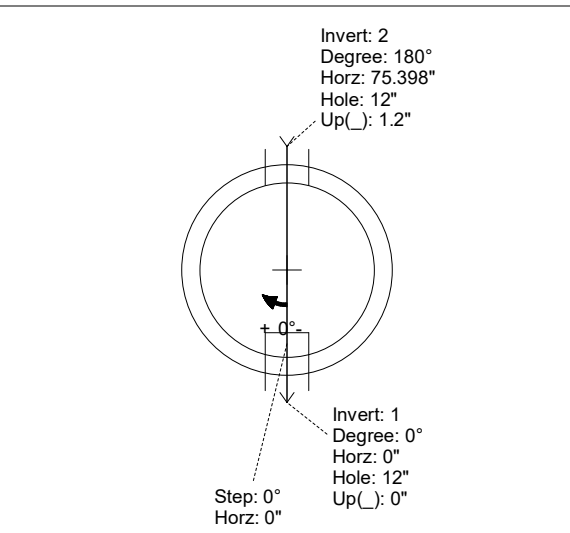
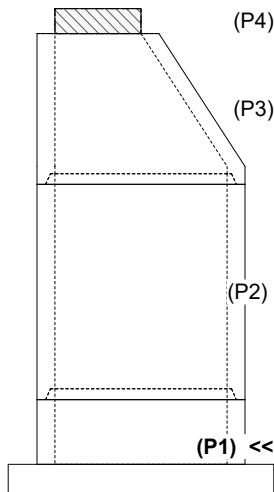
Structure Notes:
 STATION: 558+15.25
 1. PER KYTC & ASTM C-478 SPECIFICATIONS
 2. CONCRETE: 5,000 PSI AT 28 DAYS
 3. REINFORCEMENT: PER ASTM A615
 4. INVERT CHANNEL REQUIRED
 5. XYPEX ADMIXTURE REQUIRED
 6. STEPS AT 0 DEGREES
 7. HOE MC-350 FRAME & COVER "SANITARY" SUPPLIED BY ICAST

Rim: 744.25' Rim to Invert: 10.43' Slack: 0.16" Sump: 2" Step Position: 0°

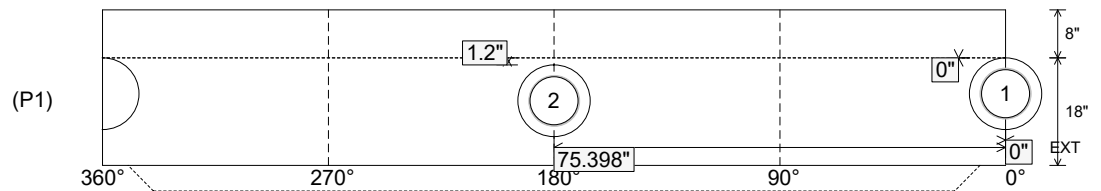
Position	Elev	Angle	Ext. (cw)	Pipe	Pipe OD	Connector	Hole	Horz Size	Up ()	Offset
Invert 1	733.82'	0°	0"	8" PVC SDR35	8.5"	PSX 12-08 NYLO	12"	12.129"	0"	0"
Invert 2	733.92'	180°	91.106"	8" PVC SDR35	8.5"	PSX 12-08 NYLO	12"	12.129"	1.2"	0"
Invert 3										
Invert 4										
Invert 5										
Invert 6										
Invert 7										
Invert 8										

RIGHT-SIDE UP VIEW (int. dimensions)

UPSIDE-DOWN VIEW (int. dimenions)



INSIDE WALL DIMENSIONS



Coating (Int):
 Coating (Ext):

Seam Up: Tongue
 Seam Dn: n/a

Wall Thickness: 5"
 Floor Height: 8"

Height (Int): 18"
 Height (Ext): 26"

Weight (Net): 4049 lb
 Volume (Net): 1.03cu.yd