

**Job Name: 24-1632 - KYTC Letting Call 100 (241306) Sanitary**  
**Job Location: Jackson, KY 41339**  
**Contractor: Triton Construction, Inc.**

PC: C. Goff  
 TECH: K. Cardwell  
 Plant: Beaver Dam, KY



Structure ID: **MH-K107**

Spec: Sanitary  
 Type: SAN.MH w/Xypex  
 Size: 48"

Rim: 737.35'  
 Invert: 732.88'  
 Rim to Invert: 4.47'

Sump: 2"  
 Floor (Top): 732.713'  
 Floor Height: 8"

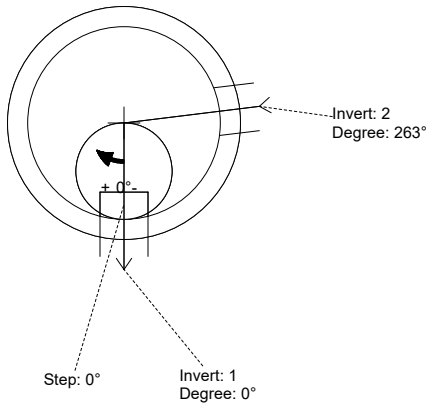
Floor (Bot): 732.047'  
 Overall Height: 5.25'  
 Slack: 0.64"

**Structure Notes:**

- STATION: 558+33.12  
 1. PER KYTC & ASTM C-478 SPECIFICATIONS  
 2. CONCRETE: 5,000 PSI AT 28 DAYS  
 3. REINFORCEMENT: PER ASTM A615  
 4. INVERT CHANNEL REQUIRED  
 5. XYPEX ADMIXTURE REQUIRED  
 6. STEPS AT 0 DEGREES  
 7. HOE MC-350 FRAME & COVER "SANITARY" SUPPLIED BY ICAST

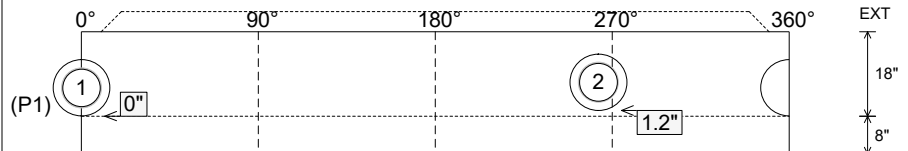
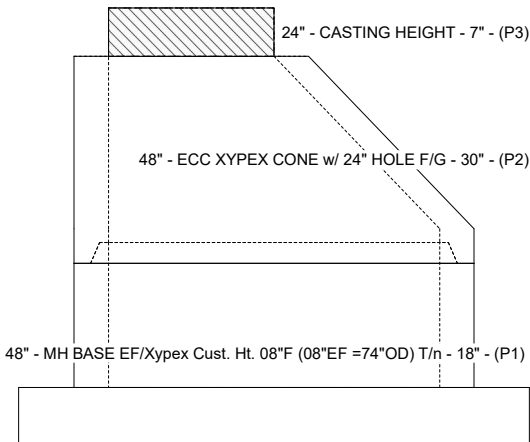
**STRUCTURE SUMMARY:**

- P3) 24" - CASTING HEIGHT - 7" 0 lb
  - P2) 48" - ECC XYPEX CONE w/ 24" HOLE F/G - 30" 1981 lb
  - P1) 48" - MH BASE EF/Xypex Cust. Ht. 08"F (08"EF =74"OD) T/n - 18" 4049 lb
  - 1) JOINT WRAP PRIMER - CONSEAL CS-75 (1 gal.) 0 lb
  - 1) JOINT WRAP - 0.065"x6"x50' CONSEAL CS212 0 lb
  - 1) 48" - MH INVERT CHANNEL w/XYPEX - FULL HEIGHT 1440 lb
  - 1) CASTING - HOE MC-350 F/C Sanitary 305 lb
  - 1) 48" - Conseal CS-102 1.00" (Double) 0 lb
  - 2) PSX - 12-08 NYLO 16 lb
  - 4) MH Step ML-10-TDS-NCR - 10" 0 lb
- Structure Total: 7791 lb



| Position | Elev    | Angle | Pipe         | Pipe OD | Hole | Connector      | Up (L) | Ref |
|----------|---------|-------|--------------|---------|------|----------------|--------|-----|
| Rim      | 737.35' |       |              |         |      |                |        |     |
| Reducer  |         |       |              |         |      |                |        |     |
| Invert 1 | 732.88' | 0°    | 8" PVC SDR35 | 8.5"    | 12"  | PSX 12-08 NYLO | 0"     | P1  |
| Invert 2 | 732.98' | 263°  | 8" PVC SDR35 | 8.5"    | 12"  | PSX 12-08 NYLO | 1.2"   | P1  |
| Invert 3 |         |       |              |         |      |                |        |     |
| Invert 4 |         |       |              |         |      |                |        |     |
| Invert 5 |         |       |              |         |      |                |        |     |
| Invert 6 |         |       |              |         |      |                |        |     |
| Invert 7 |         |       |              |         |      |                |        |     |
| Invert 8 |         |       |              |         |      |                |        |     |

**Cast (Int. Dim.) - Interior Dimensions**



Submittal Drawing  
 1/23/2026 8:56:18 AM

SUBMITTAL  
 APPROVED BY: