

Job Name: 24-1632 - KYTC Letting Call 100 (241306) Sanitary
Job Location: Jackson, KY 41339
Contractor: Triton Construction, Inc.

PC: C. Goff
 TECH: K. Cardwell
 Plant: Beaver Dam, KY



Structure ID: **MH-K105**

Spec: Sanitary
 Type: SAN.MH w/Xypex
 Size: 48"

Rim: 743.03'
 Invert: 731.97'
 Rim to Invert: 11.06'

Sump: 2"
 Floor (Top): 731.803'
 Floor Height: 8"

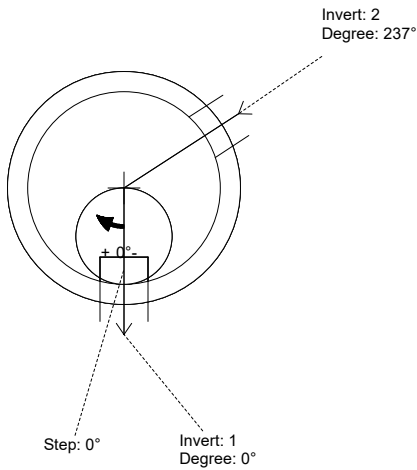
Floor (Bot): 731.137'
 Overall Height: 11.75'
 Slack: 1.72"

Structure Notes:

- STATION: 559+26.31
 1. PER KYTC & ASTM C-478 SPECIFICATIONS
 2. CONCRETE: 5,000 PSI AT 28 DAYS
 3. REINFORCEMENT: PER ASTM A615
 4. INVERT CHANNEL REQUIRED
 5. XYPEX ADMIXTURE REQUIRED
 6. STEPS AT 0 DEGREES
 7. HOE MC-350 FRAME & COVER "SANITARY" SUPPLIED BY ICAST

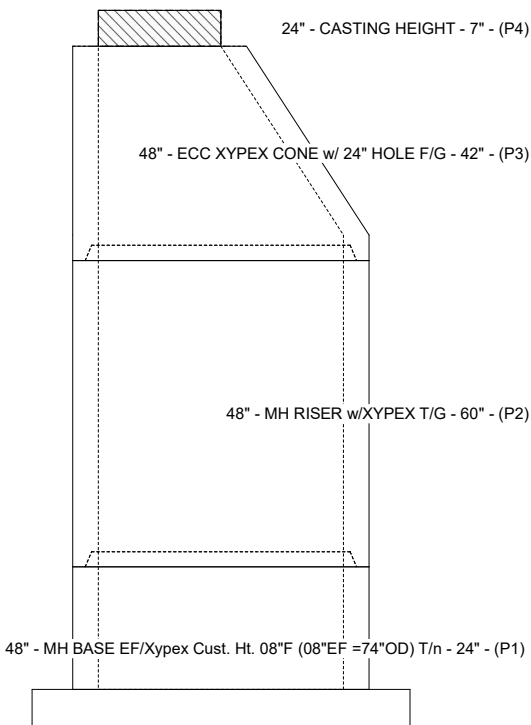
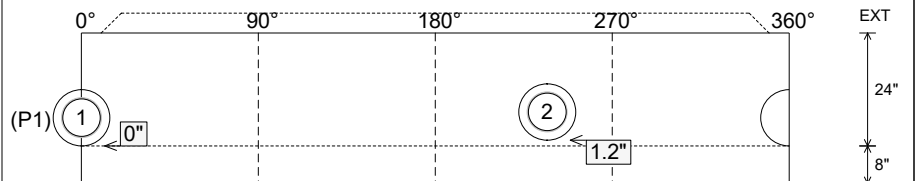
STRUCTURE SUMMARY:

- | | |
|--|-----------------|
| P4) 24" - CASTING HEIGHT - 7" | 0 lb |
| P3) 48" - ECC XYPEX CONE w/ 24" HOLE F/G - 42" | 3116 lb |
| P2) 48" - MH RISER w/XYPEX T/G - 60" | 4192 lb |
| P1) 48" - MH BASE EF/Xypex Cust. Ht. 08"F (08"EF =74"OD) T/n - 24" | 4468 lb |
| 1) JOINT WRAP PRIMER - CONSEAL CS-75 (1 gal.) | 0 lb |
| 1) JOINT WRAP - 0.065"x6"x50' CONSEAL CS212 | 0 lb |
| 1) 48" - MH INVERT CHANNEL w/XYPEX - FULL HEIGHT | 1440 lb |
| 1) CASTING - HOE MC-350 F/C Sanitary | 305 lb |
| 2) 48" - Conseal CS-102 1.00" (Double) | 0 lb |
| 2) PSX - 12-08 NYLO | 16 lb |
| 11) MH Step ML-10-TDS-NCR - 10" | 0 lb |
| Structure Total: | 13537 lb |



Position	Elev	Angle	Pipe	Pipe OD	Hole	Connector	Up (L)	Ref
Rim	743.03'							
Reducer								
Invert 1	731.97'	0°	8" PVC SDR35	8.5"	12"	PSX 12-08 NYLO	0"	P1
Invert 2	732.07'	237°	8" PVC SDR35	8.5"	12"	PSX 12-08 NYLO	1.2"	P1
Invert 3								
Invert 4								
Invert 5								
Invert 6								
Invert 7								
Invert 8								

Cast (Int. Dim.) - Interior Dimensions



Submittal Drawing
 1/23/2026 8:56:16 AM

SUBMITTAL
 APPROVED BY: