

Job Name: 24-1632 - KYTC Letting Call 100 (241306) Sanitary
 Job Location: Jackson, KY 41339
 Contractor: Triton Construction, Inc.

Plant: Beaver Dam, KY
 1/23/2026 7:13:18 AM

Tech: K. Cardwell
 PC: C. Goff



Structure ID: MH-K105

P3 MH048CN42X

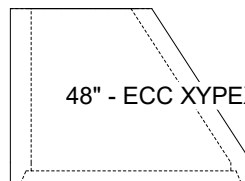
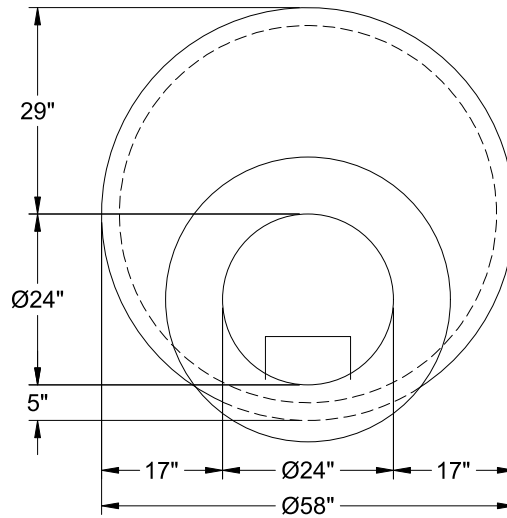
ECC XYPEX CONE w/ 24" HOLE F/G

- P4) 24" - CASTING HEIGHT - 7"
- P3) 48" - ECC XYPEX CONE w/ 24" HOLE F/G - 42"
- P2) 48" - MH RISER w/XYPEX T/G - 60"
- P1) 48" - MH BASE EF/Xypex Cust. Ht. 08"F (08"EF =74"OD) T/n - 24"
- 1) JOINT WRAP PRIMER - CONSEAL CS-75 (1 gal.)
- 1) JOINT WRAP - 0.065"x6"x50' CONSEAL CS212
- 1) 48" - MH INVERT CHANNEL w/XYPEX - FULL HEIGHT
- 1) ADMIXTURE XYPEX C-500 NF RED
- 1) CASTING - HOE MC-350 F/C Sanitary
- 2) 48" - Conseal CS-102 1.00" (Double)
- 2) PSX - 12-08 NYLO
- 11) MH Step ML-10-TDS-NCR - 10"

0 lb
 3116 lb
 4192 lb
 4468 lb
 0 lb
 0 lb
 1440 lb
 0 lb
 305 lb
 0 lb
 16 lb
 0 lb

 Structure Total: 13537 lb

Structure Notes:
 STATION: 559+26.31
 1. PER KYTC & ASTM C-478 SPECIFICATIONS
 2. CONCRETE: 5,000 PSI AT 28 DAYS
 3. REINFORCEMENT: PER ASTM A615
 4. XYPEX ADMIXTURE REQUIRED
 5. STEPS REQUIRED
 6. HOE MC-350 FRAME & COVER "SANITARY" SUPPLIED BY ICAST



48" - ECC XYPEX CONE w/ 24" HOLE F/G - 42" - (P3)

Coating (Int):
 Coating (Ext):

Seam Up: Flat
 Seam Dn: Groove

Wall Thickness: 5"

Height (Ext): 42"

Weight (Net): 3116 lb
 Volume (Net): 0.8cu.yd