

**Job Name: 24-1632 - KYTC Letting Call 100 (241306) Sanitary**  
**Job Location: Jackson, KY 41339**  
**Contractor: Triton Construction, Inc.**

PC: C. Goff  
 TECH: K. Cardwell  
 Plant: Beaver Dam, KY



Structure ID: **MH-K104**

Spec: Sanitary  
 Type: SAN.MH w/Xypex  
 Size: 48"

Rim: 739.79'  
 Invert: 731.07'  
 Rim to Invert: 8.72'

Sump: 2"  
 Floor (Top): 730.903'  
 Floor Height: 8"

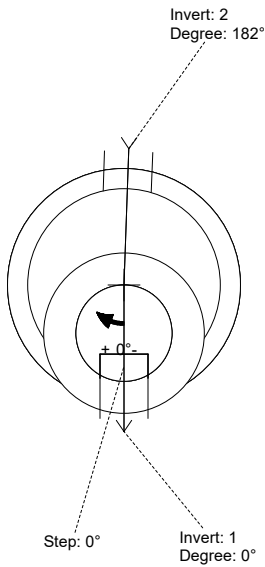
Floor (Bot): 730.237'  
 Overall Height: 9.5'  
 Slack: 0.64"

**Structure Notes:**

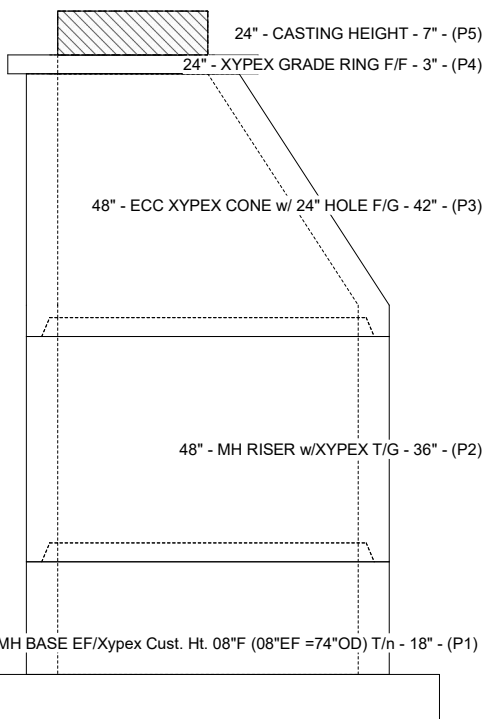
- STATION: 560+75.80  
 1. PER KYTC & ASTM C-478 SPECIFICATIONS  
 2. CONCRETE: 5,000 PSI AT 28 DAYS  
 3. REINFORCEMENT: PER ASTM A615  
 4. INVERT CHANNEL REQUIRED  
 5. XYPEX ADMIXTURE REQUIRED  
 6. STEPS AT 0 DEGREES  
 7. HOE MC-350 FRAME & COVER "SANITARY" SUPPLIED BY ICAST

**STRUCTURE SUMMARY:**

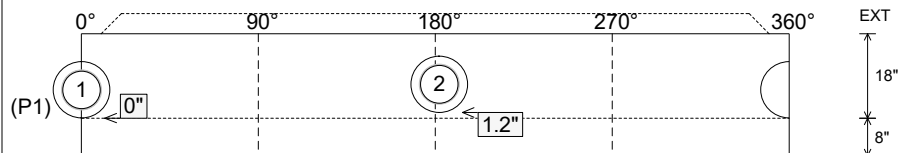
- P5) 24" - CASTING HEIGHT - 7" 0 lb
  - P4) 24" - XYPEX GRADE RING F/F - 3" 202 lb
  - P3) 48" - ECC XYPEX CONE w/ 24" HOLE F/G - 42" 3116 lb
  - P2) 48" - MH RISER w/XYPEX T/G - 36" 2515 lb
  - P1) 48" - MH BASE EF/Xypex Cust. Ht. 08"F (08"EF =74"OD) T/n - 18" 4049 lb
  - 1) JOINT WRAP PRIMER - CONSEAL CS-75 (1 gal.) 0 lb
  - 1) JOINT WRAP - 0.065"x6"x50' CONSEAL CS212 0 lb
  - 1) 48" - MH INVERT CHANNEL w/XYPEX - FULL HEIGHT 1440 lb
  - 1) CASTING - HOE MC-350 F/C Sanitary 305 lb
  - 2) 48" - Conseal CS-102 1.00" (Double) 0 lb
  - 2) PSX - 12-08 NYLO 16 lb
  - 8) MH Step ML-10-TDS-NCR - 10" 0 lb
- Structure Total: 11644 lb



Position	Elev	Angle	Pipe	Pipe OD	Hole	Connector	Up (L)	Ref
Rim	739.79'							
Reducer								
Invert 1	731.07'	0°	8" PVC SDR35	8.5"	12"	PSX 12-08 NYLO	0"	P1
Invert 2	731.17'	182°	8" PVC SDR35	8.5"	12"	PSX 12-08 NYLO	1.2"	P1
Invert 3								
Invert 4								
Invert 5								
Invert 6								
Invert 7								
Invert 8								



**Cast (Int. Dim.) - Interior Dimensions**



Submittal Drawing  
 1/23/2026 8:56:16 AM

SUBMITTAL  
 APPROVED BY: