

Job Name: 24-1632 - KYTC Letting Call 100 (241306) Sanitary  
 Job Location: Jackson, KY 41339  
 Contractor: Triton Construction, Inc.

Plant: Beaver Dam, KY  
 4/20/2026 11:00:25 AM

Tech: K. Cardwell  
 PC: C. Goff



**Structure ID: ARV 551+49.64**

**P2 MH048RSVF**

**MH RISER Custom Ht T/F**

- P4) 24" - CASTING HEIGHT - 7"
- P3) 48" - MH FLAT TOP w/ 24" ECC Hole F/G - 12"
- P2) 48" - MH RISER Custom Ht T/F - 50"
- P1) 48" - P.I.P. BY OTHERS - BTM SLAB F/n - 0"
- 1) CASTING - HOE MC-350 F/C Sanitary
- 2) 48" - Conseal CS-102 1.00" (Double)
- 2) DOGHOUSE - 10"x16"
- 4) MH Step ML-10-TDS-NCR - 10"

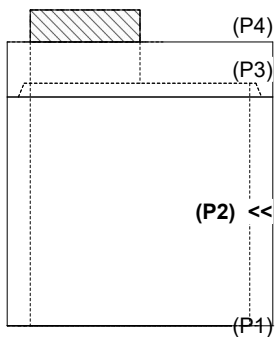
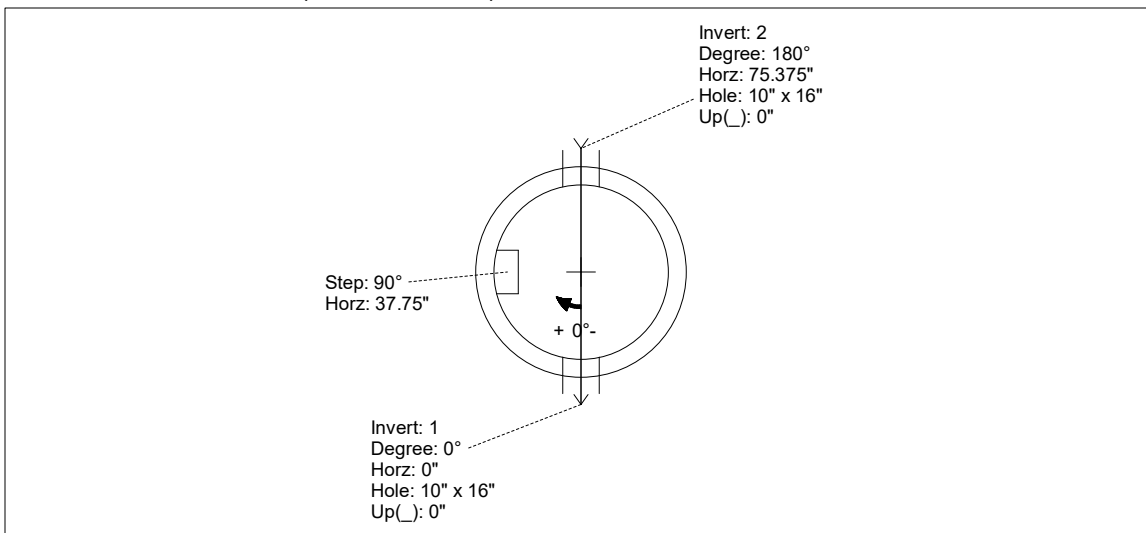
0 lb  
 1561 lb  
 3367 lb  
 0 lb  
 305 lb  
 0 lb  
 0 lb  
 0 lb  
 0 lb  
 Structure Total: 5233 lb

- Structure Notes:  
 STATION: 551+49.64 (37+00)  
 1. PER KYTC & ASTM C-478 SPECIFICATIONS  
 2. CONCRETE: 5,000 PSI AT 28 DAYS  
 3. REINFORCEMENT: PER ASTM A615  
 4. STEPS AT 90 DEGREES  
 5. HOE MC-350 FRAME & COVER "SANITARY" SUPPLIED BY ICAST  
 6. DOGHOUSE OPENINGS: 10" WIDE X 16" TALL

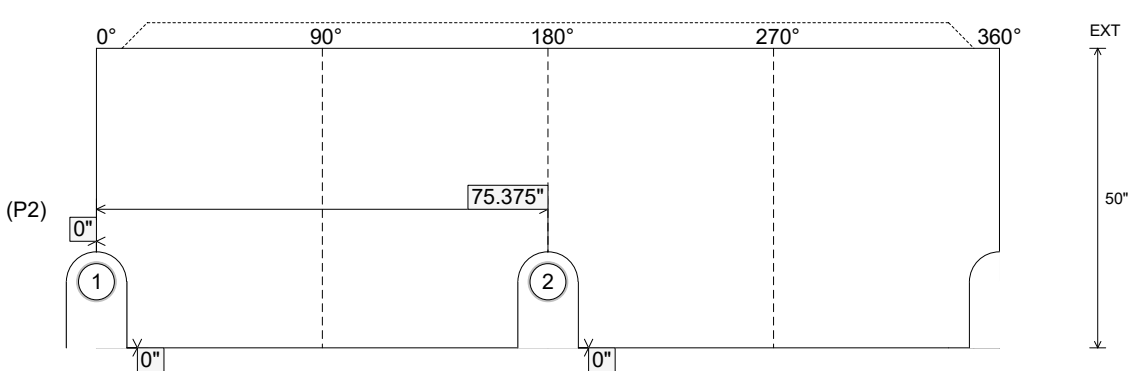
Rim: 5.75' Rim to Invert: 5.083' Slack: 0" Sump: 8" Step Position: 90°

Position	Elev	Angle	Ext. (cw)	Pipe	Pipe OD	Connector	Hole	Horz Size	Up ( )	Offset
Invert 1	0.667'	0°	0"	6" PVC SDR21	6.625"	DOGHOUSE 10"x16"	10" x 16"	10.074"	0"	0"
Invert 2	0.667'	180°	91.125"	6" PVC SDR21	6.625"	DOGHOUSE 10"x16"	10" x 16"	10.074"	0"	0"
Invert 3										
Invert 4										
Invert 5										
Invert 6										
Invert 7										
Invert 8										

**RIGHT-SIDE UP VIEW (int. dimensions)**



**INSIDE WALL DIMENSIONS**



Coating (Int):  
 Coating (Ext):

Seam Up: Tongue  
 Seam Dn: Flat

Wall Thickness: 5"  
 Floor Height: 0"

Height (Int): 50"  
 Height (Ext): 50"

Weight (Net): 3367 lb  
 Volume (Net): 0.86cu.yd