

**Job Name: 24-1632 - KYTC Letting Call 100 (241306) Sanitary**  
**Job Location: Jackson, KY 41339**  
**Contractor: Triton Construction, Inc.**

PC: C. Goff  
 TECH: K. Cardwell  
 Plant: Beaver Dam, KY



Structure ID: **ARV 547+21.64**  
 Spec: Sanitary  
 Type: SAN.MH (OPEN BTM)  
 Size: 48"

Rim: 5.42'  
 Invert: 0.5'  
 Rim to Invert: 4.92'

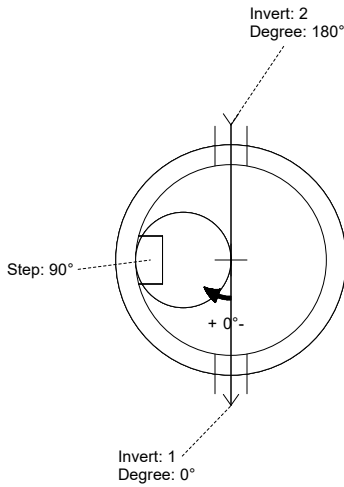
Sump: 6"  
 Floor (Top): 0'  
 Floor Height: 0"

Floor (Bot): 0'  
 Overall Height: 5.417'  
 Slack: 0.04"

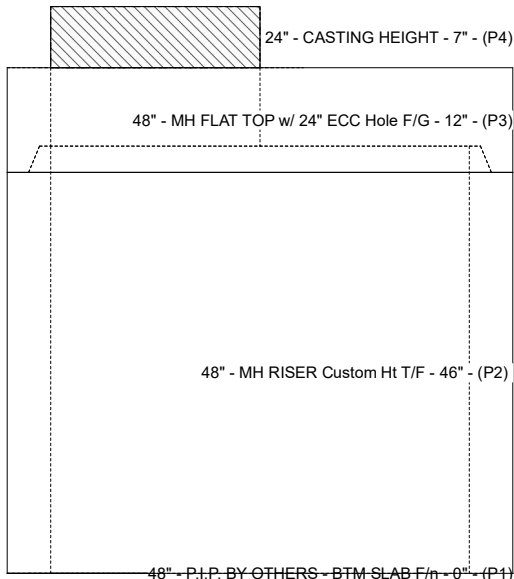
**Structure Notes:**  
 STATION: 547+21.64 (3+00)  
 1. PER KYTC & ASTM C-478 SPECIFICATIONS  
 2. CONCRETE: 5,000 PSI AT 28 DAYS  
 3. REINFORCEMENT:  
 - FLAT LID: #4 BAR @ 10" C.C. E.W. (GRADE 60)  
 - RISER: PER ASTM A615  
 4. STEPS AT 90 DEGREES  
 5. HOE MC-350 FRAME & COVER "SANITARY" SUPPLIED BY ICAST  
 6. DOGHOUSE OPENINGS: 8" WIDE X 12" TALL

**STRUCTURE SUMMARY:**

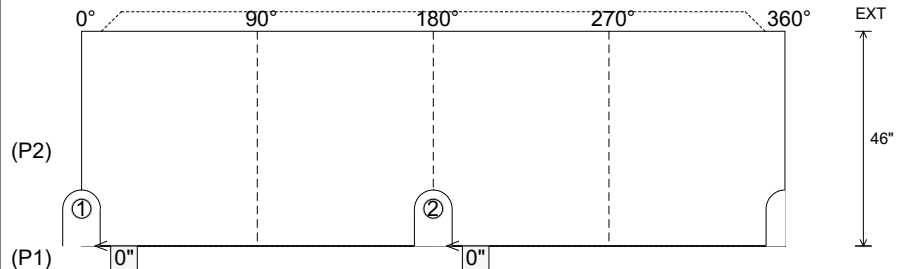
P4) 24" - CASTING HEIGHT - 7"	0 lb
P3) 48" - MH FLAT TOP w/ 24" ECC Hole F/G - 12"	1561 lb
P2) 48" - MH RISER Custom Ht T/F - 46"	3138 lb
P1) 48" - P.I.P. BY OTHERS - BTM SLAB F/n - 0"	0 lb
1) CASTING - HOE MC-350 F/C Sanitary	305 lb
2) 48" - Conseal CS-102 1.00" (Double)	0 lb
2) DOGHOUSE - 8"x12"	0 lb
4) MH Step ML-10-TDS-NCR - 10"	0 lb
<b>Structure Total:</b>	<b>5004 lb</b>



Position	Elev	Angle	Pipe	Pipe OD	Hole	Connector	Up (L)	Ref
Rim	5.42'							
Reducer								
Invert 1	0.5'	0°	4" PVC SDR21	4.375"	8" x 12"	DOGHOUSE 8"x12"	0"	P2
Invert 2	0.5'	180°	4" PVC SDR21	4.375"	8" x 12"	DOGHOUSE 8"x12"	0"	P2
Invert 3								
Invert 4								
Invert 5								
Invert 6								
Invert 7								
Invert 8								



**Cast (Int. Dim.) - Interior Dimensions**



Submittal Drawing  
 4/20/2026 9:33:33 AM

SUBMITTAL  
 APPROVED BY: