

Job Name: 24-1357C KYTC Letting Call 107 (ID 241303)
 Job Location: Morganfield, KY
 Contractor: Cleary Construction, Inc.

Plant: Beaver Dam, KY
 1/15/2026 10:48:53 AM

Tech: K. Cardwell
 PC: C. Goff



Structure ID: JB 2 (KYTC JB Ty A)

P2 BX024024-08LD08

CB FLAT TOP 8"W SOLID

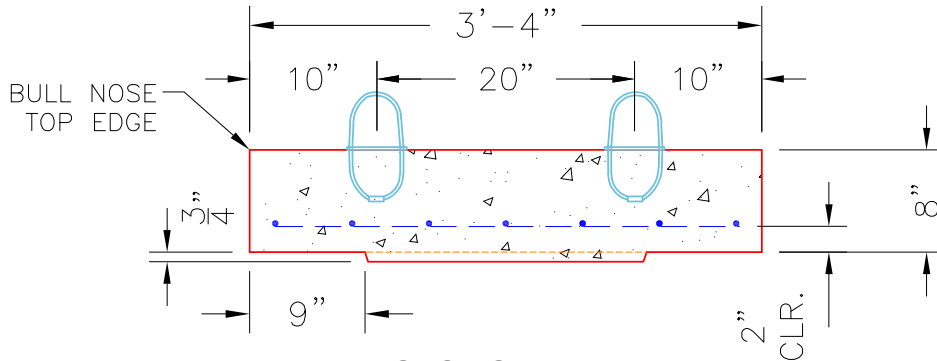
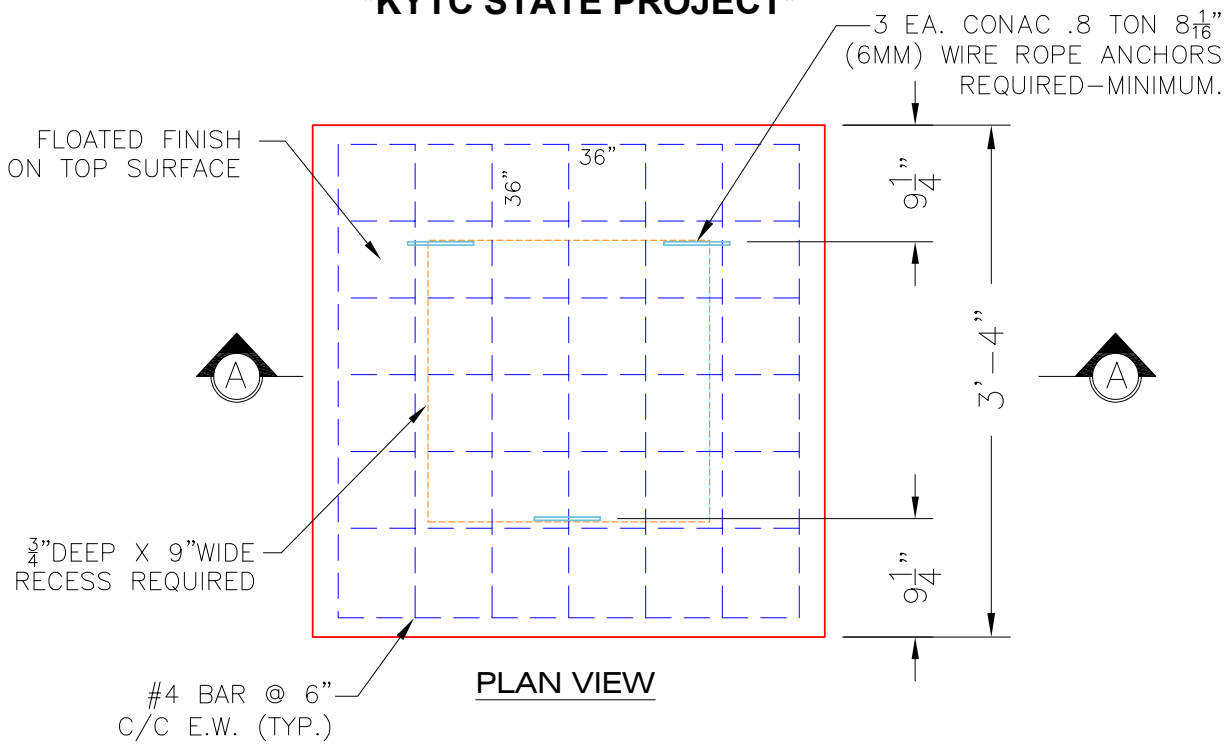
- P2) 24" x 24" - CB FLAT TOP 8"W SOLID - 8"
- P1) 24" x 24" - BOX BASE 8inW, 8inF, Variable Ht - 26"
- 1) 24" x 24" - SGL 1"x14.5' Butyl
- 1) Hole - 26
- 1) Hole - 22

1074 lb
 2786 lb
 0 lb
 0 lb
 0 lb

 Structure Total: 3860 lb

Structure Notes:
 ***KYTC STATE PROJECT**
 1. KYTC JUNCTION BOX TYPE A / PER ASTM C-913 SPEC'S
 2. CONCRETE: 5,000 PSI AT 28 DAYS
 3. SOLID TOP SLAB - NO CASTING
 4. REINFORCEMENT:
 - SOLID TOP: #5 BAR @ 6" C.C. E.W. (GRADE 60)
 - BASE: #5 BAR @ 12" C.C. E.W. (GRADE 60)

KYTC STATE PROJECT



- NOTES:**
- CONCRETE: 4500 PSI @ 28 DAYS.
 - MANUFACTURE TO KYTC SPECIFICATIONS.
 - REINFORCING: #4 BAR @ 6" C/C E.W.—GRADE 60. (BOTTOM LAYER ONLY)
 - 3 EA. CONAC WIRE LOOP LIFTERS REQUIRED.
 - KYTC CERTIFICATIONS REQUIRED.

[#4 BAR CUT LIST](#)
 14 EA. @ 36"

Coating (Int): Coating (Ext):	Seam Up: Flat Seam Dn: Flat	Wall Thickness: 8"	Height (Ext): 8"	Weight (Net): 1074 lb Volume (Net): 0.27cu.yd
----------------------------------	--------------------------------	--------------------	------------------	--