

Job Name: 24-1357C KYTC Letting Call 107 (ID 241303)
 Job Location: Morganfield, KY
 Contractor: Cleary Construction, Inc.

Plant: Beaver Dam, KY
 1/15/2026 10:48:37 AM

Tech: K. Cardwell
 PC: C. Goff



Structure ID: JB 1 (KYTC JB Ty A)

P1 BX2424-08BAVF

BOX BASE 8inW, 8inF, Variable Ht

- P2) 24" x 24" - CB FLAT TOP 8"W SOLID - 8"
- P1) 24" x 24" - BOX BASE 8inW, 8inF, Variable Ht - 26"
- 1) 24" x 24" - SGL 1"x14.5' Butyl
- 1) Hole - 26
- 1) Hole - 22

1074 lb
 2786 lb
 0 lb
 0 lb
 0 lb
 Structure Total: 3860 lb

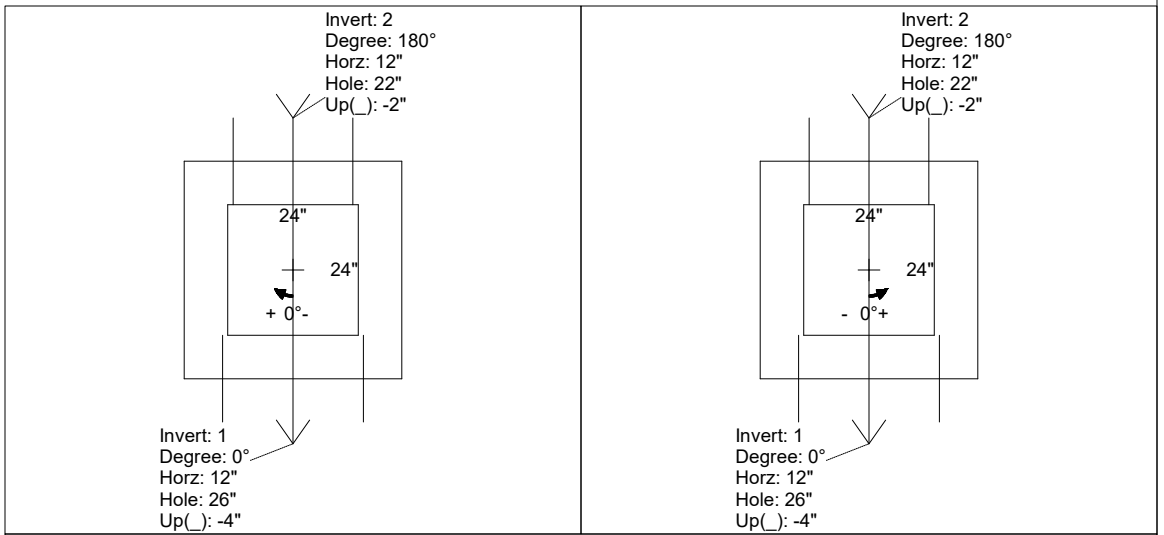
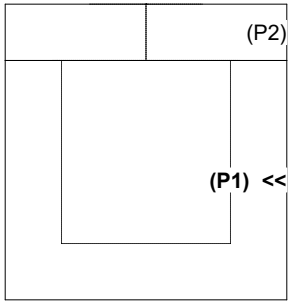
Structure Notes:
 ***KYTC STATE PROJECT**
 1. KYTC JUNCTION BOX TYPE A / PER ASTM C-913 SPEC'S
 2. CONCRETE: 5,000 PSI AT 28 DAYS
 3. SOLID TOP SLAB - NO CASTING
 4. REINFORCEMENT:
 - SOLID TOP: #5 BAR @ 6" C.C. E.W. (GRADE 60)
 - BASE: #5 BAR @ 12" C.C. E.W. (GRADE 60)

Rim: 2.87' Rim to Invert: 2.87' Slack: 0.44" Sump: 0" Step Position:

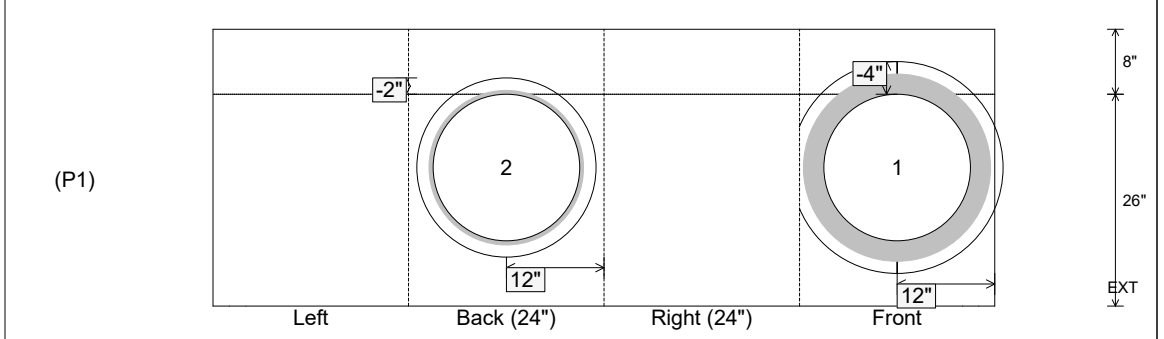
Position	Elev	Angle	Ext. (cw)	Pipe	Pipe OD	Connector	Hole	Horz Size	Up ()	Offset
Invert 1	0'	0°	20"	18" RCP B WALL	23"	Hole 26	26"	25"	-4"	0"
Invert 2	0'	180°	20"	18" CMP	19"	Hole 22	22"	22"	-2"	0"
Invert 3										
Invert 4										
Invert 5										
Invert 6										
Invert 7										
Invert 8										

RIGHT-SIDE UP VIEW (int. dimensions)

UPSIDE-DOWN VIEW (int. dimensions)



INSIDE WALL DIMENSIONS



Coating (Int): Coating (Ext):	Seam Up: Flat Seam Dn: n/a	Wall Thickness: 8" Floor Height: 8"	Height (Int): 26" Height (Ext): 34"	Weight (Net): 2786 lb Volume (Net): 0.71cu.yd
----------------------------------	-------------------------------	--	--	--