

Job Name: 24-1260 - Combined Sewer Separation Project Phase 3
 Job Location: Morganfield, KY 42437
 Contractor: Deig Bros Lumber & Construction Co, Inc.

Plant: Beaver Dam, KY

Tech: K. Cardwell

10/7/2025 9:05:10 AM

PC: A. Chambers



Structure ID: STMH 9+62

P2 MH060RS54S

MH RISER SPECIAL T/G

- P4) 24" - CASTING HEIGHT - 8"
- P3) 60" - MH FLAT LID w/24in ECC Hole F/G - 13"
- P2) 60" - MH RISER SPECIAL T/G - 54"
- P1) 60" - MH BASE w/FLANGE (08F/07EF) T/n - 54"
- 1) 60" - EXT. FLG (60ø MH)7"WD/8"THK
- 1) CASTING - HOE KY-510 F/C (KY TY.2)
- 2) 60" - Conseal CS-102 1.00"
- 2) Hole - 48
- 2) Hole - 18
- 9) MH Step ML-10-TDS-NCR - 10"

0 lb
 2800 lb
 5507 lb
 6186 lb
 1167 lb
 510 lb
 0 lb
 0 lb
 0 lb
 0 lb
 0 lb
 16170 lb

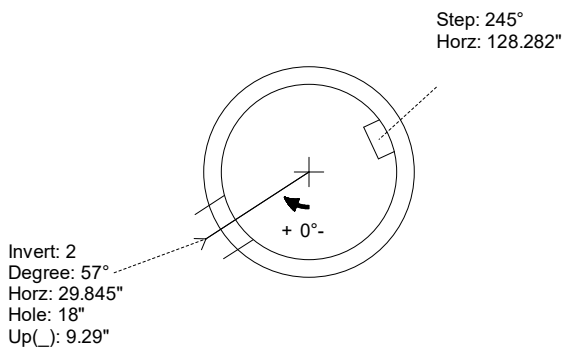
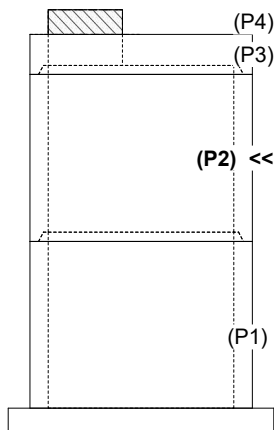
Structure Notes:
 STATION: 9+62 STORM LN A
 1. PER KYTC MH B / ASTM C-478 SPECS
 2. CONCRETE: 5,000 PSI AT 28 DAYS
 3. REINFORCEMENT: PER ASTM A615
 4. STORM INVERT BY OTHERS
 5. STEPS AT 245 DEGREES
 6. KY-510 FRAME & COVER SUPPLIED BY ICAST
 7. INVERT 4 OFFSET 3" FROM CENTER

Structure Total: 16170 lb

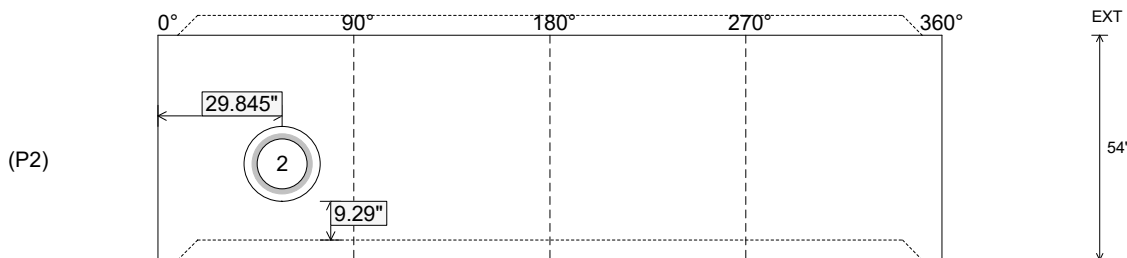
Rim: 424.41' Rim to Invert: 10.45' Slack: 2.4" Sump: 0" Step Position: 245

Position	Elev	Angle	Ext. (cw)	Pipe	Pipe OD	Connector	Hole	Horz Size	Up ()	Offset
Invert 1										
Invert 2	419.38'	57°	35.814"	12" HDPE	14.5"	Hole 18	18"	18.282"	9.29"	0"
Invert 3										
Invert 4										
Invert 5										
Invert 6										
Invert 7										
Invert 8										

RIGHT-SIDE UP VIEW (int. dimensions)



INSIDE WALL DIMENSIONS



Coating (Int):
 Coating (Ext):

Seam Up: Tongue
 Seam Dn: Groove

Wall Thickness: 6"
 Floor Height: 0"

Height (Int): 54"
 Height (Ext): 54"

Weight (Net): 5507 lb
 Volume (Net): 1.41cu.yd