

Job Name: 24-1260 - Combined Sewer Separation Project Ph 3
Job Location: Morganfield, KY 42437
Contractor: Deig Bros Lumber & Construction Co, Inc.

PC: J. Jarvis
 TECH: K. Cardwell
 Plant: Beaver Dam, KY

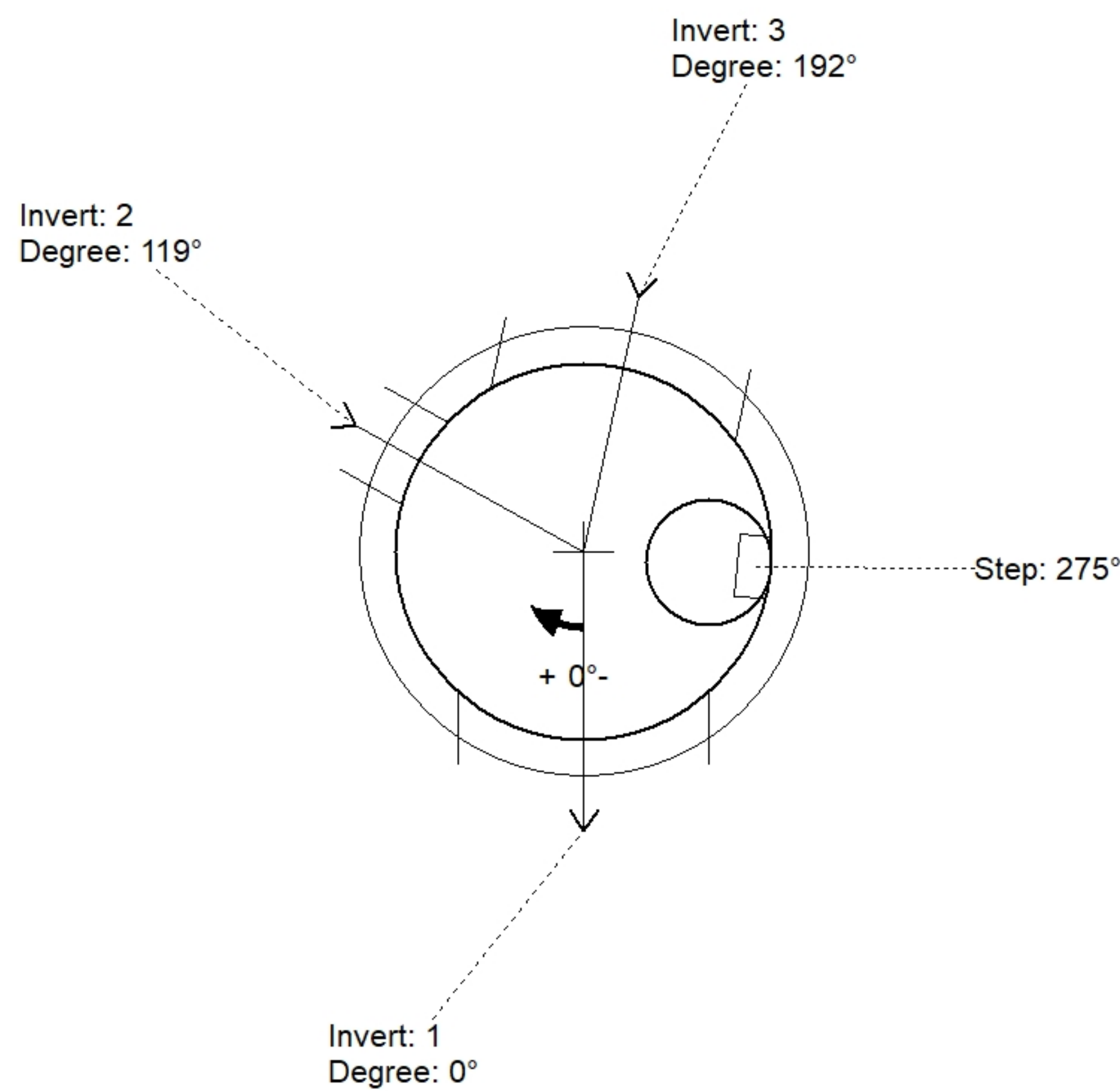


Structure ID: **STMH 9+03**
 Spec: KYTC Rim: 423.56' Sump: 0" Floor (Bot): 412.263'
 Type: MH B Invert: 413.43' Floor (Top): 412.93' Overall Height: 11'
 Size: 72" Rim to Invert: 10.13' Floor Height: 8" Slack: 3.56"

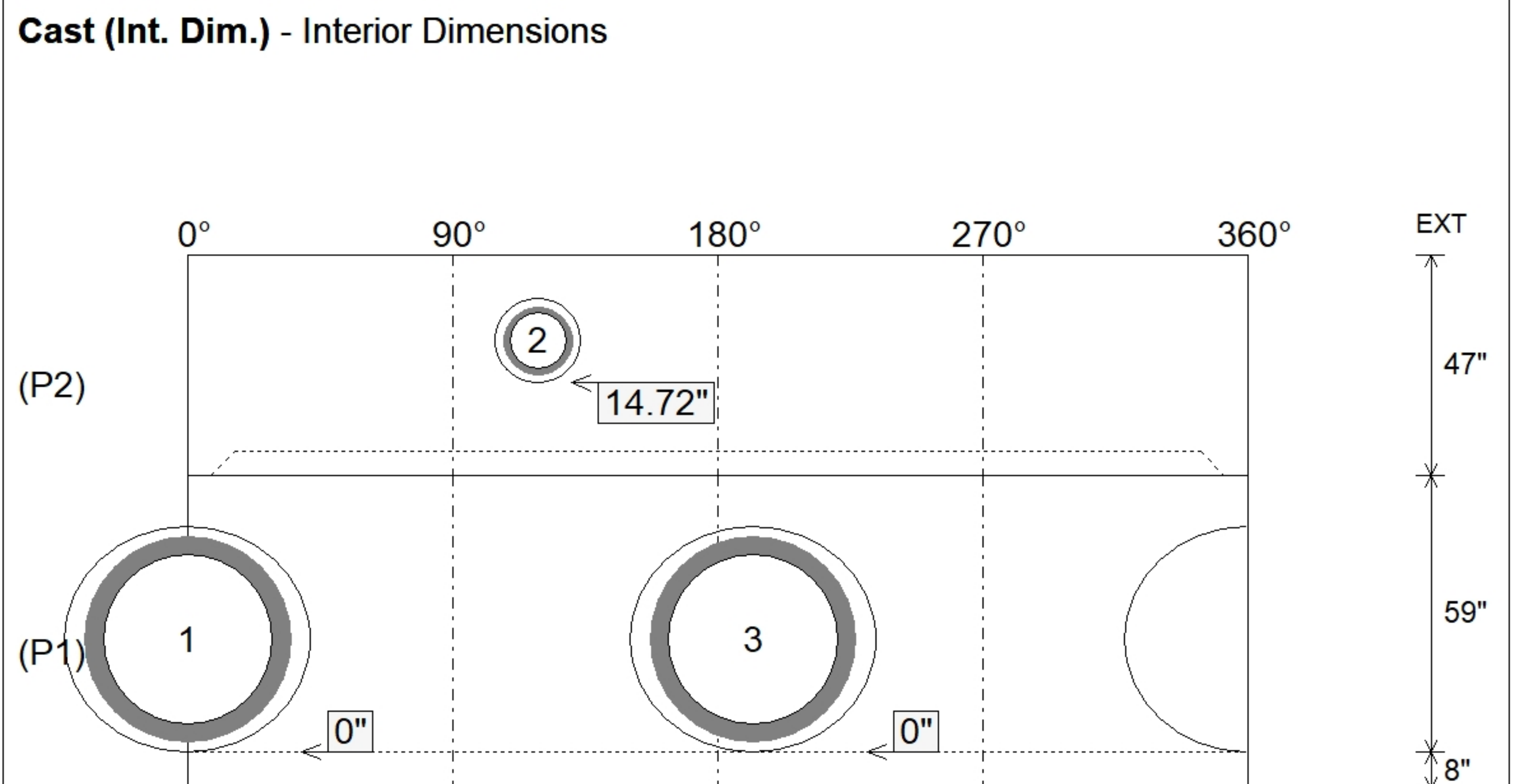
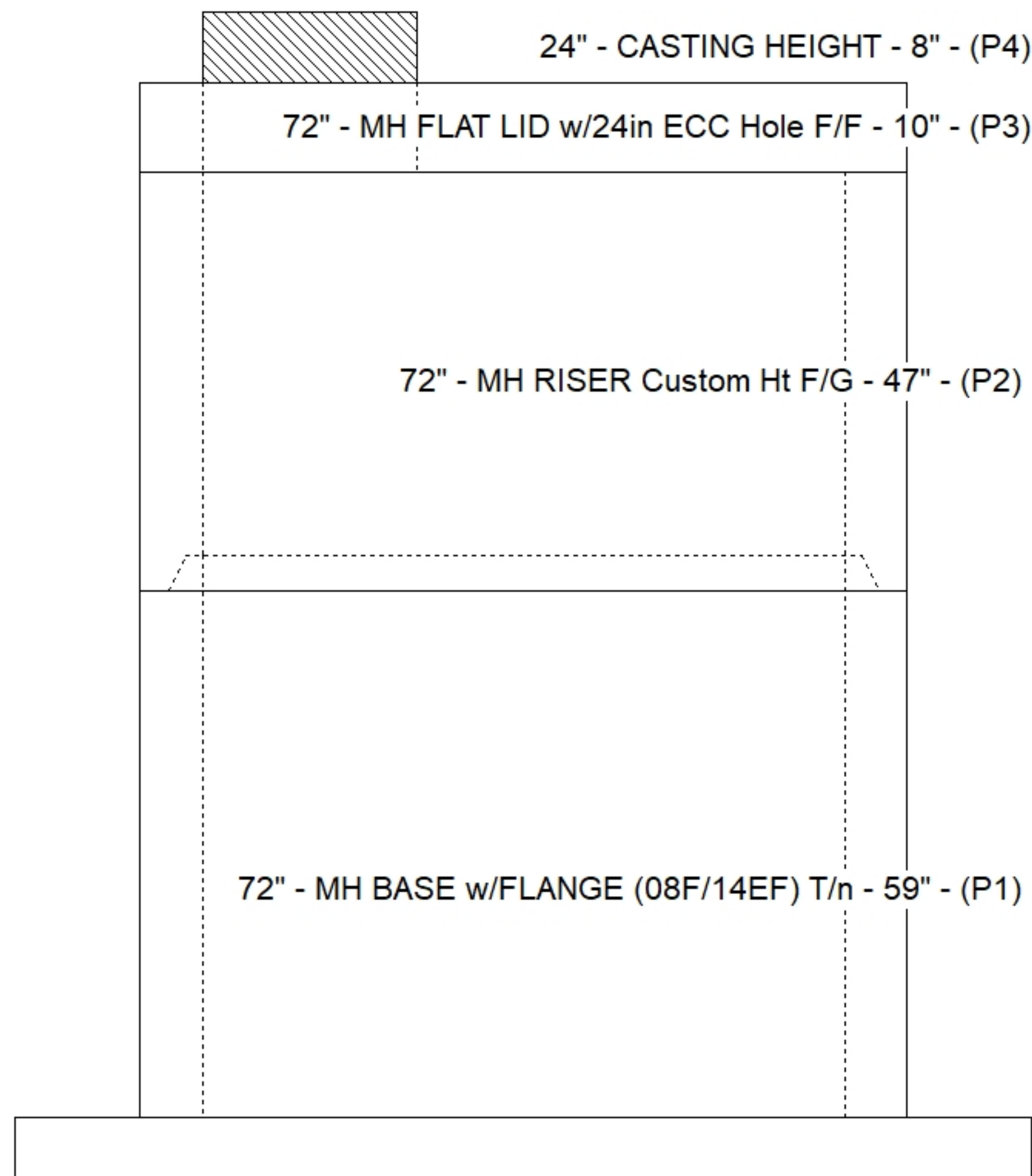
Structure Notes:
 STATION: 9+03 STORM LN A
 1. PER KYTC MH B / ASTM C-913 SPECS
 2. CONCRETE: 5,000 PSI AT 28 DAYS
 3. REINFORCEMENT:
 - FLAT LID TOP: #4 BAR @ 18" C.C. E.W. (GRADE 60)
 - FLAT LID BOTTOM: #4 BAR @ 9" C.C. E.W. (GRADE 60)
 - BASE: PER ASTM A615
 4. STORM INVERT BY OTHERS
 5. STEPS AT 275 DEGREES
 6. KY-510 FRAME & COVER SUPPLIED BY ICAST

STRUCTURE SUMMARY:

P4) 24" - CASTING HEIGHT - 8"	0 lb
P3) 72" - MH FLAT LID w/24in ECC Hole F/F - 10"	4495 lb
P2) 72" - MH RISER Custom Ht F/G - 47"	6701 lb
P1) 72" - MH BASE w/FLANGE (08F/14EF) T/n - 59"	13162 lb
1) CASTING - HOE KY-510 F/C (KY TY.2)	510 lb
2) 72" - Conseal CS-102 1.00"	0 lb
2) Hole - 48	0 lb
1) Hole - 18	0 lb
4) MH Step ML-10-TDS-NCR - 10"	0 lb
Structure Total:	24867 lb



Position	Elev	Angle	Pipe	Pipe OD	Hole	Connector	Up (")	Ref
Rim	423.56'							
Reducer								
Invert 1	413.43'	0°	36" RCP B WALL	44"	48"	Hole 48	0"	P1
Invert 2	419.74'	119°	12" HDPE	14.5"	18"	Hole 18	14.72"	P2
Invert 3	413.43'	192°	36" RCP B WALL	44"	48"	Hole 48	0"	P1
Invert 4								
Invert 5								
Invert 6								
Invert 7								
Invert 8								



Submittal Drawing
 10/13/2025 12:53:04 PM

SUBMITTAL
 APPROVED BY: