

Job Name: 24-1260 - Combined Sewer Separation Project Phase 3
 Job Location: Morganfield, KY 42437
 Contractor: Deig Bros Lumber & Construction Co, Inc.

Plant: Beaver Dam, KY
 10/7/2025 9:03:57 AM

Tech: K. Cardwell
 PC: A. Chambers



Structure ID: STMH 9+03

P1 MH072BAEVF-14

MH BASE w/FLANGE (08F/14EF) T/n

P4) 24" - CASTING HEIGHT - 8"	0 lb
P3) 72" - MH FLAT LID w/24in ECC Hole F/F - 10"	4495 lb
P2) 72" - MH RISER Custom Ht F/G - 47"	6701 lb
P1) 72" - MH BASE w/FLANGE (08F/14EF) T/n - 59"	10209 lb
1) 72" - EXT. FLG (72ø MH)14"WD/8"THK	2953 lb
1) CASTING - HOE KY-510 F/C (KY TY.2)	510 lb
2) 72" - Conseal CS-102 1.00"	0 lb
2) Hole - 48	0 lb
1) Hole - 18	0 lb
9) MH Step ML-10-TDS-NCR - 10"	0 lb
Structure Total:	24868 lb

Structure Notes:
 STATION: 9+03 STORM LN A
 1. PER KYTC MH B / ASTM C-478 SPECS
 2. CONCRETE: 5,000 PSI AT 28 DAYS
 3. REINFORCEMENT: PER ASTM A615
 4. STORM INVERT BY OTHERS
 5. STEPS AT 275 DEGREES
 6. KY-510 FRAME & COVER SUPPLIED BY ICAST

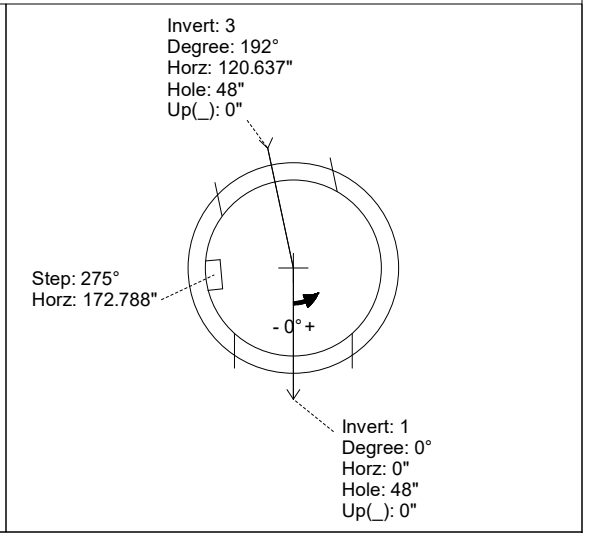
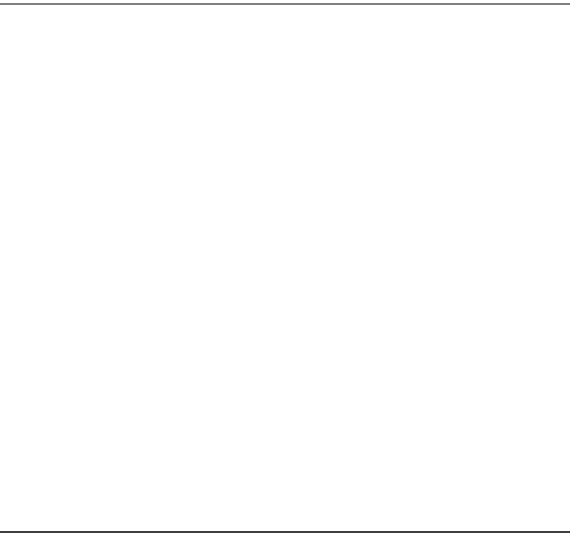
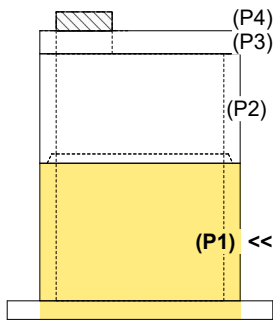
FIRST POUR (BASE): 10,209 LBS
SECOND POUR (EXT. FLANGE): 2,953 LBS

Rim: 423.56' Rim to Invert: 10.13' Slack: 3.56" Sump: 0" Step Position: 275

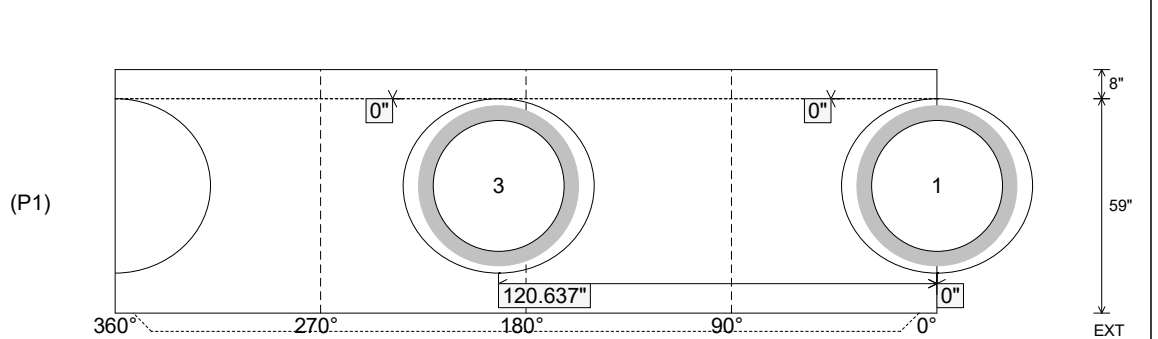
Position	Elev	Angle	Ext. (cw)	Pipe	Pipe OD	Connector	Hole	Horz Size	Up ()	Offset
Invert 1	413.43'	0°	0"	36" RCP B WALL	44"	Hole 48	48"	52.54"	0"	0"
Invert 2										
Invert 3	413.43'	192°	144.094"	36" RCP B WALL	44"	Hole 48	48"	52.54"	0"	0"
Invert 4										
Invert 5										
Invert 6										
Invert 7										
Invert 8										

RIGHT-SIDE UP VIEW (int. dimensions)

UPSIDE-DOWN VIEW (int. dimensions)



INSIDE WALL DIMENSIONS



Coating (Int):
 Coating (Ext):

Seam Up: Tongue
 Seam Dn: n/a

Wall Thickness: 7"
 Floor Height: 8"

Height (Int): 59"
 Height (Ext): 67"

Weight (Net): 13162 lb
 Volume (Net): 3.36cu.yd

Job Name: 24-1260 - Combined Sewer Separation Project Phase 3
 Job Location: Morganfield, KY 42437
 Contractor: Deig Bros Lumber & Construction Co, Inc.

Plant: Beaver Dam, KY

Tech: K. Cardwell

10/7/2025 9:03:57 AM

PC: A. Chambers



Structure ID: STMH 9+03

P1 MH072EXBAP-14

14" EXTENDED FLANGE POUR

- P4) 24" - CASTING HEIGHT - 8"
- P3) 72" - MH FLAT LID w/24in ECC Hole F/F - 10"
- P2) 72" - MH RISER Custom Ht F/G - 47"
- P1) 72" - MH BASE w/FLANGE (08F/14EF) T/n - 59"
- 1) 72" - EXT. FLG (72ø MH)14"WD/8"THK
- 1) CASTING - HOE KY-510 F/C (KY TY.2)
- 2) 72" - Conseal CS-102 1.00"
- 2) Hole - 48
- 1) Hole - 18
- 9) MH Step ML-10-TDS-NCR - 10"

0 lb
 4495 lb
 6701 lb
 10209 lb
 2953 lb
 510 lb
 0 lb
 0 lb
 0 lb
 0 lb
 0 lb
 24868 lb

Structure Total: 24868 lb

Structure Notes:

- STATION: 9+03 STORM LN A
- 1. PER KYTC MH B / ASTM C-478 SPECS
- 2. CONCRETE: 5,000 PSI AT 28 DAYS
- 3. REINFORCEMENT: DRILL & DOWEL #5 BAR @ 8" C.C. E.W. (GRADE 60) FOR FLANGE POUR TIE-IN - MIN. 4" PENETRATION INTO BASE FLOOR & 2" MIN. REBAR CLEARANCE (TYP)
- 4. STORM INVERT BY OTHERS
- 5. STEPS AT 275 DEGREES
- 6. KY-510 FRAME & COVER SUPPLIED BY ICAST

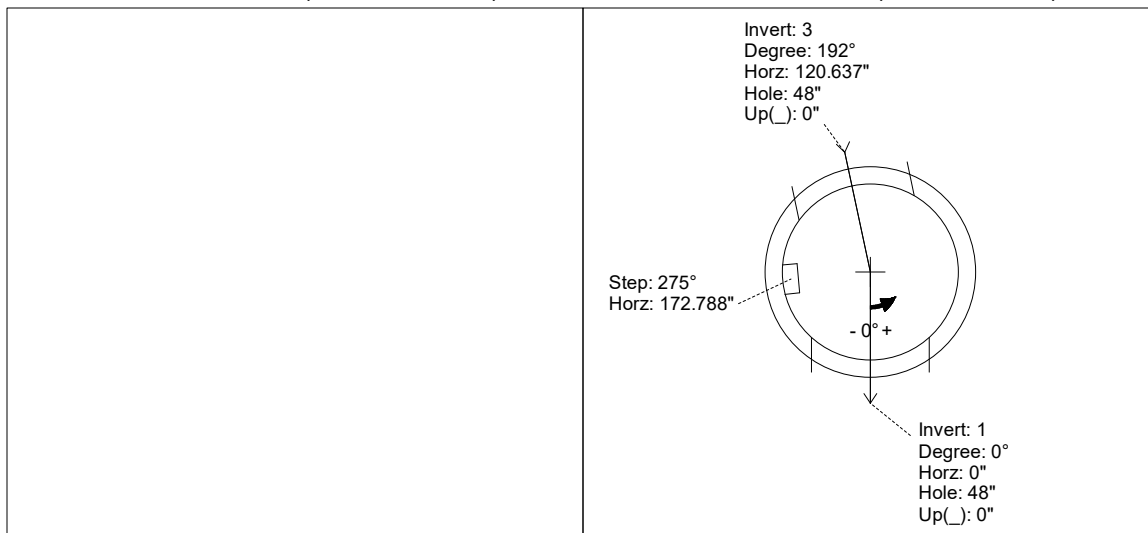
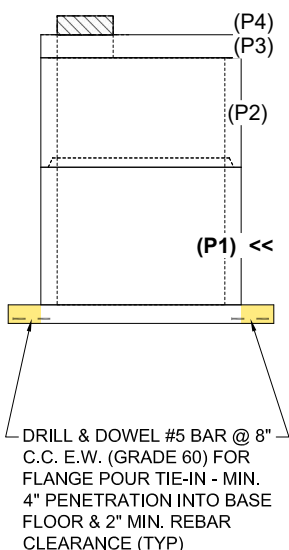
FIRST POUR (BASE): 10,209 LBS
SECOND POUR (EXT. FLANGE): 2,953 LBS

Rim: 423.56' Rim to Invert: 10.13' Slack: 3.56" Sump: 0" Step Position: 275

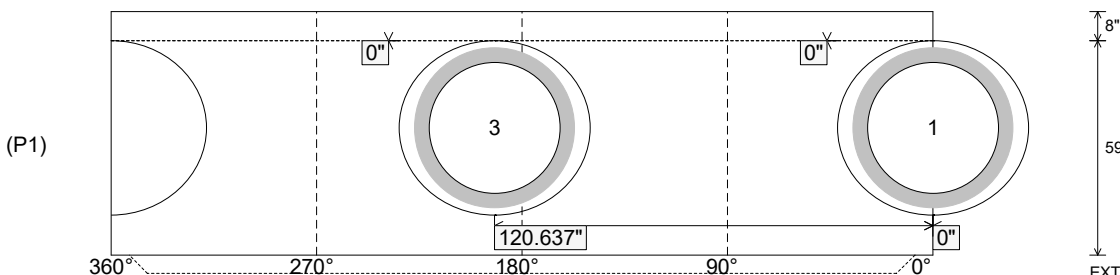
Position	Elev	Angle	Ext. (cw)	Pipe	Pipe OD	Connector	Hole	Horz Size	Up ()	Offset
Invert 1	413.43'	0°	0"	36" RCP B WALL	44"	Hole 48	48"	52.54"	0"	0"
Invert 2										
Invert 3	413.43'	192°	144.094"	36" RCP B WALL	44"	Hole 48	48"	52.54"	0"	0"
Invert 4										
Invert 5										
Invert 6										
Invert 7										
Invert 8										

RIGHT-SIDE UP VIEW (int. dimensions)

UPSIDE-DOWN VIEW (int. dimensions)



INSIDE WALL DIMENSIONS



Coating (Int):
 Coating (Ext):

Seam Up: Tongue
 Seam Dn: n/a

Wall Thickness: 7"
 Floor Height: 8"

Height (Int): 59"
 Height (Ext): 67"

Weight (Net): 13162 lb
 Volume (Net): 3.36cu.yd