

**Job Name: 24-1260 - Combined Sewer Separation Project Ph 3**  
**Job Location: Morganfield, KY 42437**  
**Contractor: Deig Bros Lumber & Construction Co, Inc.**

PC: J. Jarvis  
 TECH: K. Cardwell  
 Plant: Beaver Dam, KY



Structure ID: **STMH 2+39**  
 Spec: KYTC  
 Type: MH B (pipe recessed)  
 Size: 48"

Rim: 430.03'  
 Invert: 425.42'  
 Rim to Invert: 4.61'

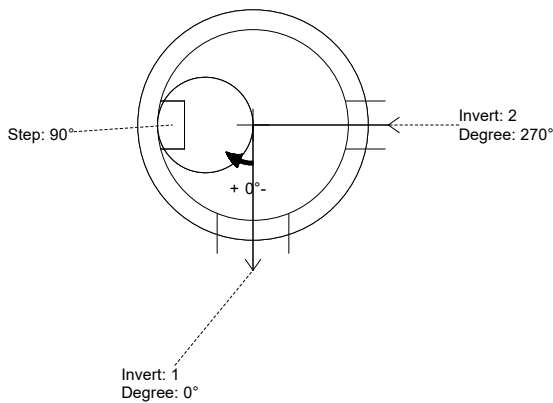
Sump: 0"  
 Floor (Top): 425.42'  
 Floor Height: 8"

Floor (Bot): 424.753'  
 Overall Height: 5'  
 Slack: 3.32"

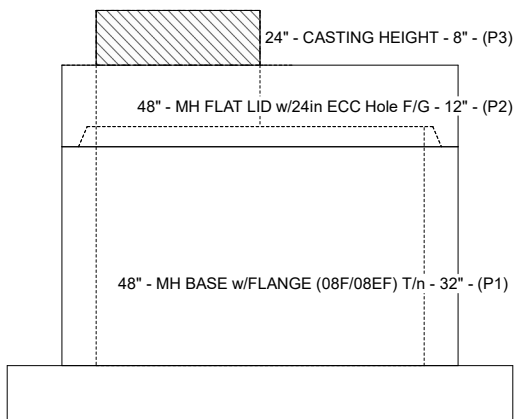
**Structure Notes:**  
 STATION: 2+39 STORM LN D  
 1. PER KYTC MH B / ASTM C-478 SPECS  
 2. CONCRETE: 5,000 PSI AT 28 DAYS  
 3. REINFORCEMENT:  
 - FLAT LID: #4 BAR @ 10" C.C. E.W. (GRADE 60)  
 - BASE: PER ASTM A615  
 4. STORM INVERT BY OTHERS  
 5. STEPS AT 90 DEGREES  
 6. KY-510 FRAME & COVER SUPPLIED BY ICAST

**STRUCTURE SUMMARY:**

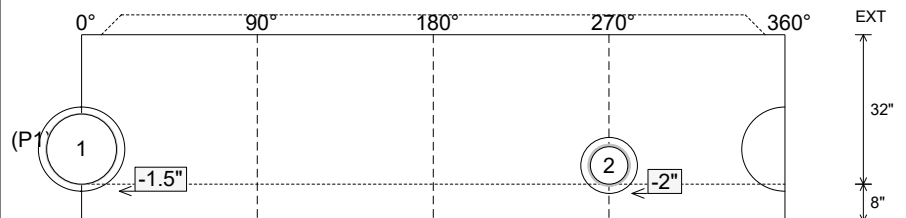
P3) 24" - CASTING HEIGHT - 8"	0 lb
P2) 48" - MH FLAT LID w/24in ECC Hole F/G - 12"	1561 lb
P1) 48" - MH BASE w/FLANGE (08F/08EF) T/n - 32"	4966 lb
1) CASTING - HOE KY-510 F/C (KY TY.2)	510 lb
1) 48" - Conseal CS-102 1.00"	0 lb
1) Hole - 18	0 lb
1) Hole - 12	0 lb
3) MH Step ML-10-TDS-NCR - 10"	0 lb
<b>Structure Total:</b>	<b>7037 lb</b>



Position	Elev	Angle	Pipe	Pipe OD	Hole	Connector	Up (↓)	Ref
Rim	430.03'							
Reducer								
Invert 1	425.42'	0°	15" PVC SDR35	15.3"	18"	Hole 18	-1.5"	P1
Invert 2	425.42'	270°	8" ADS N-12	9.1"	12"	Hole 12	-2"	P1
Invert 3								
Invert 4								
Invert 5								
Invert 6								
Invert 7								
Invert 8								



**Cast (Int. Dim.) - Interior Dimensions**



Submittal Drawing  
 11/6/2025 6:33:01 AM

SUBMITTAL  
 APPROVED BY: