

Job Name: 24-1260 - Combined Sewer Separation Project Ph 3
 Job Location: Morganfield, KY 42437
 Contractor: Deig Bros Lumber & Construction Co, Inc.

Plant: Beaver Dam, KY

Tech: K. Cardwell

11/5/2025 2:08:31 PM

PC: J. Jarvis



Structure ID: STMH 2+39

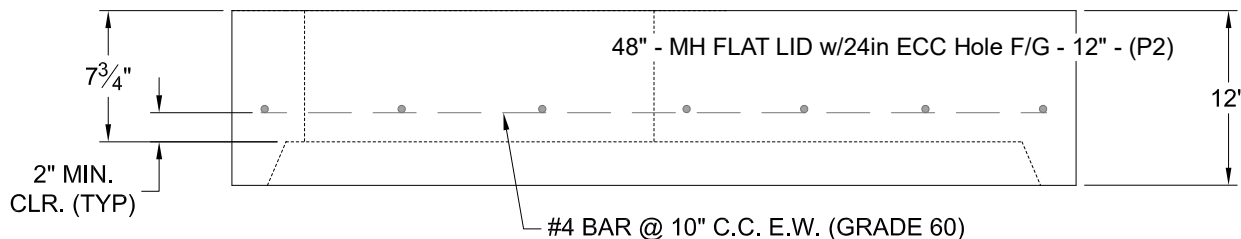
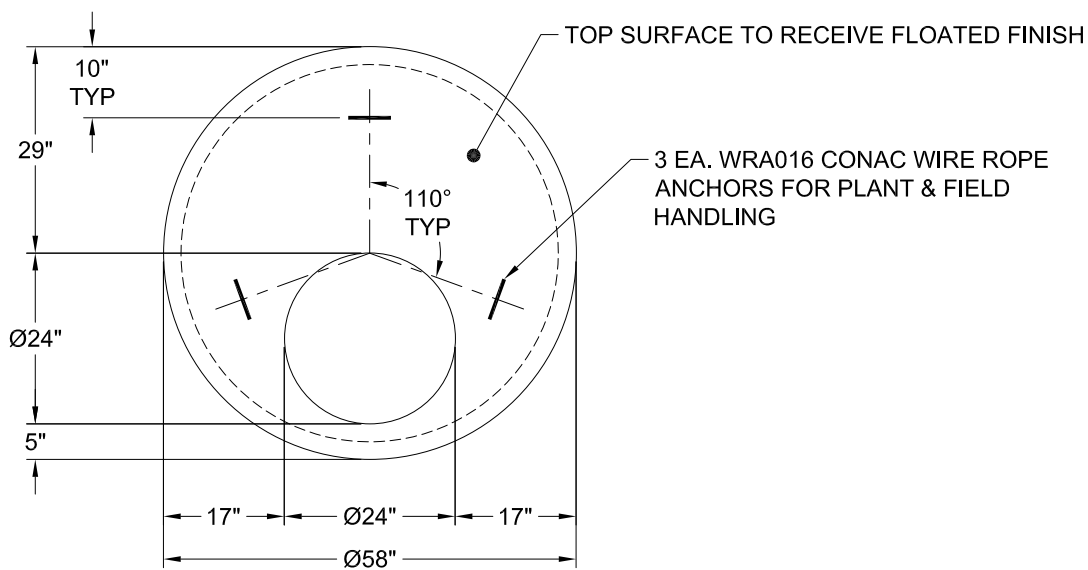
P2 MH048LD12ECC

MH FLAT LID w/24in ECC Hole F/G

- P3) 24" - CASTING HEIGHT - 8"
- P2) 48" - MH FLAT LID w/24in ECC Hole F/G - 12"
- P1) 48" - MH BASE w/FLANGE (08F/08EF) T/n - 32"
- 1) CASTING - HOE KY-510 F/C (KY TY.2)
- 1) 48" - Conseal CS-102 1.00"
- 1) Hole - 18
- 1) Hole - 12
- 3) MH Step ML-10-TDS-NCR - 10"

	0 lb
	1561 lb
	4966 lb
	510 lb
	0 lb
	0 lb
	0 lb
	0 lb
	0 lb
Structure Total:	7037 lb

- Structure Notes:
 STATION: 2+69 STORM LN D
1. PER KYTC MH B / ASTM C-478 SPECS
 2. CONCRETE: 5,000 PSI AT 28 DAYS
 3. REINFORCEMENT: #4 BAR @ 10" C.C. E.W. (GRADE 60) - 2" MIN. REBAR CLEARANCE (TYP)
 4. STORM INVERT BY OTHERS
 5. STEPS AT 90 DEGREES
 6. KY-510 FRAME & COVER SUPPLIED BY ICAST
 7. LIFTERS: 3 EA. WRA016 CONAC WIRE ROPE ANCHORS FOR PLANT & FIELD HANDLING



Coating (Int):
 Coating (Ext):

Seam Up: Flat
 Seam Dn: Groove

Wall Thickness: 5"

Height (Ext): 12"

Weight (Net): 1561 lb
 Volume (Net): 0.4cu.yd