

Job Name: 24-1260 - Combined Sewer Separation Project Ph 3
 Job Location: Morganfield, KY 42437
 Contractor: Deig Bros Lumber & Construction Co, Inc.

Plant: Beaver Dam, KY
 11/5/2025 2:05:01 PM

Tech: K. Cardwell
 PC: J. Jarvis



Structure ID: STMH 2+39

P1 MH048BAEVF

MH BASE w/FLANGE (08F/08EF) T/n

- P3) 24" - CASTING HEIGHT - 8"
- P2) 48" - MH FLAT LID w/24in ECC Hole F/G - 12"
- P1) 48" - MH BASE w/FLANGE (08F/08EF) T/n - 32"
- 1) CASTING - HOE KY-510 F/C (KY TY.2)
- 1) 48" - Conseal CS-102 1.00"
- 1) Hole - 18
- 1) Hole - 12
- 3) MH Step ML-10-TDS-NCR - 10"

0 lb
 1561 lb
 4966 lb
 510 lb
 0 lb
 0 lb
 0 lb
 0 lb
 0 lb

 Structure Total: 7037 lb

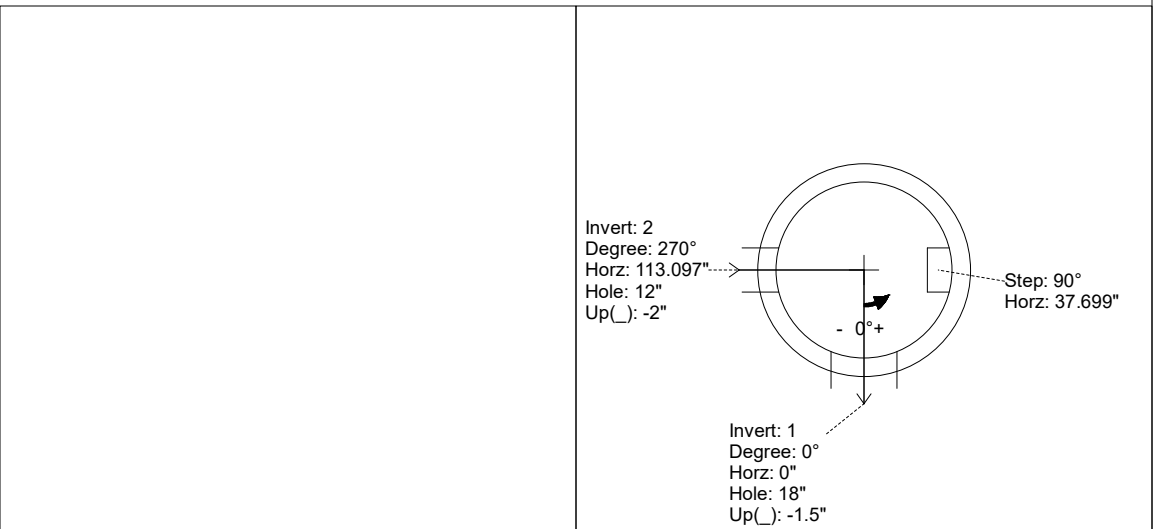
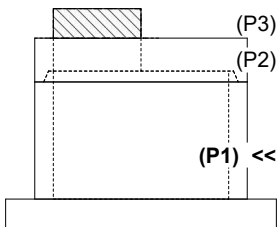
- Structure Notes:
 STATION: 2+69 STORM LN D
1. PER KYTC MH B / ASTM C-478 SPECS
 2. CONCRETE: 5,000 PSI AT 28 DAYS
 3. REINFORCEMENT: PER ASTM A615
 4. STORM INVERT BY OTHERS
 5. STEPS AT 90 DEGREES
 6. KY-510 FRAME & COVER SUPPLIED BY ICAST

Rim: 430.03' Rim to Invert: 4.61' Slack: 3.32' Sump: 0' Step Position: 90°

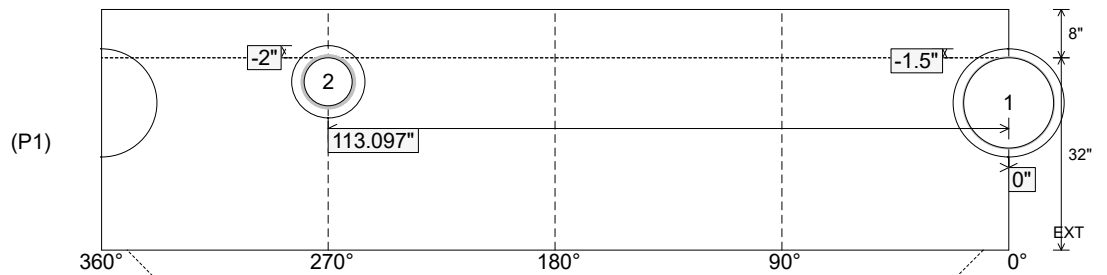
Position	Elev	Angle	Ext. (cw)	Pipe	Pipe OD	Connector	Hole	Horz Size	Up ()	Offset
Invert 1	425.42'	0°	0"	15" PVC SDR35	15.3"	Hole 18	18"	18.451"	-1.5"	0"
Invert 2	425.42'	270°	136.659"	8" ADS N-12	9.1"	Hole 12	12"	12.129"	-2"	0"
Invert 3										
Invert 4										
Invert 5										
Invert 6										
Invert 7										
Invert 8										

RIGHT-SIDE UP VIEW (int. dimensions)

UPSIDE-DOWN VIEW (int. dimensions)



INSIDE WALL DIMENSIONS



Coating (Int):
 Coating (Ext):

Seam Up: Tongue
 Seam Dn: n/a

Wall Thickness: 5"
 Floor Height: 8"

Height (Int): 32"
 Height (Ext): 40"

Weight (Net): 4966 lb
 Volume (Net): 1.27cu.yd