

Job Name: 24-1260 - Combined Sewer Separation Project Ph 3
 Job Location: Morganfield, KY 42437
 Contractor: Deig Bros Lumber & Construction Co, Inc.

Plant: Beaver Dam, KY
 11/5/2025 2:08:32 PM

Tech: K. Cardwell
 PC: J. Jarvis



Structure ID: STMH 15+32

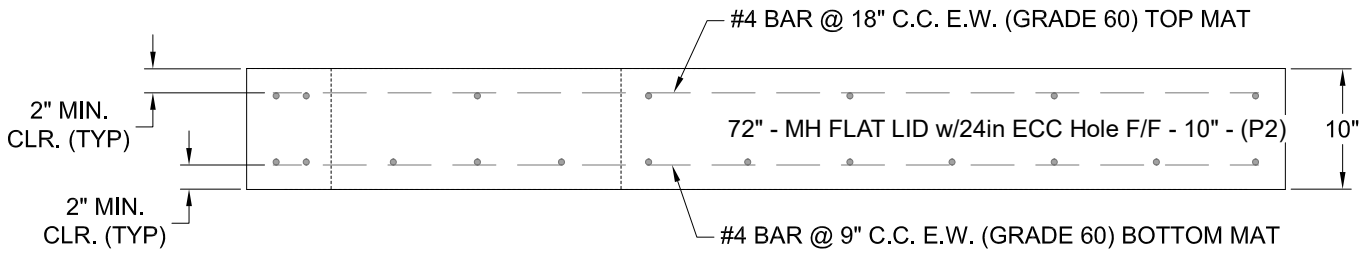
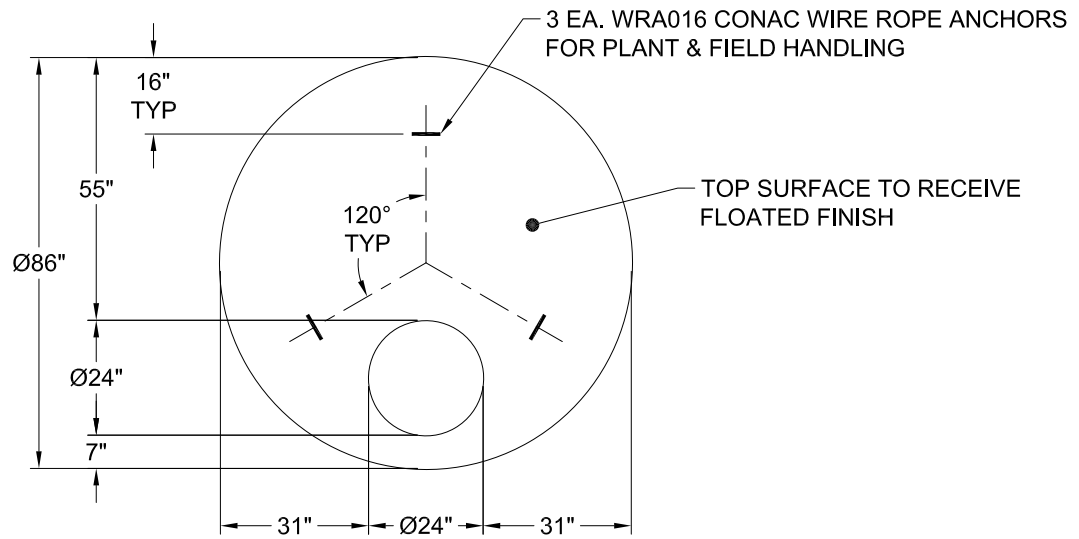
P2 MH072LD10-24ECC

MH FLAT LID w/24in ECC Hole F/F

- P3) 24" - CASTING HEIGHT - 7"
- P2) 72" - MH FLAT LID w/24in ECC Hole F/F - 10"
- P1) 72" - MH BASE w/FLANGE (08F/14EF) F/n - 68"
- 1) CASTING - HOE MCB-375-B F/Bar Grt
- 1) 72" - EXT. FLG (72ø MH)14"WD/8"THK
- 1) 72" - Conseal CS-102 1.00"
- 1) Hole - 58 x 42
- 1) Hole - 48
- 1) Hole - 18
- 5) MH Step ML-10-TDS-NCR - 10"

	0 lb
	4495 lb
	14199 lb
	250 lb
	0 lb
	0 lb
	0 lb
	0 lb
	0 lb
	0 lb
	0 lb
Structure Total:	18943 lb

- Structure Notes:
 STATION: 15+32
1. PER KYTC MH B / ASTM C-478 SPECS
 2. CONCRETE: 5,000 PSI AT 28 DAYS
 3. REINFORCEMENT - 2" MIN. REBAR CLEARANCE (TYP):
 - TOP MAT: #4 BAR @ 18" C.C. E.W. (GRADE 60)
 - BOTTOM MAT: #4 BAR @ 9" C.C. E.W. (GRADE 60)
 4. STORM INVERT BY OTHERS
 5. STEPS AT 210 DEGREES
 6. HOE MCB-375B FRAME & BAR GRATE SUPPLIED BY ICAST
 7. LIFTERS: 3 EA. WRA016 CONAC WIRE ROPE ANCHORS FOR PLANT & FIELD HANDLING



Coating (Int): Coating (Ext):	Seam Up: Flat Seam Dn: Flat	Wall Thickness: 7"	Height (Ext): 10"	Weight (Net): 4495 lb Volume (Net): 1.15cu.yd
----------------------------------	--------------------------------	--------------------	-------------------	--