

Job Name: 24-1260 - Combined Sewer Separation Project Ph 3
 Job Location: Morganfield, KY 42437
 Contractor: Deig Bros Lumber & Construction Co, Inc.

Plant: Beaver Dam, KY
 11/5/2025 2:05:05 PM

Tech: K. Cardwell
 PC: J. Jarvis



Structure ID: STMH 15+32

P1 MH072BAEVF

MH BASE w/FLANGE (08F/14EF) F/n

- P3) 24" - CASTING HEIGHT - 7"
- P2) 72" - MH FLAT LID w/24in ECC Hole F/F - 10"
- P1) 72" - MH BASE w/FLANGE (08F/14EF) F/n - 68"
- 1) CASTING - HOE MCB-375-B F/Bar Grt
- 1) 72" - EXT. FLG (72ø MH)14"WD/8"THK
- 1) 72" - Conseal CS-102 1.00"
- 1) Hole - 58 x 42
- 1) Hole - 48
- 1) Hole - 18
- 5) MH Step ML-10-TDS-NCR - 10"

0 lb
 4495 lb
 14199 lb
 250 lb
 0 lb
 0 lb
 0 lb
 0 lb
 0 lb
 0 lb
 0 lb
 Structure Total: 18943 lb

- Structure Notes:
 STATION: 15+32
1. PER KYTC MH B / ASTM C-478 SPECS
 2. CONCRETE: 5,000 PSI AT 28 DAYS
 3. REINFORCEMENT: PER ASTM A615
 4. STORM INVERT BY OTHERS
 5. STEPS AT 210 DEGREES
 6. HOE MCB-375B FRAME & BAR GRATE SUPPLIED BY ICAST

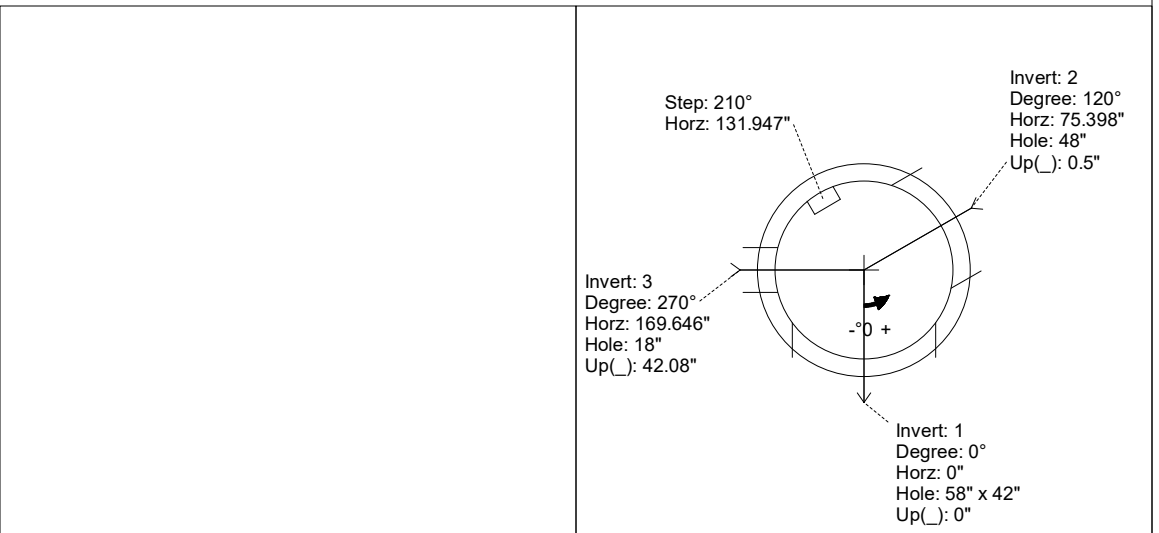
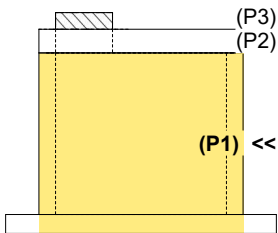
FIRST POUR (BASE): 11,246 LBS
EXTENDED FLANGE POUR: 2,953 LBS

Rim: 425.62' Rim to Invert: 6.84' Slack: 3.58" Sump: 6.5" Step Position: 210

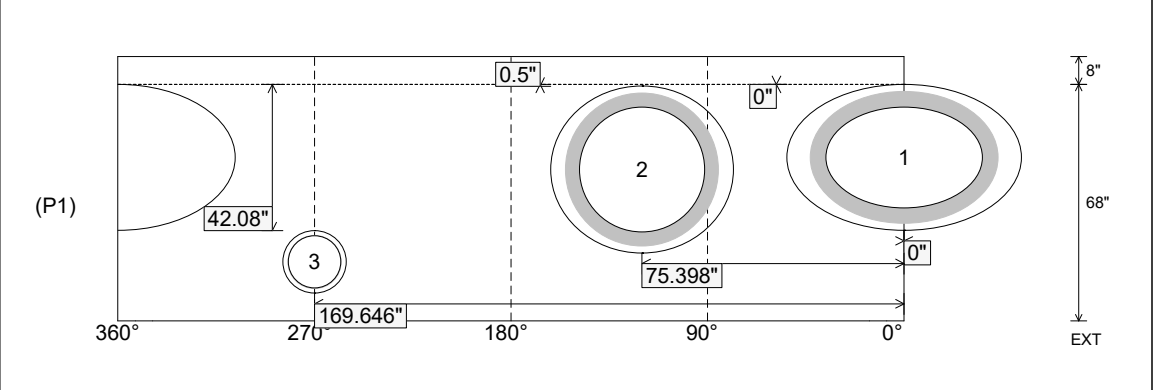
Position	Elev	Angle	Ext. (cw)	Pipe	Pipe OD	Connector	Hole	Horz Size	Up ()	Offset
Invert 1	418.78'	0°	0"	45" x 29" ELL RCP	54" x 38"	Hole 58 x 42	58" x 42"	67.436"	0"	0"
Invert 2	418.78'	120°	90.059"	36" RCP B WALL	44"	Hole 48	48"	52.54"	0.5"	0"
Invert 3	421.87'	270°	202.633"	15" PVC SDR35	15.3"	Hole 18	18"	18.193"	42.08"	0"
Invert 4										
Invert 5										
Invert 6										
Invert 7										
Invert 8										

RIGHT-SIDE UP VIEW (int. dimensions)

UPSIDE-DOWN VIEW (int. dimensions)



INSIDE WALL DIMENSIONS



Coating (Int): Coating (Ext):	Seam Up: Flat Seam Dn: n/a	Wall Thickness: 7" Floor Height: 8"	Height (Int): 68" Height (Ext): 76"	Weight (Net): 14199 lb Volume (Net): 3.63cu.yd
----------------------------------	-------------------------------	----------------------------------------	----------------------------------------	---------------------------------------------------

Job Name: 24-1260 - Combined Sewer Separation Project Ph 3
 Job Location: Morganfield, KY 42437
 Contractor: Deig Bros Lumber & Construction Co, Inc.

Plant: Beaver Dam, KY
 11/5/2025 2:05:05 PM

Tech: K. Cardwell
 PC: J. Jarvis



Structure ID: STMH 15+32

P1 MH072BAEVF

MH BASE w/FLANGE (08F/14EF) F/n

- P3) 24" - CASTING HEIGHT - 7"
- P2) 72" - MH FLAT LID w/24in ECC Hole F/F - 10"
- P1) 72" - MH BASE w/FLANGE (08F/14EF) F/n - 68"
- 1) CASTING - HOE MCB-375-B F/Bar Grt
- 1) 72" - EXT. FLG (72ø MH)14"WD/8"THK
- 1) 72" - Conseal CS-102 1.00"
- 1) Hole - 58 x 42
- 1) Hole - 48
- 1) Hole - 18
- 5) MH Step ML-10-TDS-NCR - 10"

0 lb
 4495 lb
 14199 lb
 250 lb
 0 lb
 0 lb
 0 lb
 0 lb
 0 lb
 0 lb
 0 lb
 Structure Total: 18943 lb

- Structure Notes:**
 STATION: 15+32
1. PER KYTC MH B / ASTM C-478 SPECS
 2. CONCRETE: 5,000 PSI AT 28 DAYS
 3. REINFORCEMENT: DRILL & DOWEL #5 BAR @ 8" C.C. E.W. (GRADE 60) FOR FLANGE POUR TIE-IN - MIN. 4" PENETRATION INTO BASE FLOOR & 2" MIN. REBAR CLEARANCE (TYP)
 4. STORM INVERT BY OTHERS
 5. STEPS AT 210 DEGREES
 6. HOE MCB-375B FRAME & BAR GRATE SUPPLIED BY ICAST

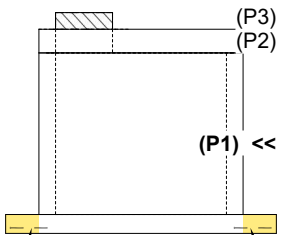
FIRST POUR (BASE): 11,246 LBS
EXTENDED FLANGE POUR: 2,953 LBS

Rim: 425.62' Rim to Invert: 6.84' Slack: 3.58" Sump: 6.5" Step Position: 210

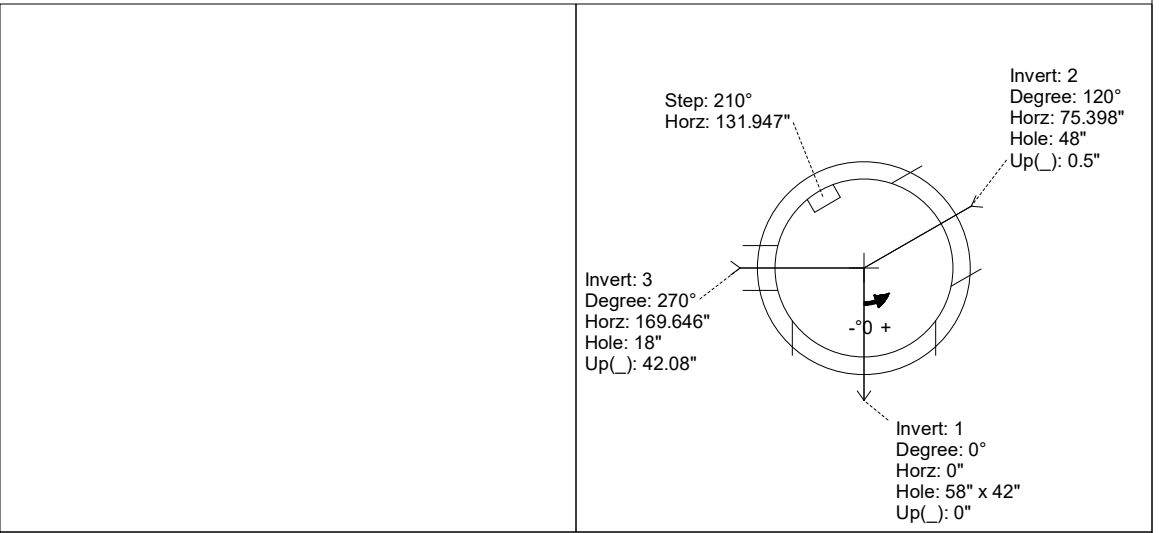
Position	Elev	Angle	Ext. (cw)	Pipe	Pipe OD	Connector	Hole	Horz Size	Up ()	Offset
Invert 1	418.78'	0°	0"	45" x 29" ELL RCP	54" x 38"	Hole 58 x 42	58" x 42"	67.436"	0"	0"
Invert 2	418.78'	120°	90.059"	36" RCP B WALL	44"	Hole 48	48"	52.54"	0.5"	0"
Invert 3	421.87'	270°	202.633"	15" PVC SDR35	15.3"	Hole 18	18"	18.193"	42.08"	0"
Invert 4										
Invert 5										
Invert 6										
Invert 7										
Invert 8										

RIGHT-SIDE UP VIEW (int. dimensions)

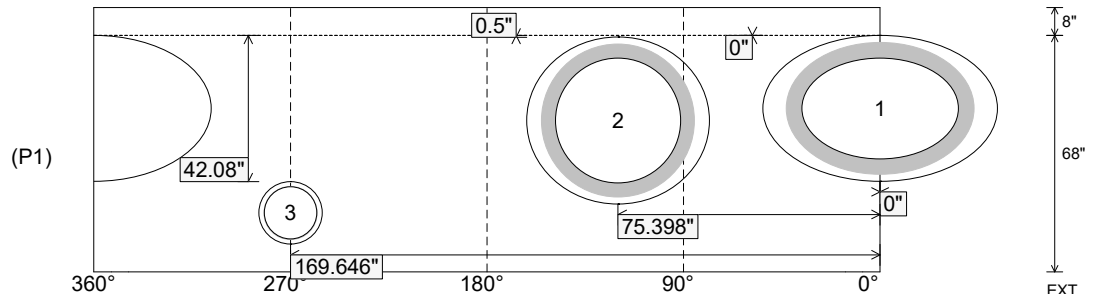
UPSIDE-DOWN VIEW (int. dimensions)



DRILL & DOWEL #5 BAR @ 8" C.C. E.W. (GRADE 60) FOR FLANGE POUR TIE-IN - MIN. 4" PENETRATION INTO BASE FLOOR & 2" MIN. REBAR CLEARANCE (TYP)



INSIDE WALL DIMENSIONS



Coating (Int):
 Coating (Ext):

Seam Up: Flat
 Seam Dn: n/a

Wall Thickness: 7"
 Floor Height: 8"

Height (Int): 68"
 Height (Ext): 76"

Weight (Net): 14199 lb
 Volume (Net): 3.63cu.yd