

Job Name: 24-1260 - Combined Sewer Separation Project Ph 3
 Job Location: Morganfield, KY 42437
 Contractor: Deig Bros Lumber & Construction Co, Inc.

Plant: Beaver Dam, KY
 11/5/2025 2:04:58 PM

Tech: K. Cardwell
 PC: J. Jarvis



Structure ID: STMH 14+02

P1 MH072BAEVF

MH BASE w/FLANGE (08F/14EF) T/n

- P4) 24" - CASTING HEIGHT - 8"
- P3) 72" - MH FLAT LID w/24in ECC Hole F/F - 10"
- P2) 72" - MH RISER Custom Ht F/G - 39"
- P1) 72" - MH BASE w/FLANGE (08F/14EF) T/n - 58"
- 1) 72" - EXT. FLG (72ø MH)14"WD/8"THK
- 1) CASTING - HOE KY-510 F/C (KY TY.2)
- 2) 72" - Conseal CS-102 1.00"
- 2) Hole - 48
- 1) Hole - 18
- 4) MH Step ML-10-TDS-NCR - 10"

0 lb
 4495 lb
 5535 lb
 13016 lb
 0 lb
 510 lb
 0 lb
 0 lb
 0 lb
 0 lb
 0 lb
 Structure Total: 23555 lb

Structure Notes:
 STATION: 14+02 STORM LN A
 1. PER KYTC MH B / ASTM C-478 SPECS
 2. CONCRETE: 5,000 PSI AT 28 DAYS
 3. REINFORCEMENT: PER ASTM A615
 4. STORM INVERT BY OTHERS
 5. STEPS AT 90 DEGREES
 6. KY-510 FRAME & COVER SUPPLIED BY ICAST

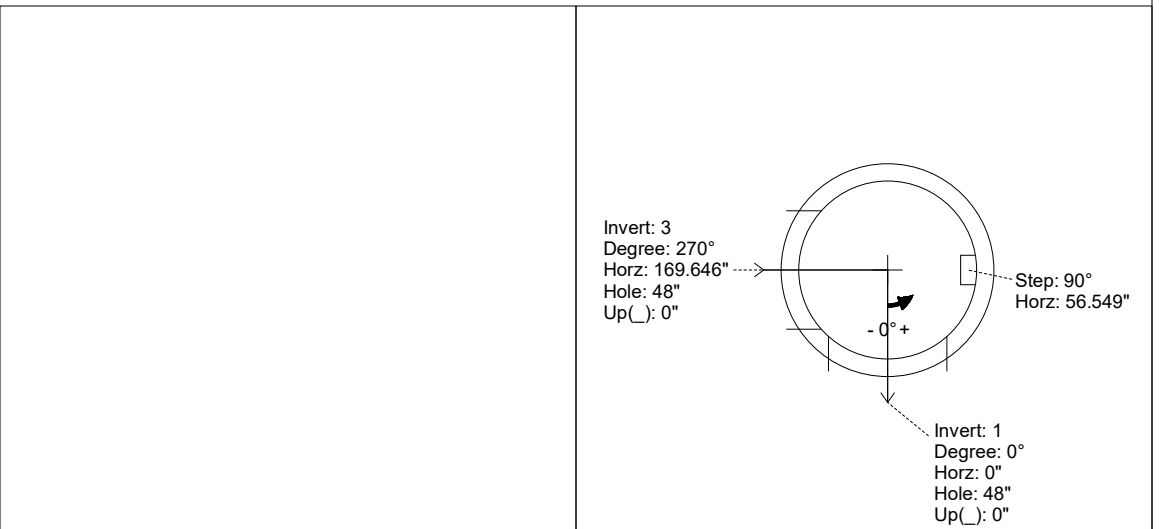
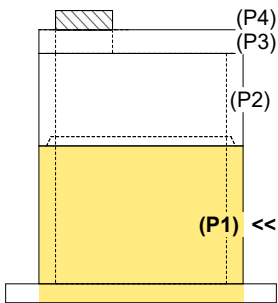
FIRST POUR (BASE): 10,063 LBS
EXTENDED FLANGE POUR: 2,953 LBS

Rim: 426.88' Rim to Invert: 9.34' Slack: 3.08" Sump: 6" Step Position: 90°

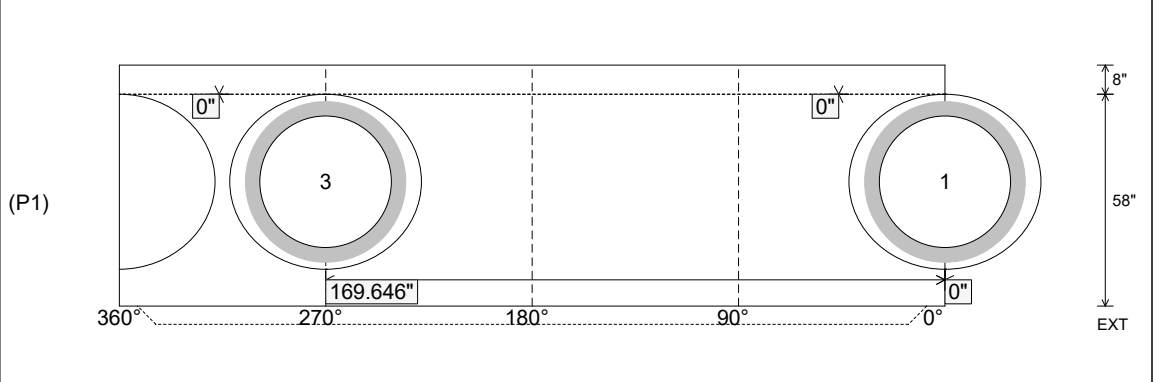
Position	Elev	Angle	Ext. (cw)	Pipe	Pipe OD	Connector	Hole	Horz Size	Up ()	Offset
Invert 1	417.54'	0°	0"	36" RCP B WALL	44"	Hole 48	48"	52.54"	0"	0"
Invert 2										
Invert 3	417.54'	270°	202.633"	36" RCP B WALL	44"	Hole 48	48"	52.54"	0"	0"
Invert 4										
Invert 5										
Invert 6										
Invert 7										
Invert 8										

RIGHT-SIDE UP VIEW (int. dimensions)

UPSIDE-DOWN VIEW (int. dimensions)



INSIDE WALL DIMENSIONS



Coating (Int): Coating (Ext):	Seam Up: Tongue Seam Dn: n/a	Wall Thickness: 7" Floor Height: 8"	Height (Int): 58" Height (Ext): 66"	Weight (Net): 13016 lb Volume (Net): 3.32cu.yd
----------------------------------	---------------------------------	--	--	---

Job Name: 24-1260 - Combined Sewer Separation Project Ph 3
 Job Location: Morganfield, KY 42437
 Contractor: Deig Bros Lumber & Construction Co, Inc.

Plant: Beaver Dam, KY
 11/5/2025 2:04:58 PM

Tech: K. Cardwell
 PC: J. Jarvis



Structure ID: STMH 14+02

P1 MH072BAEVF

MH BASE w/FLANGE (08F/14EF) T/n

- P4) 24" - CASTING HEIGHT - 8"
- P3) 72" - MH FLAT LID w/24in ECC Hole F/F - 10"
- P2) 72" - MH RISER Custom Ht F/G - 39"
- P1) 72" - MH BASE w/FLANGE (08F/14EF) T/n - 58"
- 1) 72" - EXT. FLG (72ø MH)14"WD/8"THK
- 1) CASTING - HOE KY-510 F/C (KY TY.2)
- 2) 72" - Conseal CS-102 1.00"
- 2) Hole - 48
- 1) Hole - 18
- 4) MH Step ML-10-TDS-NCR - 10"

0 lb
 4495 lb
 5535 lb
 13016 lb
 0 lb
 510 lb
 0 lb
 0 lb
 0 lb
 0 lb

 Structure Total: 23555 lb

- Structure Notes:**
 STATION: 14+02 STORM LN A
1. PER KYTC MH B / ASTM C-478 SPECS
 2. CONCRETE: 5,000 PSI AT 28 DAYS
 3. REINFORCEMENT: DRILL & DOWEL #5 BAR @ 8" C.C. E.W. (GRADE 60) FOR FLANGE POUR TIE-IN - MIN. 4" PENETRATION INTO BASE FLOOR & 2" MIN. REBAR CLEARANCE (TYP)
 4. STORM INVERT BY OTHERS
 5. STEPS AT 90 DEGREES
 6. KY-510 FRAME & COVER SUPPLIED BY ICAST

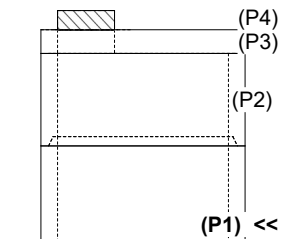
FIRST POUR (BASE): 10,063 LBS
EXTENDED FLANGE POUR: 2,953 LBS

Rim: 426.88' Rim to Invert: 9.34' Slack: 3.08" Sump: 6" Step Position: 90°

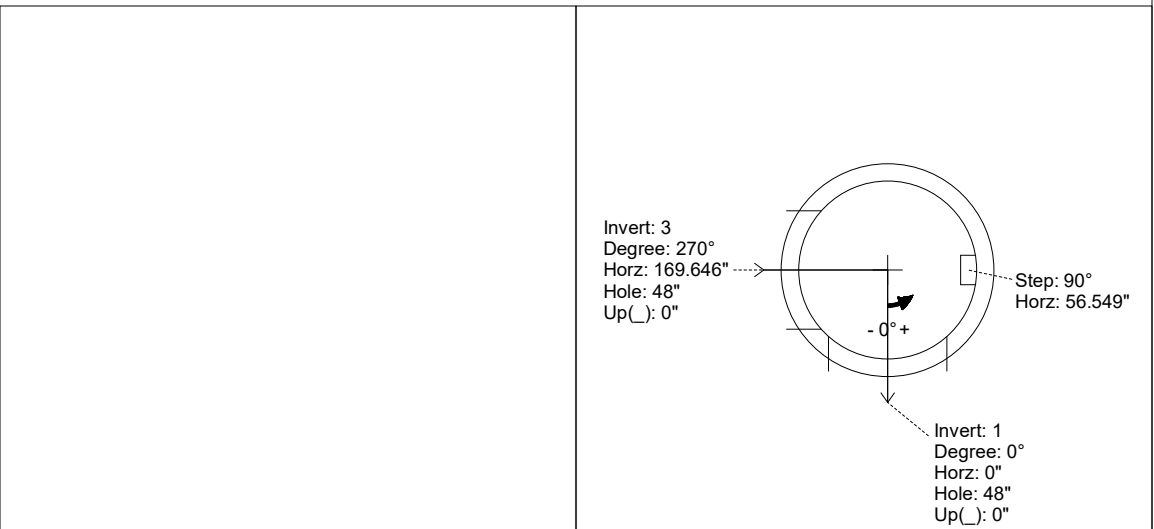
Position	Elev	Angle	Ext. (cw)	Pipe	Pipe OD	Connector	Hole	Horz Size	Up ()	Offset
Invert 1	417.54'	0°	0"	36" RCP B WALL	44"	Hole 48	48"	52.54"	0"	0"
Invert 2										
Invert 3	417.54'	270°	202.633"	36" RCP B WALL	44"	Hole 48	48"	52.54"	0"	0"
Invert 4										
Invert 5										
Invert 6										
Invert 7										
Invert 8										

RIGHT-SIDE UP VIEW (int. dimensions)

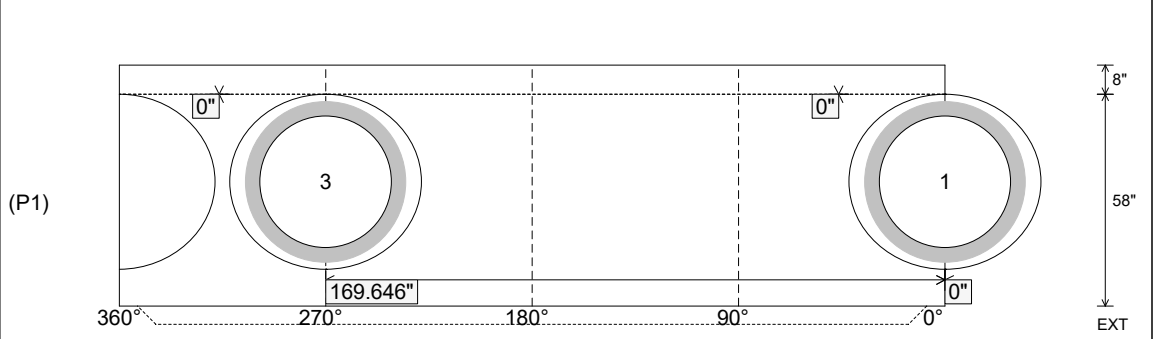
UPSIDE-DOWN VIEW (int. dimensions)



DRILL & DOWEL #5 BAR @ 8" C.C. E.W. (GRADE 60) FOR FLANGE POUR TIE-IN - MIN. 4" PENETRATION INTO BASE FLOOR & 2" MIN. REBAR CLEARANCE (TYP)



INSIDE WALL DIMENSIONS



Coating (Int): Coating (Ext):	Seam Up: Tongue Seam Dn: n/a	Wall Thickness: 7" Floor Height: 8"	Height (Int): 58" Height (Ext): 66"	Weight (Net): 13016 lb Volume (Net): 3.32cu.yd
----------------------------------	---------------------------------	--	--	---