

Job Name: 24-1260 - Combined Sewer Separation Project Ph 3
Job Location: Morganfield, KY 42437
Contractor: Deig Bros Lumber & Construction Co, Inc.

PC: J. Jarvis
 TECH: K. Cardwell
 Plant: Beaver Dam, KY



Structure ID: **STMH 11+12**
 Spec: KYTC
 Type: MH B
 Size: 60"

Rim: 424.3'
 Invert: 415.23'
 Rim to Invert: 9.07'

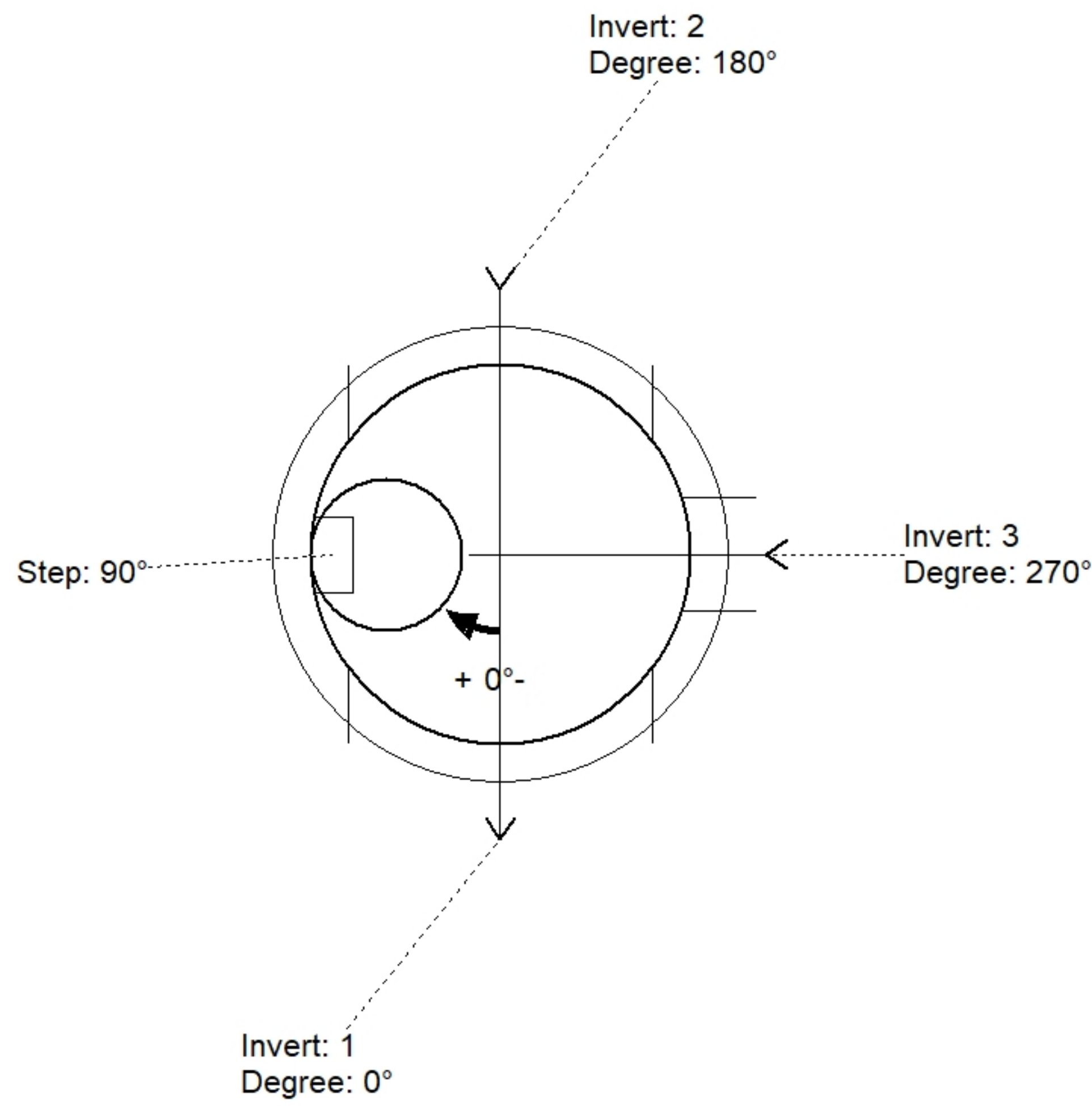
Sump: 0"
 Floor (Top): 414.73'
 Floor Height: 8"

Floor (Bot): 414.063'
 Overall Height: 9.917'
 Slack: 3.84"

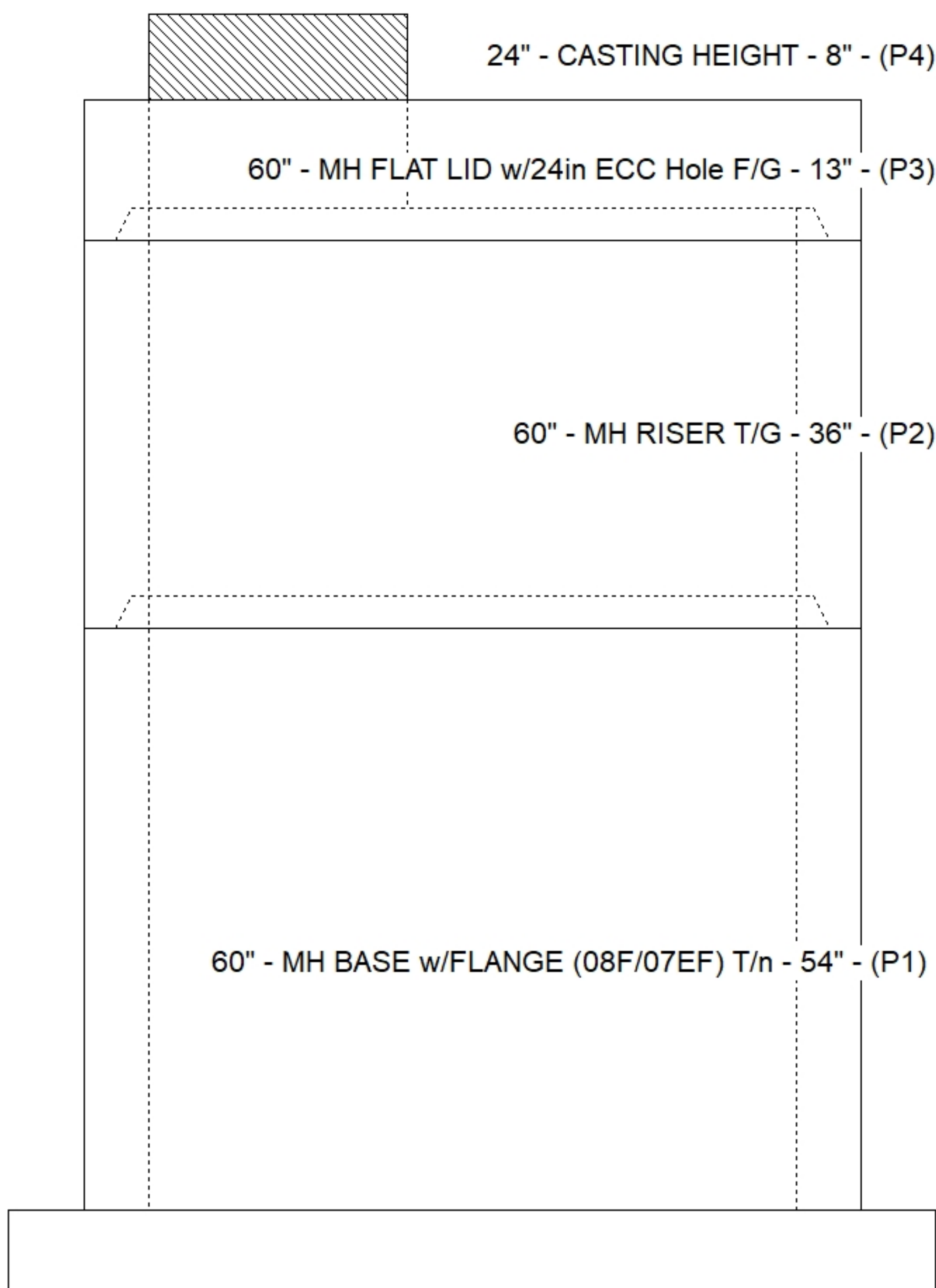
- Structure Notes:**
 STATION: 11+12 STORM LN A
 1. PER KYTC MH B / ASTM C-913 SPECS
 2. CONCRETE: 5,000 PSI AT 28 DAYS
 3. REINFORCEMENT:
 - FLAT LID: #5 BAR @ 6" C.C. E.W. (GRADE 60)
 - BASE & RISER: PER ASTM A615
 4. STORM INVERT BY OTHERS
 5. STEPS AT 90 DEGREES
 6. KY-510 FRAME & COVER SUPPLIED BY ICAST

STRUCTURE SUMMARY:

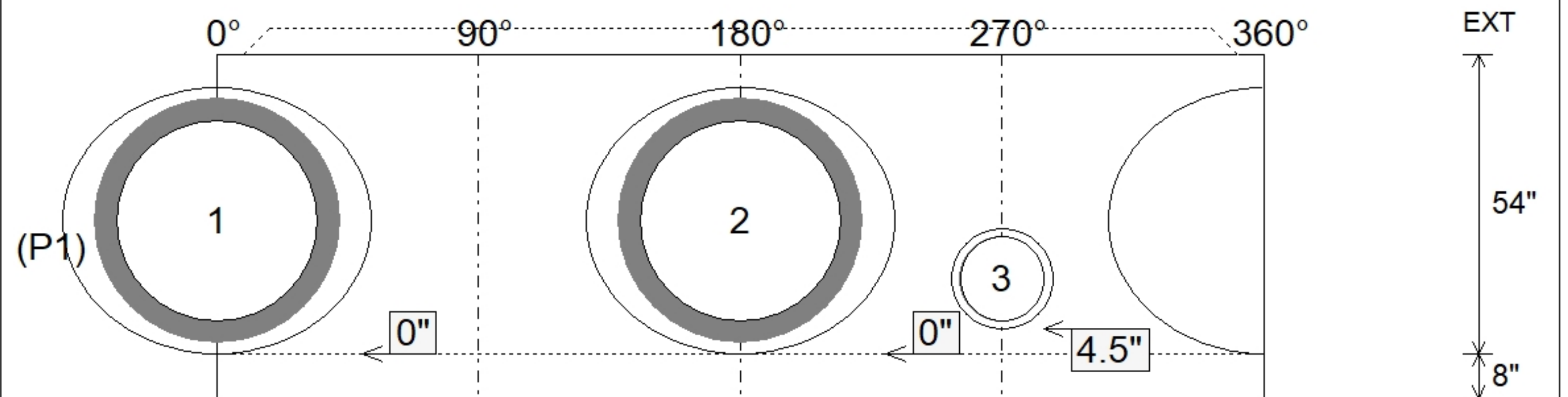
P4) 24" - CASTING HEIGHT - 8"	0 lb
P3) 60" - MH FLAT LID w/24in ECC Hole F/G - 13"	2800 lb
P2) 60" - MH RISER T/G - 36"	3758 lb
P1) 60" - MH BASE w/FLANGE (08F/07EF) T/n - 54"	7354 lb
1) 60" - EXT. FLG (60ø MH) 7"WD/8"THK	0 lb
1) CASTING - HOE KY-510 F/C (KY TY.2)	510 lb
2) 60" - Conseal CS-102 1.00"	0 lb
2) Hole - 48	0 lb
1) Hole - 18	0 lb
7) MH Step ML-10-TDS-NCR - 10"	0 lb
Structure Total:	14422 lb



Position	Elev	Angle	Pipe	Pipe OD	Hole	Connector	Up ()	Ref
Rim	424.3'							
Reducer								
Invert 1	415.23'	0°	36" RCP B WALL	44"	48"	Hole 48	0"	P1
Invert 2	415.23'	180°	36" RCP B WALL	44"	48"	Hole 48	0"	P1
Invert 3	415.23'	270°	15" PVC SDR35	15.3"	18"	Hole 18	4.5"	P1
Invert 4								
Invert 5								
Invert 6								
Invert 7								
Invert 8								



Cast (Int. Dim.) - Interior Dimensions



Submittal Drawing
 10/13/2025 12:53:07 PM

SUBMITTAL
 APPROVED BY: