

Job Name: 24-1260 - Combined Sewer Separation Project Ph 3
Job Location: Morganfield, KY 42437
Contractor: Deig Bros Lumber & Construction Co, Inc.

PC: J. Jarvis
 TECH: K. Cardwell
 Plant: Beaver Dam, KY



Structure ID: **STMH 1+72**
 Spec: KYTC
 Type: MH B (pipe recessed)
 Size: 48"

Rim: 424.32'
 Invert: 420.39'
 Rim to Invert: 3.93'

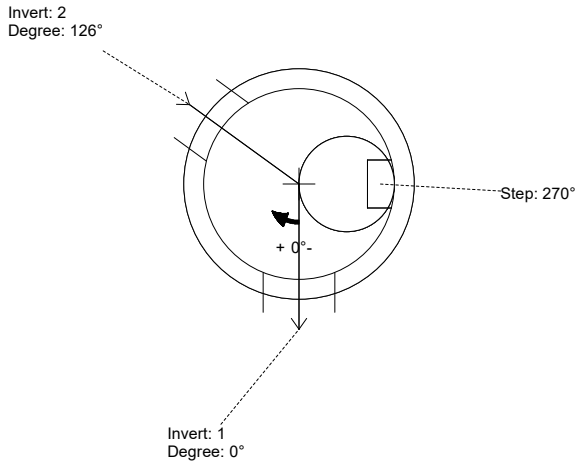
Sump: 0"
 Floor (Top): 420.39'
 Floor Height: 8"

Floor (Bot): 419.723'
 Overall Height: 4.333'
 Slack: 3.16"

Structure Notes:
 STATION: 1+72 STORM LN F
 1. PER KYTC MH B / ASTM C-478 SPECS
 2. CONCRETE: 5,000 PSI AT 28 DAYS
 3. REINFORCEMENT:
 - FLAT LID: #4 BAR @ 10" C.C. E.W. (GRADE 60)
 - BASE: PER ASTM A615
 4. STORM INVERT BY OTHERS
 5. STEPS AT 270 DEGREES
 6. KY-510 FRAME & COVER SUPPLIED BY ICAST

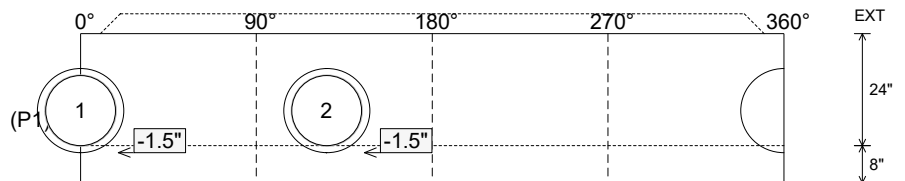
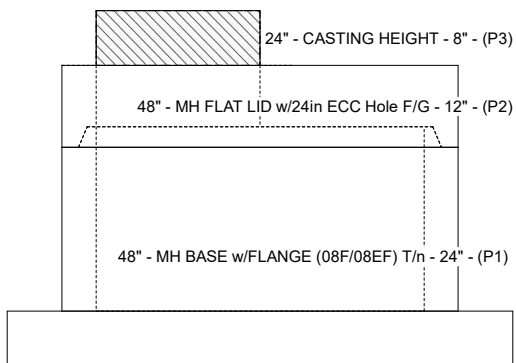
STRUCTURE SUMMARY:

P3) 24" - CASTING HEIGHT - 8"	0 lb
P2) 48" - MH FLAT LID w/24in ECC Hole F/G - 12"	1561 lb
P1) 48" - MH BASE w/FLANGE (08F/08EF) T/n - 24"	4346 lb
1) CASTING - HOE KY-510 F/C (KY TY.2)	510 lb
1) 48" - Conseal CS-102 1.00"	0 lb
2) Hole - 18	0 lb
2) MH Step ML-10-TDS-NCR - 10"	0 lb
Structure Total:	6417 lb



Position	Elev	Angle	Pipe	Pipe OD	Hole	Connector	Up (")	Ref
Rim	424.32'							
Reducer								
Invert 1	420.39'	0°	15" PVC SDR35	15.3"	18"	Hole 18	-1.5"	P1
Invert 2	420.39'	126°	15" PVC SDR35	15.3"	18"	Hole 18	-1.5"	P1
Invert 3								
Invert 4								
Invert 5								
Invert 6								
Invert 7								
Invert 8								

Cast (Int. Dim.) - Interior Dimensions



Submittal Drawing
 12/18/2025 9:24:33 AM

SUBMITTAL
 APPROVED BY: