

Job Name: 24-1260 - Combined Sewer Separation Project Ph 3  
 Job Location: Morganfield, KY 42437  
 Contractor: Deig Bros Lumber & Construction Co, Inc.

Plant: Beaver Dam, KY

Tech: K. Cardwell

12/18/2025 9:46:46 AM

PC: J. Jarvis



**Structure ID: STMH 1+72**

**P1 MH048BAEVF**

**MH BASE w/FLANGE (08F/08EF) T/n**

- P3) 24" - CASTING HEIGHT - 8"
- P2) 48" - MH FLAT LID w/24in ECC Hole F/G - 12"
- P1) 48" - MH BASE w/FLANGE (08F/08EF) T/n - 24"
- 1) CASTING - HOE KY-510 F/C (KY TY.2)
- 1) 48" - Conseal CS-102 1.00"
- 2) Hole - 18
- 2) MH Step ML-10-TDS-NCR - 10"

0 lb  
 1561 lb  
 4346 lb  
 510 lb  
 0 lb  
 0 lb  
 0 lb  
 -----  
 6417 lb

Structure Total: 6417 lb

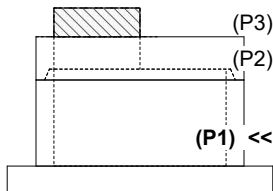
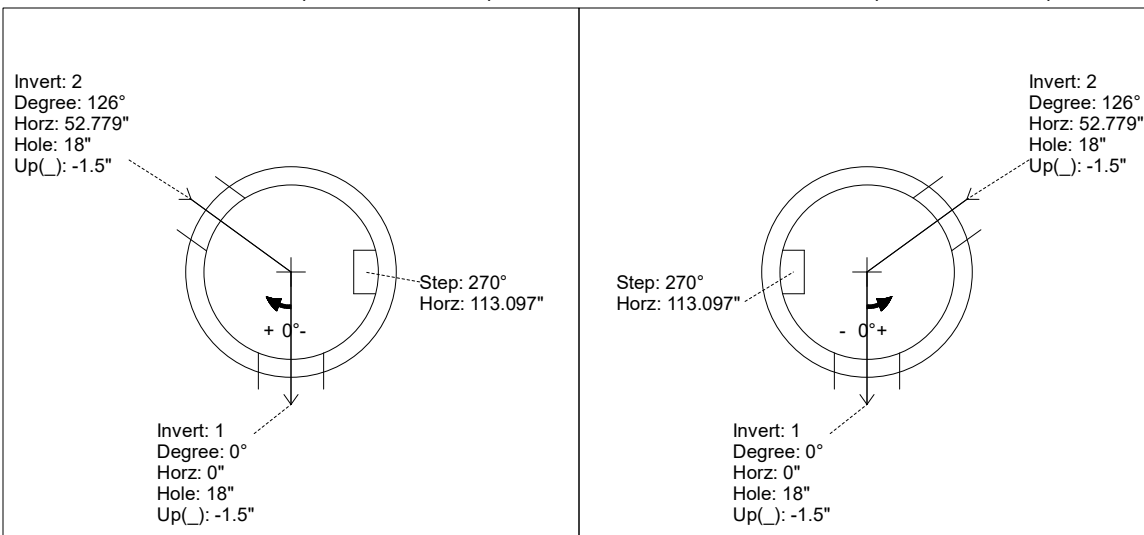
- Structure Notes:**  
 STATION: 1+72 STORM LN F
1. PER KYTC MH B / ASTM C-478 SPECS
  2. CONCRETE: 5,000 PSI AT 28 DAYS
  3. REINFORCEMENT: PER ASTM A615
  4. STORM INVERT BY OTHERS
  5. STEPS AT 270 DEGREES
  6. KY-510 FRAME & COVER SUPPLIED BY ICAST

Rim: 424.32' Rim to Invert: 3.93' Slack: 3.16" Sump: 0" Step Position: 270

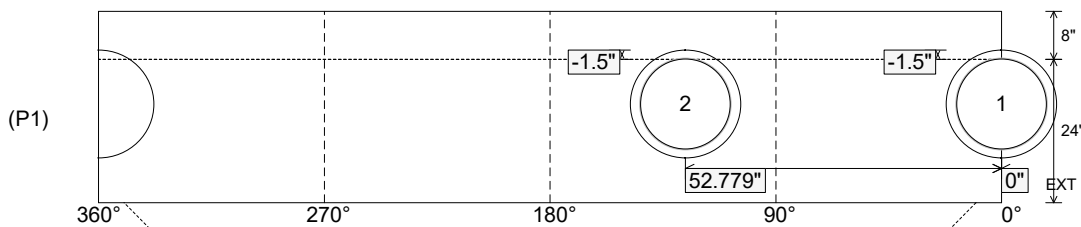
Position	Elev	Angle	Ext. (cw)	Pipe	Pipe OD	Connector	Hole	Horz Size	Up ( )	Offset
Invert 1	420.39'	0°	0"	15" PVC SDR35	15.3"	Hole 18	18"	18.451"	-1.5"	0"
Invert 2	420.39'	126°	63.774"	15" PVC SDR35	15.3"	Hole 18	18"	18.451"	-1.5"	0"
Invert 3										
Invert 4										
Invert 5										
Invert 6										
Invert 7										
Invert 8										

RIGHT-SIDE UP VIEW (int. dimensions)

UPSIDE-DOWN VIEW (int. dimensions)



INSIDE WALL DIMENSIONS



Coating (Int):  
 Coating (Ext):

Seam Up: Tongue  
 Seam Dn: n/a

Wall Thickness: 5"  
 Floor Height: 8"

Height (Int): 24"  
 Height (Ext): 32"

Weight (Net): 4346 lb  
 Volume (Net): 1.11cu.yd