

Job Name: 24-1260 - Combined Sewer Separation Project Ph 3
Job Location: Morganfield, KY 42437
Contractor: Deig Bros Lumber & Construction Co, Inc.

PC: J. Jarvis
 TECH: K. Cardwell
 Plant: Beaver Dam, KY



Structure ID: **STMH 0+90**
 Spec: KYTC
 Type: MH B
 Size: 48"

Rim: 415.28'
 Invert: 411.4'
 Rim to Invert: 3.88'

Sump: 5"
 Floor (Top): 410.983'
 Floor Height: 8"

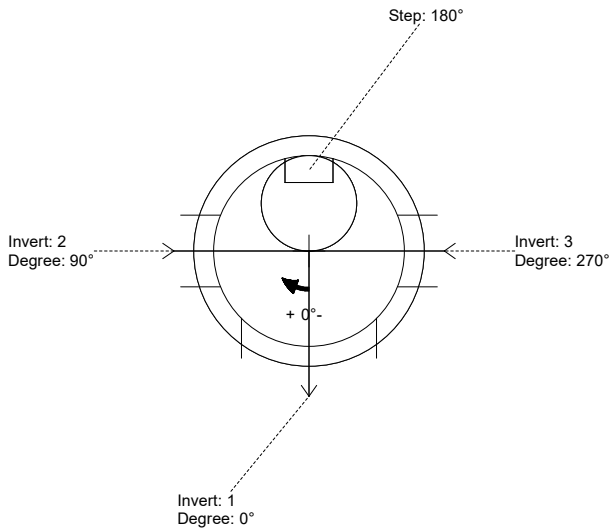
Floor (Bot): 410.317'
 Overall Height: 4.917'
 Slack: 0.56"

Structure Notes:
 STATION: 0+90 STORM LN B
 1. PER KYTC MH B / ASTM C-478 SPECS
 2. CONCRETE: 5,000 PSI AT 28 DAYS
 3. REINFORCEMENT:
 - FLAT LID: #4 BAR @ 10" C.C. E.W. (GRADE 60)
 - BASE: PER ASTM A615
 4. STORM INVERT BY OTHERS
 5. STEPS AT 180 DEGREES
 6. KY-510 FRAME & COVER SUPPLIED BY ICAST

STRUCTURE SUMMARY:

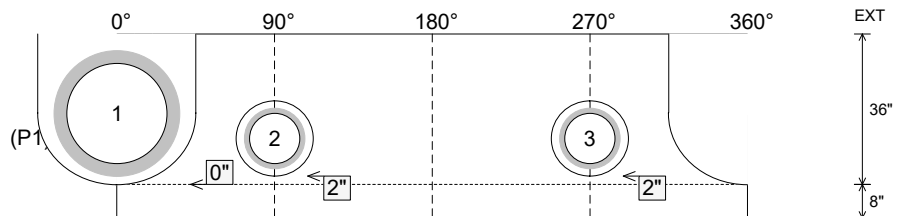
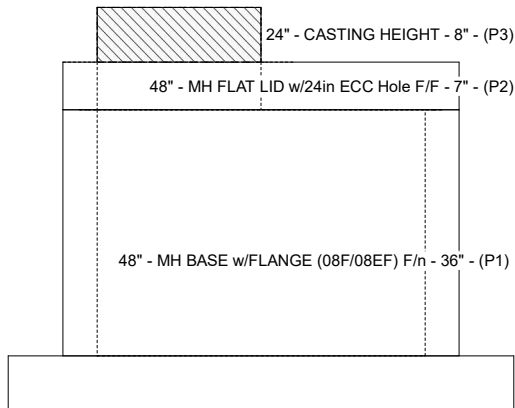
P3) 24" - CASTING HEIGHT - 8" 0 lb
 P2) 48" - MH FLAT LID w/24in ECC Hole F/F - 7" 1286 lb
 P1) 48" - MH BASE w/FLANGE (08F/08EF) F/n - 36" 4681 lb
 1) CASTING - HOE KY-510 F/C (KY TY.2) 510 lb
 1) 48" - Conseal CS-102 1.00" 0 lb
 1) DOGHOUSE INVRTD - 34"x36" 0 lb
 2) Hole - 18 0 lb
 3) MH Step ML-10-TDS-NCR - 10" 0 lb

Structure Total: 6477 lb



Position	Elev	Angle	Pipe	Pipe OD	Hole	Connector	Up ()	Ref
Rim	415.28'							
Reducer								
Invert 1	411.4'	0°	24" RCP B WALL	30"	34" x 34"	DOGHOUSE INVRTD 34"x36"	0"	P1
Invert 2	411.4'	90°	12" ADS N-12	14.5"	18"	Hole 18	2"	P1
Invert 3	411.4'	270°	12" ADS N-12	14.5"	18"	Hole 18	2"	P1
Invert 4								
Invert 5								
Invert 6								
Invert 7								
Invert 8								

Cast (Int. Dim.) - Interior Dimensions



Submittal Drawing
 12/11/2025 6:29:44 AM

SUBMITTAL
 APPROVED BY: