

Job Name: 24-1260 - Combined Sewer Separation Project Ph 3
 Job Location: Morganfield, KY 42437
 Contractor: Deig Bros Lumber & Construction Co, Inc.

Plant: Beaver Dam, KY

Tech: K. Cardwell

12/1/2025 6:36:03 AM

PC: J. Jarvis



Structure ID: STMH 0+90

P2 MH048LD07ECC

MH FLAT LID w/24in ECC Hole F/F

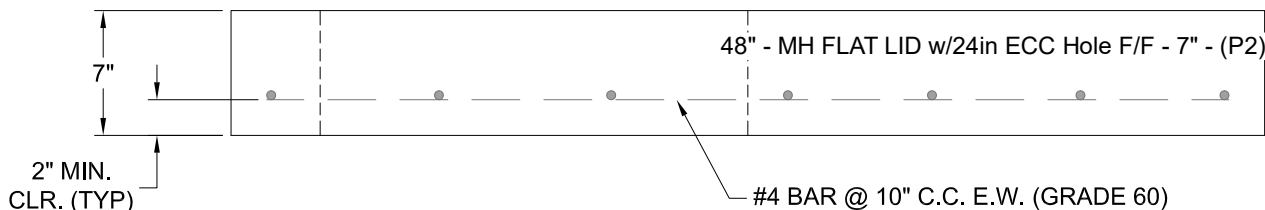
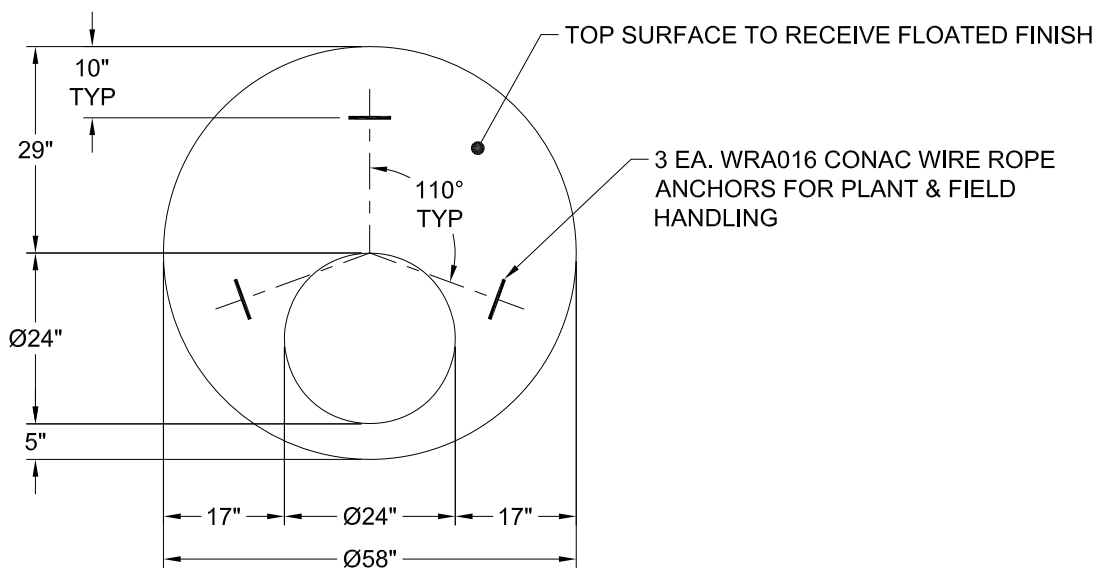
- P3) 24" - CASTING HEIGHT - 8"
- P2) 48" - MH FLAT LID w/24in ECC Hole F/F - 7"
- P1) 48" - MH BASE w/FLANGE (08F/08EF) F/n - 36"
- 1) CASTING - HOE KY-510 F/C (KY TY.2)
- 1) 48" - Conseal CS-102 1.00"
- 1) DOGHOUSE INVRTD - 34"x36"
- 2) Hole - 18
- 3) MH Step ML-10-TDS-NCR - 10"

0 lb
 1286 lb
 4681 lb
 510 lb
 0 lb
 0 lb
 0 lb
 0 lb
 0 lb

 6477 lb

Structure Total:

- Structure Notes:
 STATION: 0+90 STORM LN B
1. PER KYTC MH B / ASTM C-478 SPECS
 2. CONCRETE: 5,000 PSI AT 28 DAYS
 3. REINFORCEMENT: #4 BAR @ 10" C.C. E.W. (GRADE 60) - 2" MIN. REBAR CLEARANCE (TYP)
 4. STORM INVERT BY OTHERS
 5. STEPS AT 180 DEGREES
 6. KY-510 FRAME & COVER SUPPLIED BY ICAST
 7. LIFTERS: 3 EA. WRA016 CONAC WIRE ROPE ANCHORS FOR PLANT & FIELD HANDLING



Coating (Int):
 Coating (Ext):

Seam Up: Flat
 Seam Dn: Flat

Wall Thickness: 5"

Height (Ext): 7"

Weight (Net): 1286 lb
 Volume (Net): 0.33cu.yd