

Job Name: 24-1260 - Combined Sewer Separation Project Ph 3
 Job Location: Morganfield, KY 42437
 Contractor: Deig Bros Lumber & Construction Co, Inc.

Plant: Beaver Dam, KY
 12/1/2025 6:35:06 AM

Tech: K. Cardwell
 PC: J. Jarvis



Structure ID: STMH 0+90

P1 MH048BAEVF

MH BASE w/FLANGE (08F/08EF) F/n

- P3) 24" - CASTING HEIGHT - 8"
- P2) 48" - MH FLAT LID w/24in ECC Hole F/F - 7"
- P1) 48" - MH BASE w/FLANGE (08F/08EF) F/n - 36"
- 1) CASTING - HOE KY-510 F/C (KY TY.2)
- 1) 48" - Conseal CS-102 1.00"
- 1) DOGHOUSE INVRTD - 34"x36"
- 2) Hole - 18
- 3) MH Step ML-10-TDS-NCR - 10"

0 lb
 1286 lb
 4681 lb
 510 lb
 0 lb
 0 lb
 0 lb
 0 lb
 Structure Total: 6477 lb

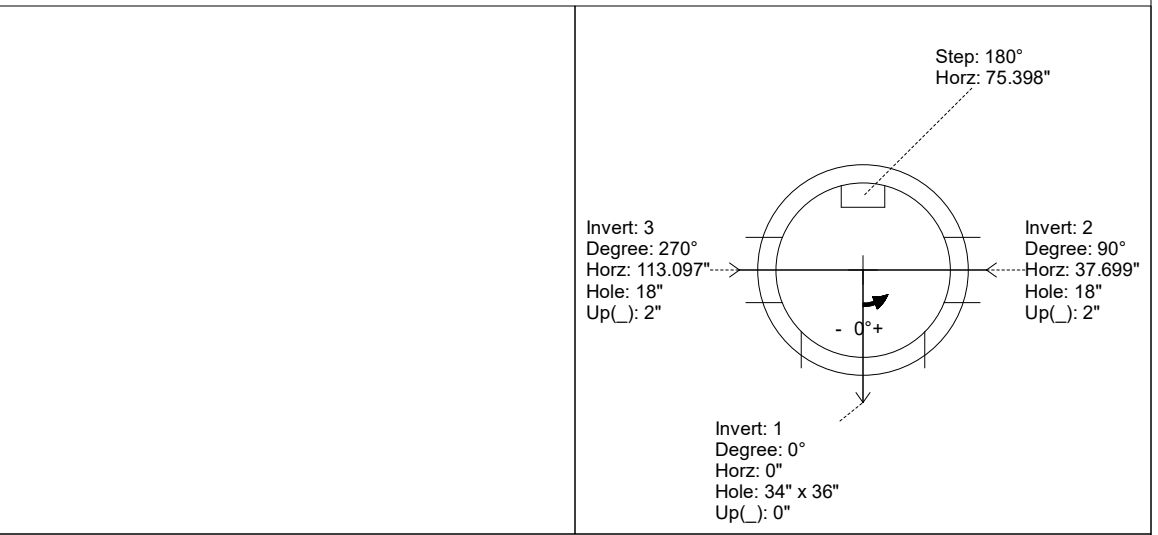
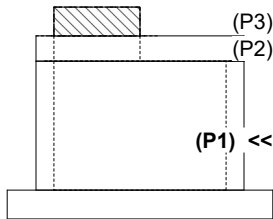
- Structure Notes:**
 STATION: 0+90 STORM LN B
1. PER KYTC MH B / ASTM C-478 SPECS
 2. CONCRETE: 5,000 PSI AT 28 DAYS
 3. REINFORCEMENT: PER ASTM A615
 4. STORM INVERT BY OTHERS
 5. STEPS AT 180 DEGREES
 6. KY-510 FRAME & COVER SUPPLIED BY ICAST

Rim: 415.28' Rim to Invert: 3.88' Slack: 0.56" Sump: 5" Step Position: 180°

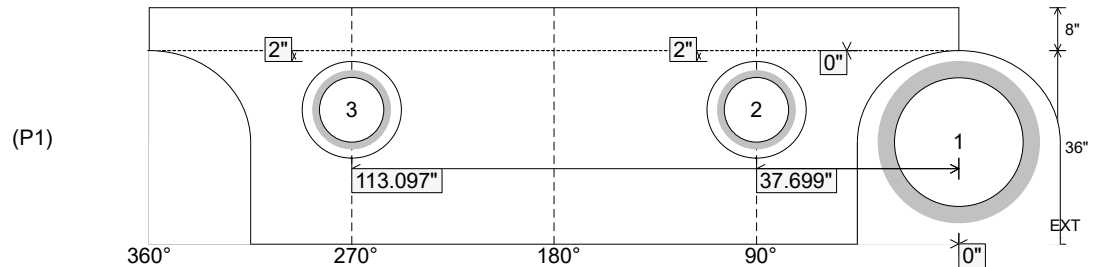
Position	Elev	Angle	Ext. (cw)	Pipe	Pipe OD	Connector	Hole	Horz Size	Up ()	Offset
Invert 1	411.4'	0°	0"	24" RCP B WALL	30"	DOGHOUSE INVRTD 34"x36"	34" x 36"	37.782"	0"	0"
Invert 2	411.4'	90°	45.553"	12" ADS N-12	14.5"	Hole 18	18"	18.451"	2"	0"
Invert 3	411.4'	270°	136.659"	12" ADS N-12	14.5"	Hole 18	18"	18.451"	2"	0"
Invert 4										
Invert 5										
Invert 6										
Invert 7										
Invert 8										

RIGHT-SIDE UP VIEW (int. dimensions)

UPSIDE-DOWN VIEW (int. dimensions)



INSIDE WALL DIMENSIONS



Coating (Int):
 Coating (Ext):

Seam Up: Flat
 Seam Dn: n/a

Wall Thickness: 5"
 Floor Height: 8"

Height (Int): 36"
 Height (Ext): 44"

Weight (Net): 4681 lb
 Volume (Net): 1.2cu.yd