

**Job Name: 24-1260 - Combined Sewer Separation Project Ph 3**  
**Job Location: Morganfield, KY 42437**  
**Contractor: Deig Bros Lumber & Construction Co, Inc.**

PC: J. Jarvis  
 TECH: K. Cardwell  
 Plant: Beaver Dam, KY



Structure ID: **STMH 0+78**  
 Spec: KYTC  
 Type: MH B (pipe recessed)  
 Size: 48"

Rim: 424.9'  
 Invert: 421.7'  
 Rim to Invert: 3.2'

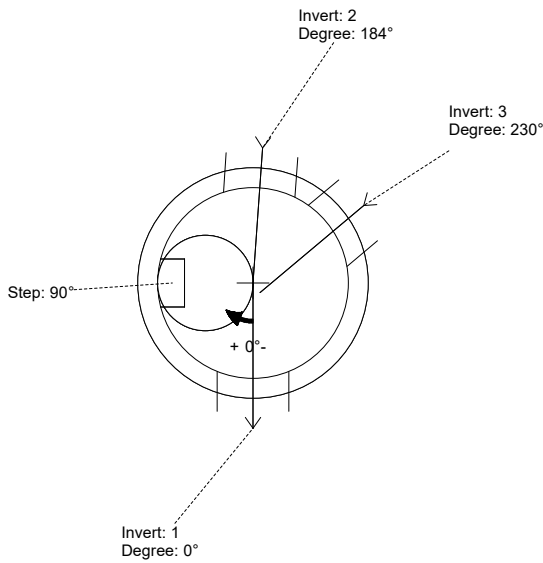
Sump: 0"  
 Floor (Top): 421.7'  
 Floor Height: 8"

Floor (Bot): 421.033'  
 Overall Height: 3.667'  
 Slack: 2.4"

**Structure Notes:**  
 STATION: 0+78 STORM LN D  
 1. PER KYTC MH B / ASTM C-478 SPECS  
 2. CONCRETE: 5,000 PSI AT 28 DAYS  
 3. REINFORCEMENT:  
 - FLAT LID: #4 BAR @ 10" C.C. E.W. (GRADE 60)  
 - BASE: PER ASTM A615  
 4. STORM INVERT BY OTHERS  
 5. STEPS AT 90 DEGREES  
 6. KY-510 FRAME & COVER SUPPLIED BY ICAST  
 7. INVERT 3 OFFSET 3" FROM CENTER

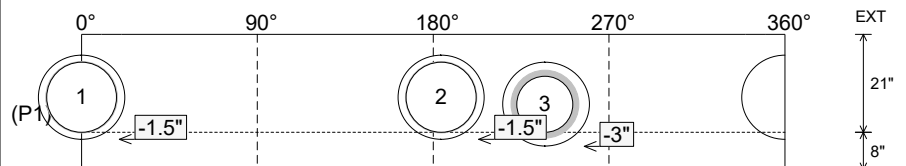
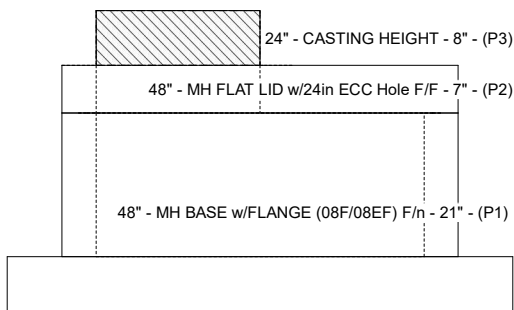
**STRUCTURE SUMMARY:**

P3) 24" - CASTING HEIGHT - 8"	0 lb
P2) 48" - MH FLAT LID w/24in ECC Hole F/F - 7"	1286 lb
P1) 48" - MH BASE w/FLANGE (08F/08EF) F/n - 21"	4026 lb
1) CASTING - HOE KY-510 F/C (KY TY.2)	510 lb
1) 48" - Conseal CS-102 1.00"	0 lb
3) Hole - 18	0 lb
2) MH Step ML-10-TDS-NCR - 10"	0 lb
<b>Structure Total:</b>	<b>5822 lb</b>



Position	Elev	Angle	Pipe	Pipe OD	Hole	Connector	Up ( )	Ref
Rim	424.9'							
Reducer								
Invert 1	421.7'	0°	15" PVC SDR35	15.3"	18"	Hole 18	-1.5"	P1
Invert 2	421.7'	184°	15" PVC SDR35	15.3"	18"	Hole 18	-1.5"	P1
Invert 3	421.7'	230°	12" ADS N-12	14.5"	18"	Hole 18	-3"	P1
Invert 4								
Invert 5								
Invert 6								
Invert 7								
Invert 8								

**Cast (Int. Dim.) - Interior Dimensions**



Submittal Drawing  
 11/6/2025 6:33:00 AM

SUBMITTAL  
 APPROVED BY: