

Job Name: 24-1260 - Combined Sewer Separation Project Ph 3  
 Job Location: Morganfield, KY 42437  
 Contractor: Deig Bros Lumber & Construction Co, Inc.

Plant: Beaver Dam, KY  
 11/5/2025 2:08:30 PM

Tech: K. Cardwell  
 PC: J. Jarvis



**Structure ID: STMH 0+78**

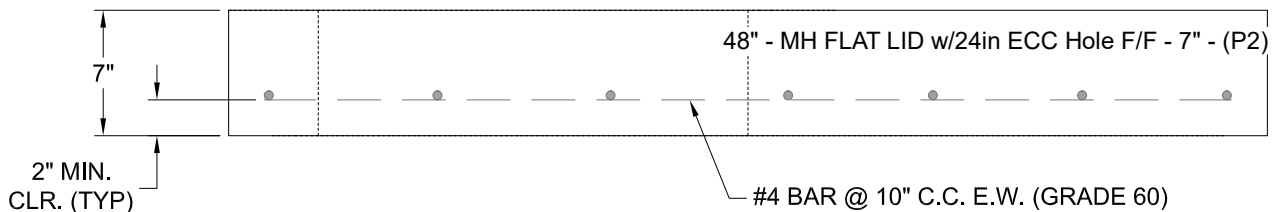
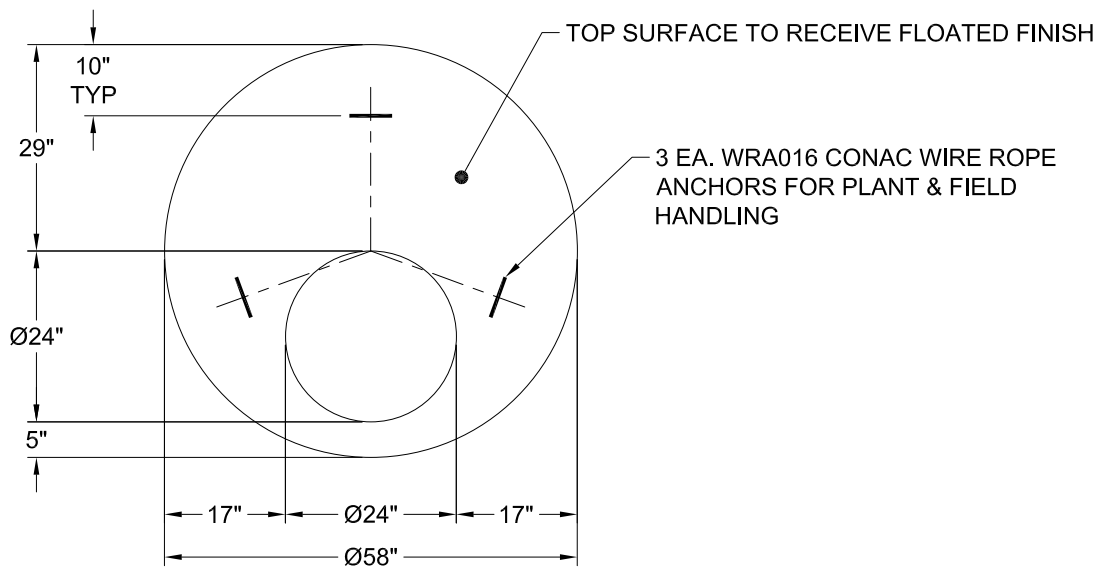
**P2 MH048LD07ECC**

**MH FLAT LID w/24in ECC Hole F/F**

- P3) 24" - CASTING HEIGHT - 8"
- P2) 48" - MH FLAT LID w/24in ECC Hole F/F - 7"
- P1) 48" - MH BASE w/FLANGE (08F/08EF) F/n - 21"
- 1) CASTING - HOE KY-510 F/C (KY TY.2)
- 1) 48" - Conseal CS-102 1.00"
- 3) Hole - 18"
- 2) MH Step ML-10-TDS-NCR - 10"

	0 lb
	1286 lb
	4026 lb
	510 lb
	0 lb
	0 lb
	0 lb
Structure Total:	5822 lb

- Structure Notes:  
 STATION: 0+78 STORM LN D
1. PER KYTC MH B / ASTM C-478 SPECS
  2. CONCRETE: 5,000 PSI AT 28 DAYS
  3. REINFORCEMENT: #4 BAR @ 10" C.C. E.W. (GRADE 60) - 2" MIN. REBAR CLEARANCE (TYP)
  4. STORM INVERT BY OTHERS
  5. STEPS AT 90 DEGREES
  6. KY-510 FRAME & COVER SUPPLIED BY ICAST
  7. LIFTERS: 3 EA. WRA016 CONAC WIRE ROPE ANCHORS FOR PLANT & FIELD HANDLING



Coating (Int): Coating (Ext):	Seam Up: Flat Seam Dn: Flat	Wall Thickness: 5"	Height (Ext): 7"	Weight (Net): 1286 lb Volume (Net): 0.33cu.yd
----------------------------------	--------------------------------	--------------------	------------------	--